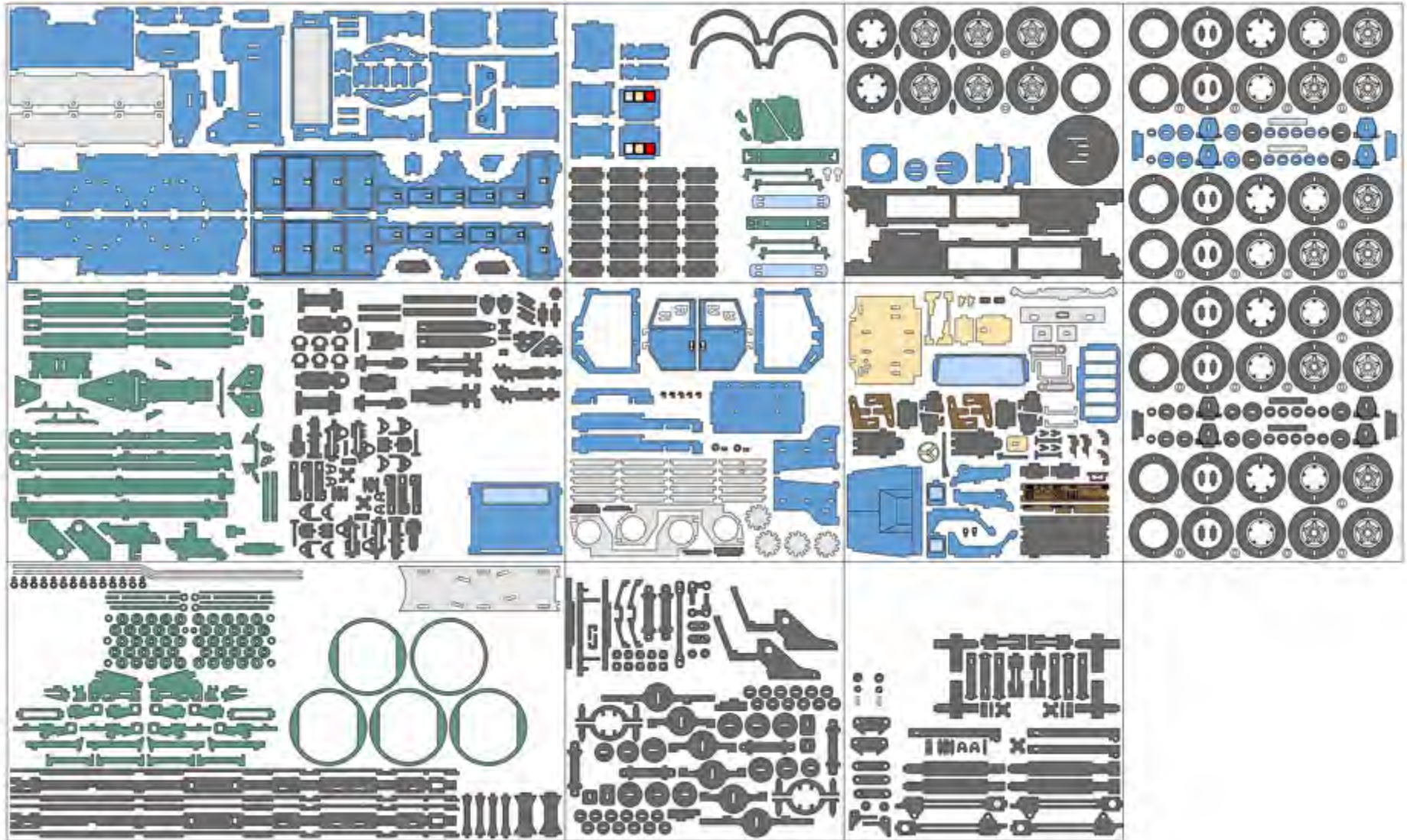




**HEAVY TOW TRUCK**





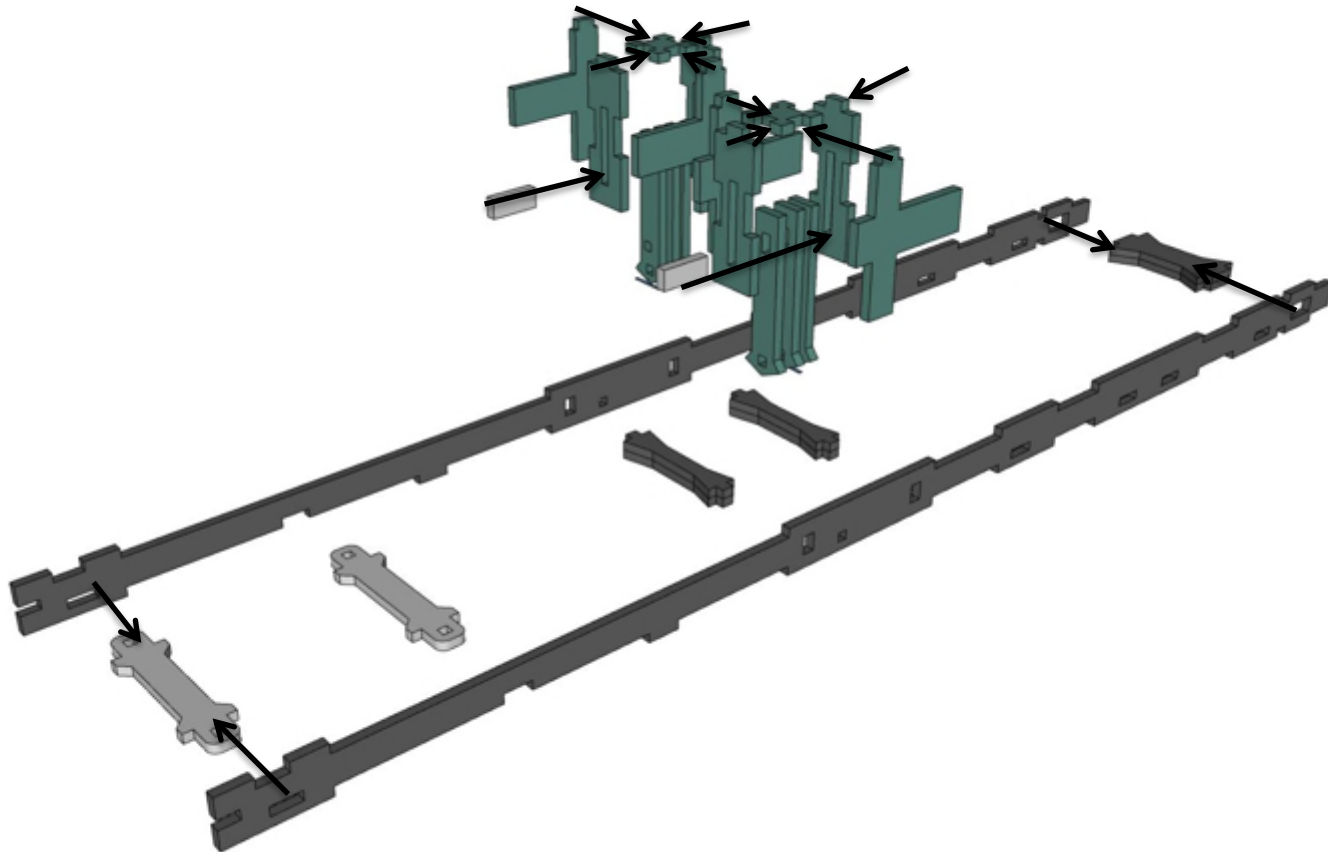
# PARTS LIST





IT IS RECOMMENDED TO GO THROUGH ALL THE PAGES  
AND SEE EACH STEP BEFORE STARTING THE ASSEMBLY

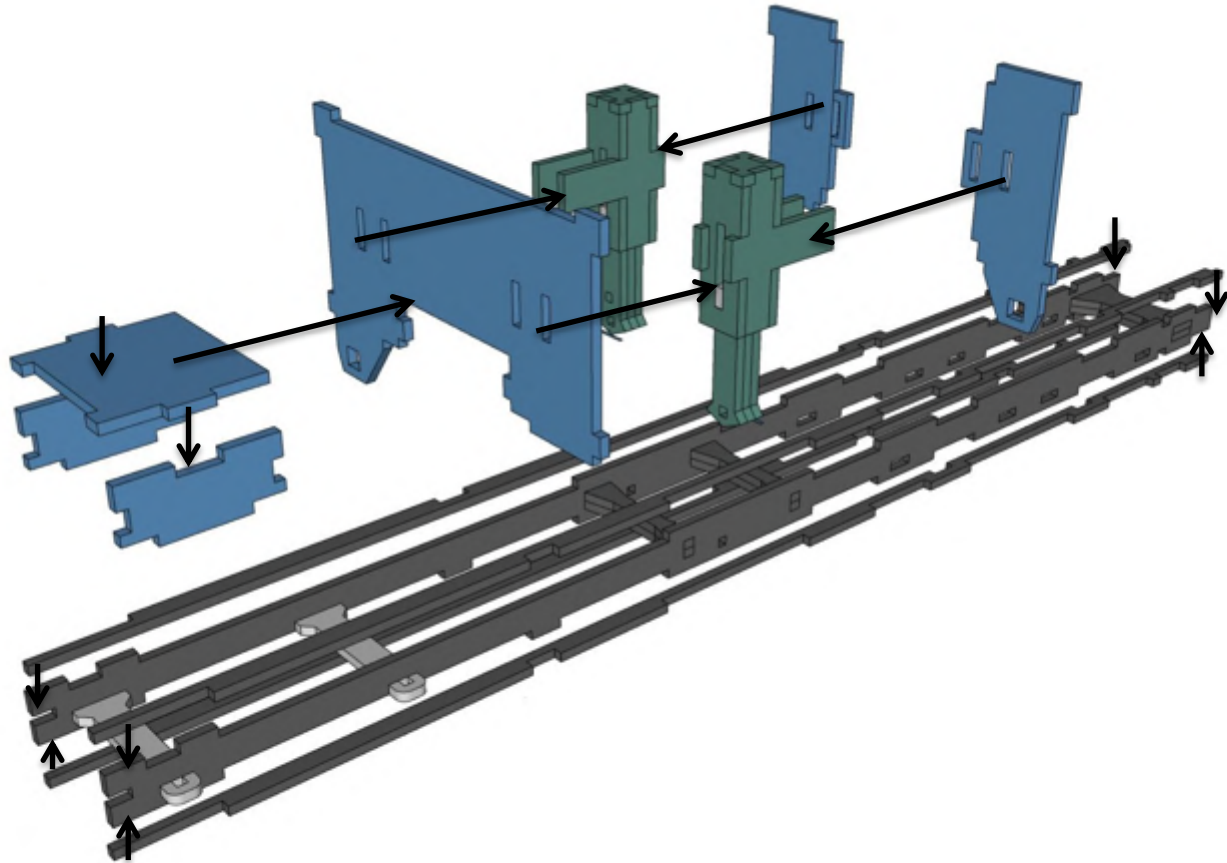
**makeCNC**



**ASSEMBLY STEPS**

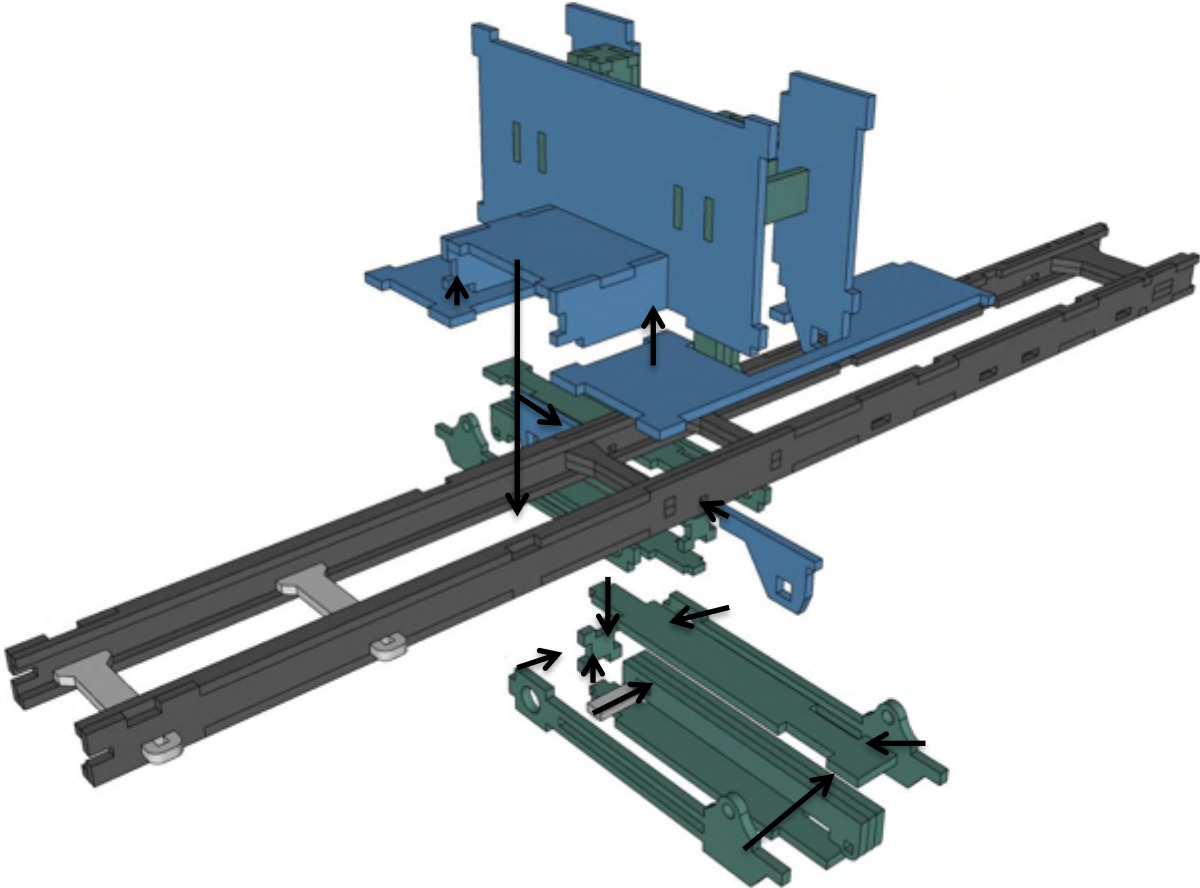


[www.makecnc.com](http://www.makecnc.com)



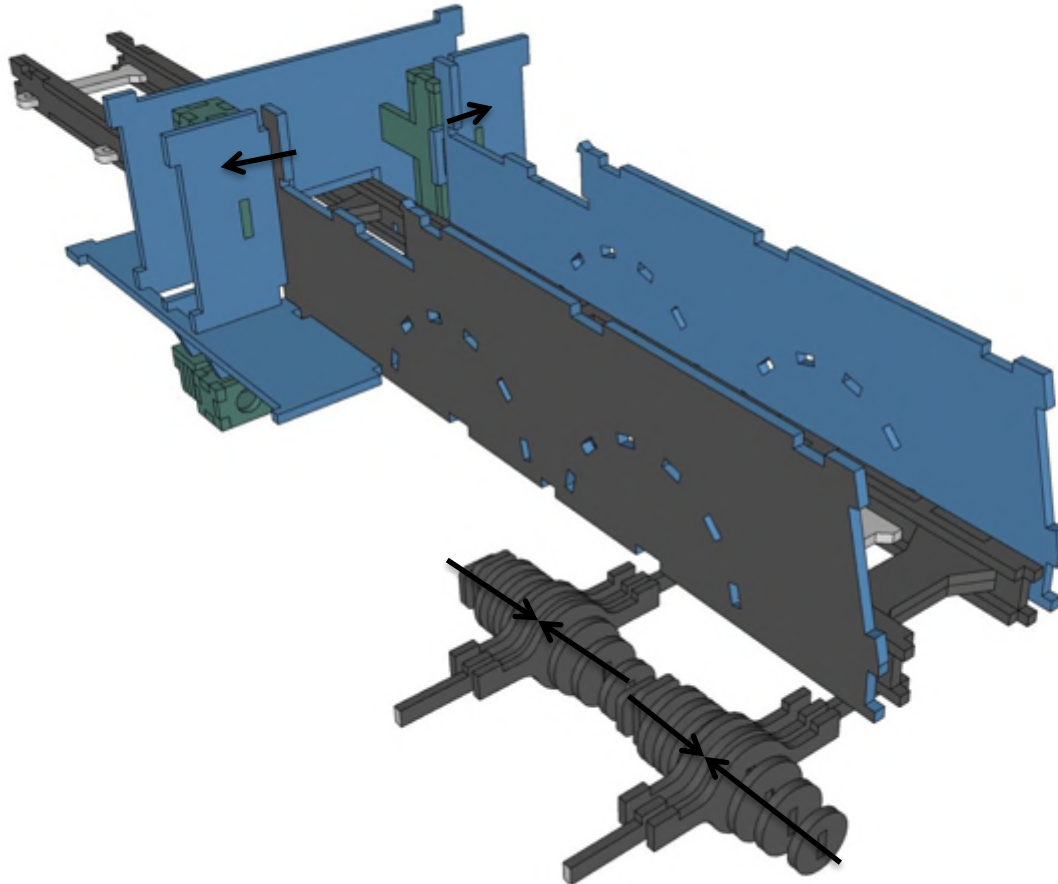
ASSEMBLY STEPS





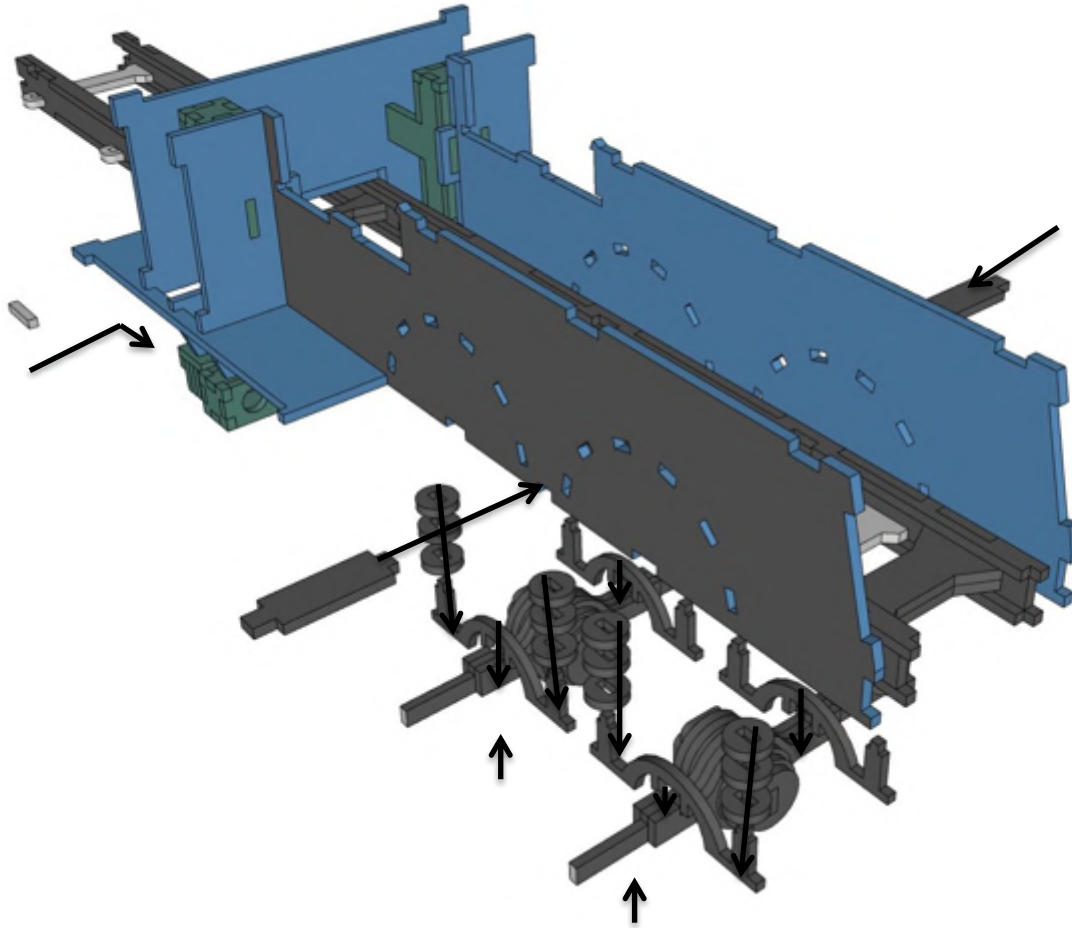
**ASSEMBLY STEPS**





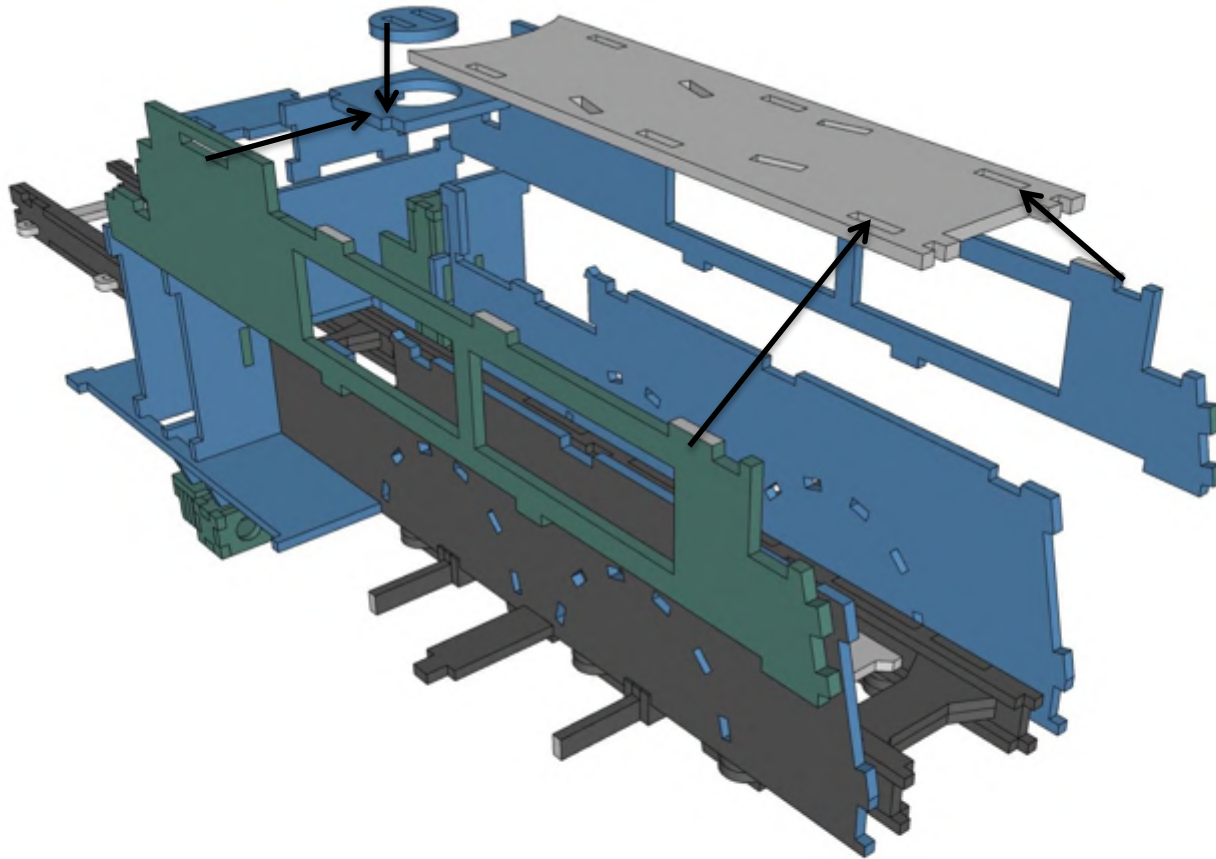
# ASSEMBLY STEPS





# ASSEMBLY STEPS

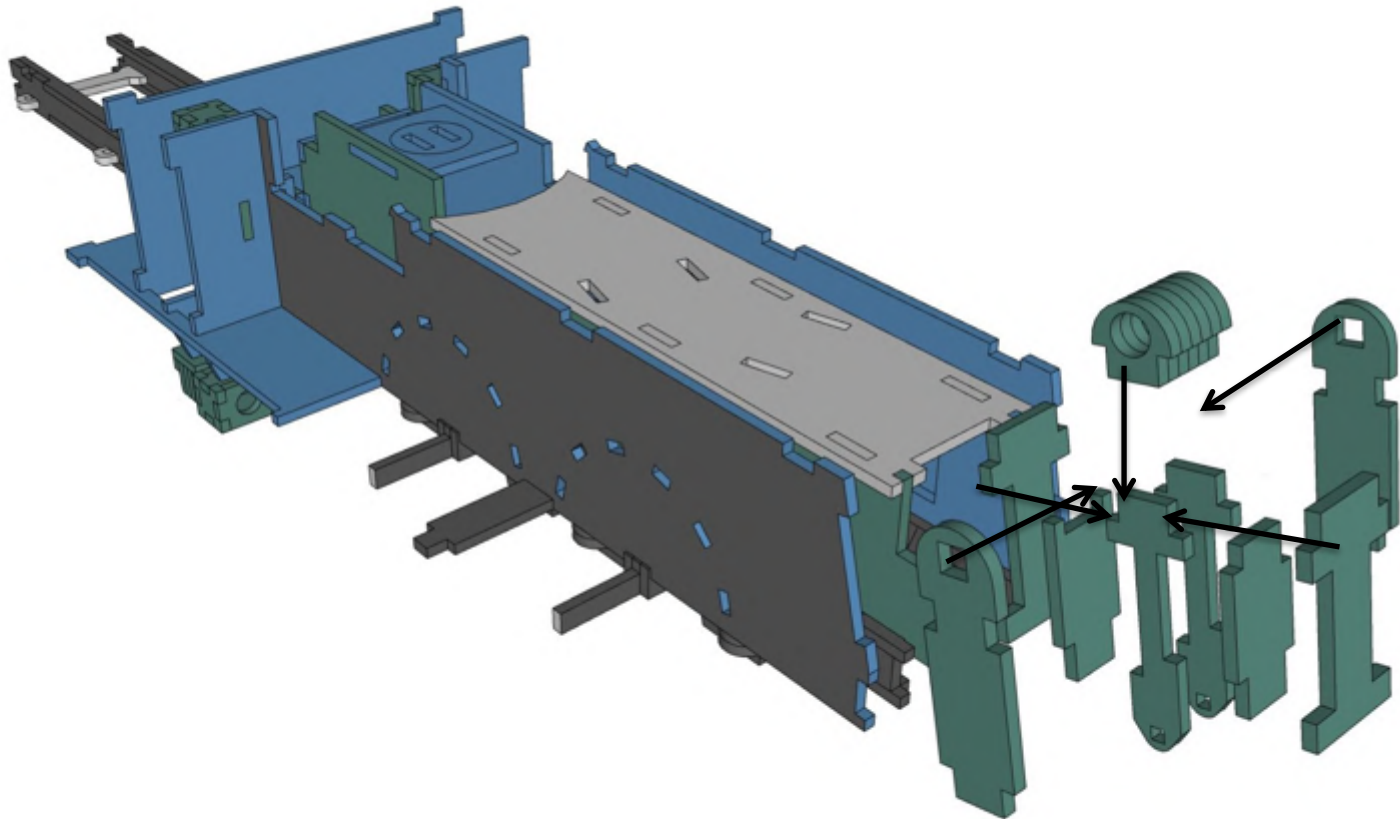




# ASSEMBLY STEPS

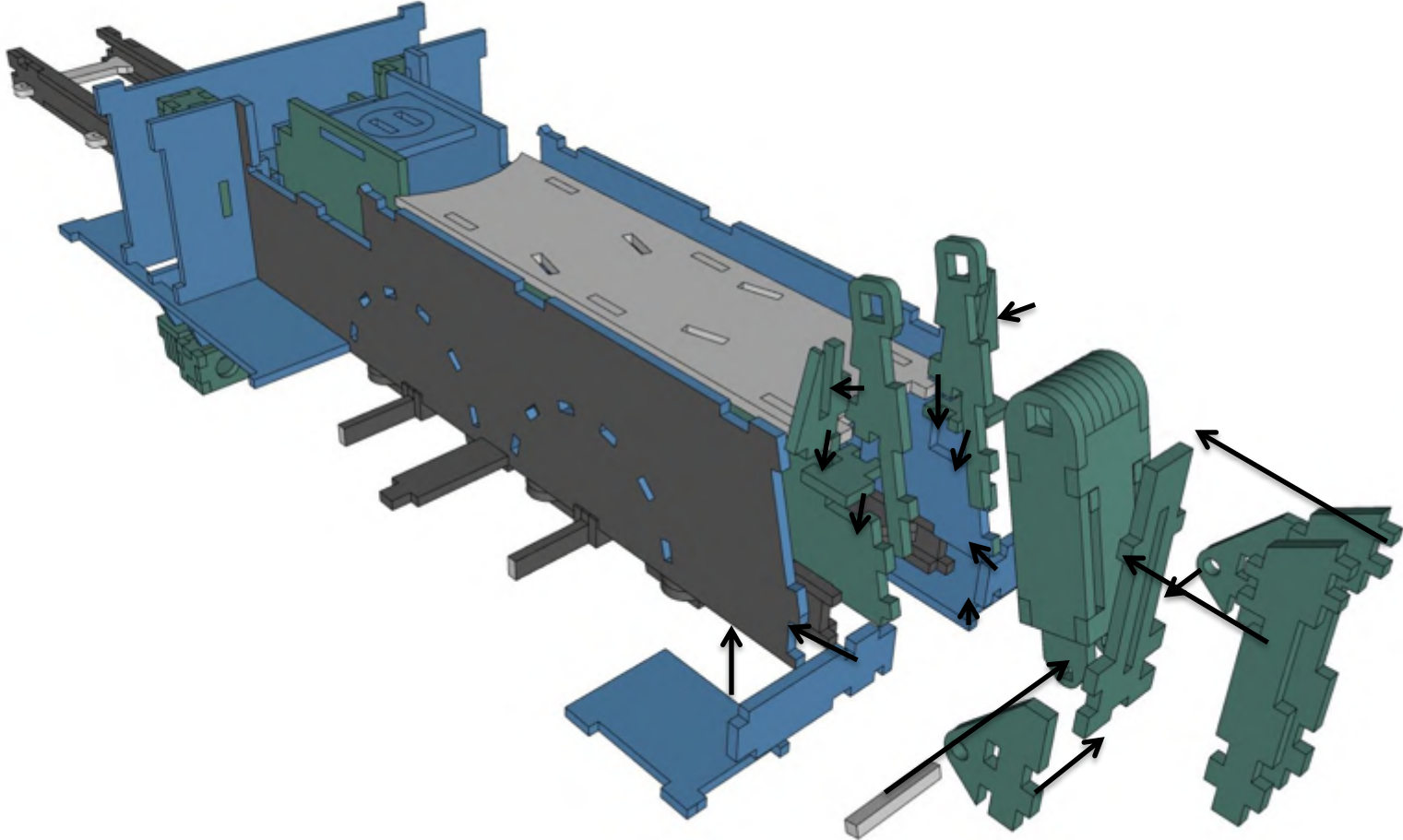






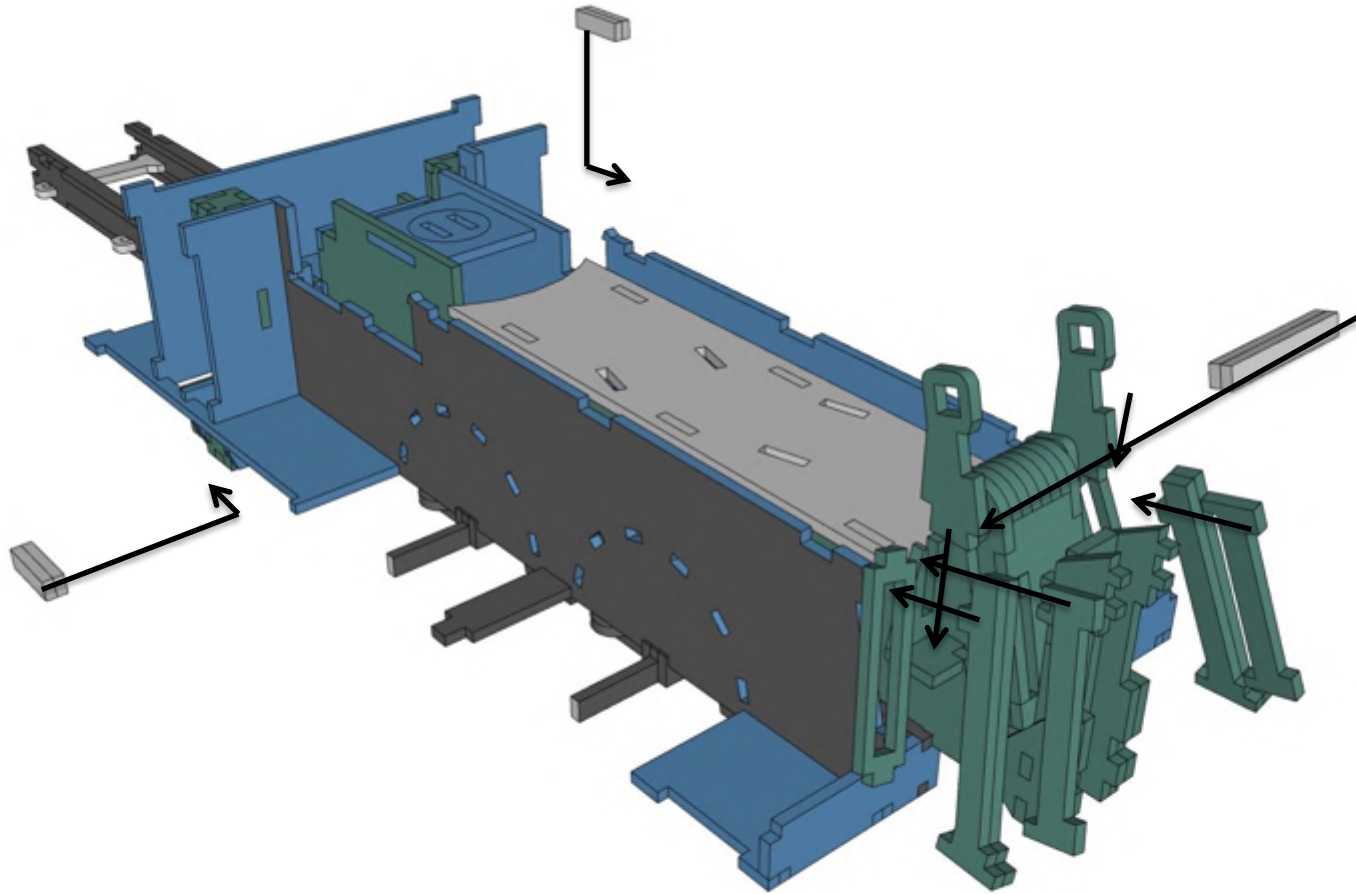
# ASSEMBLY STEPS





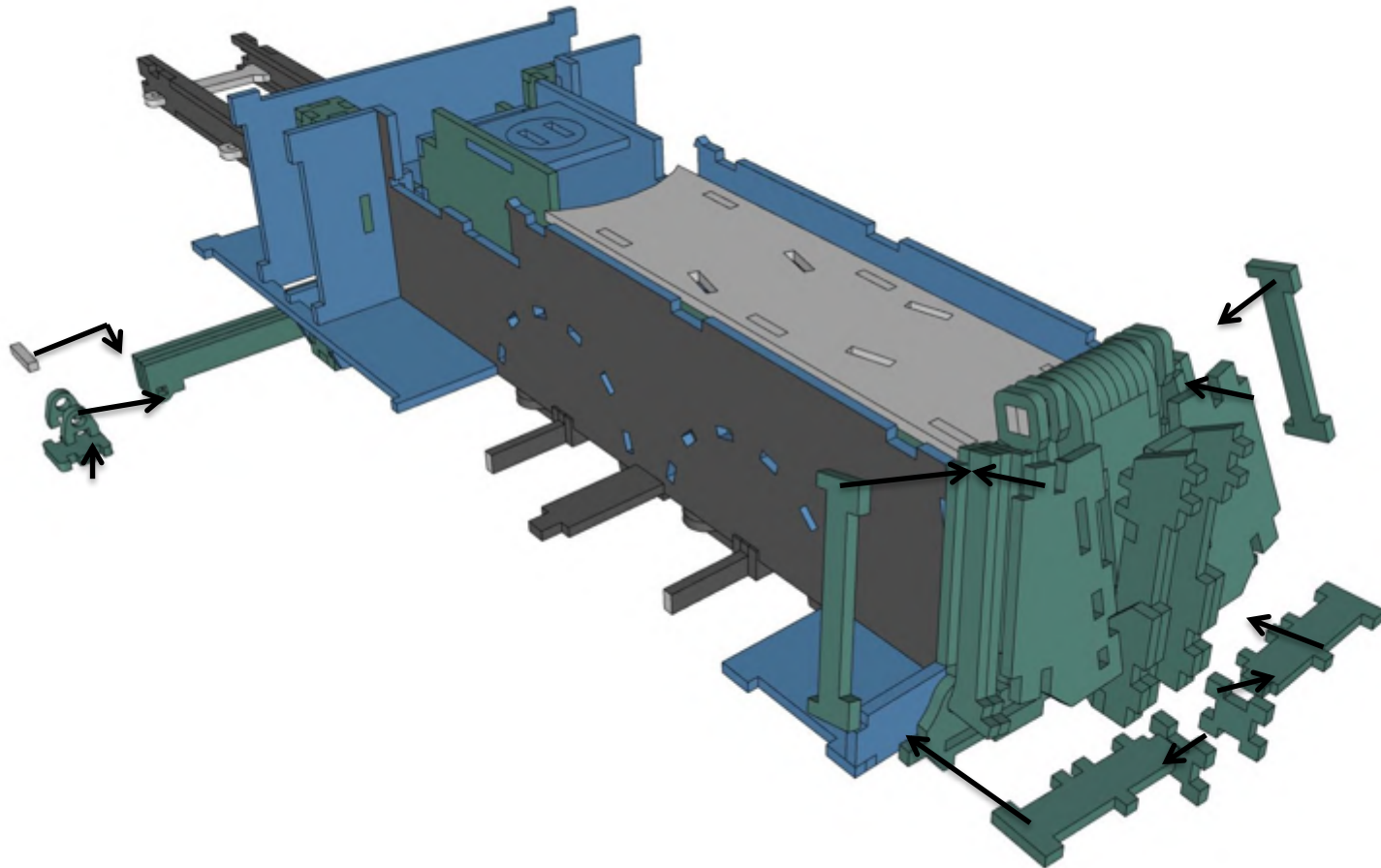
ASSEMBLY STEPS





ASSEMBLY STEPS

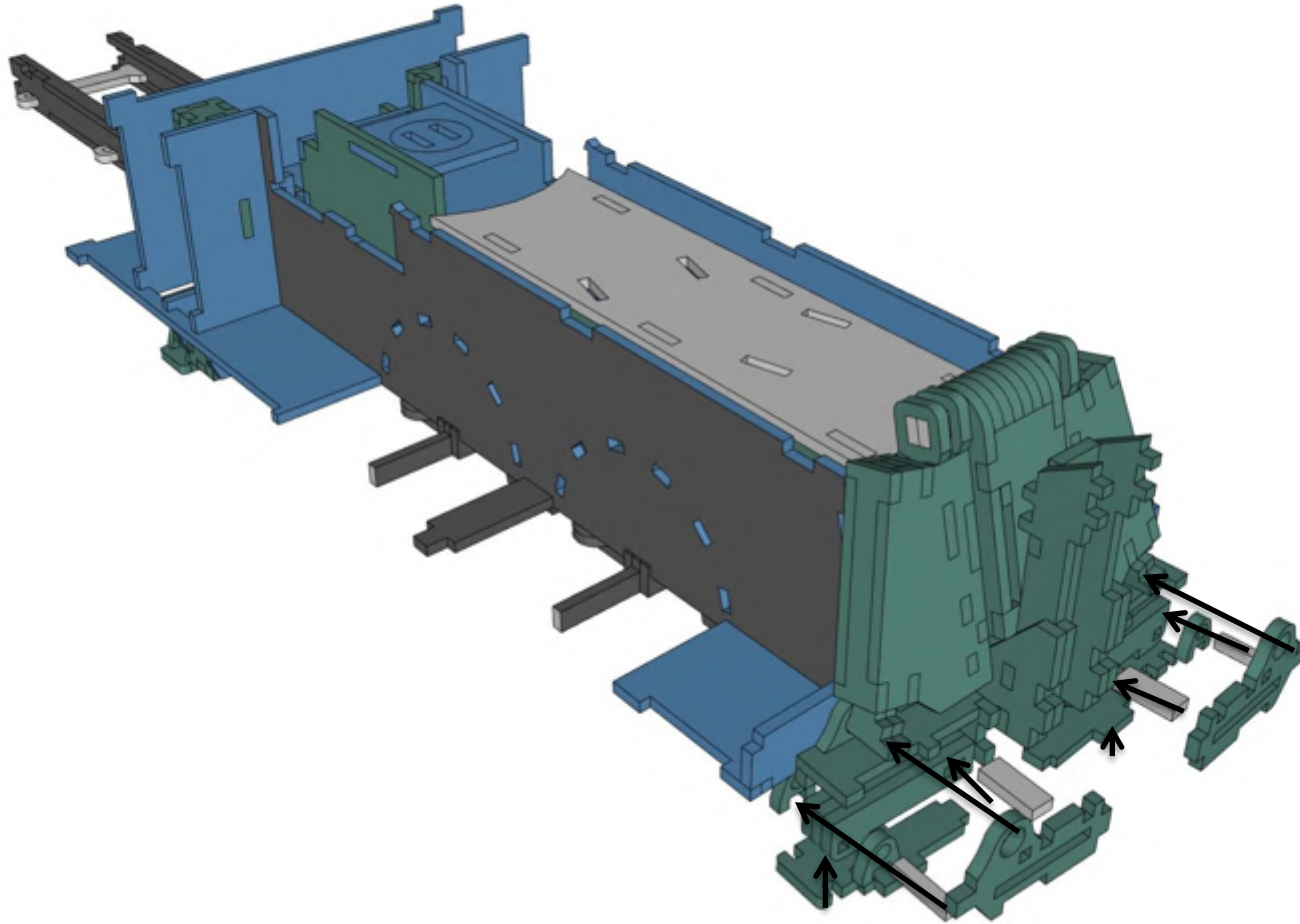




# ASSEMBLY STEPS

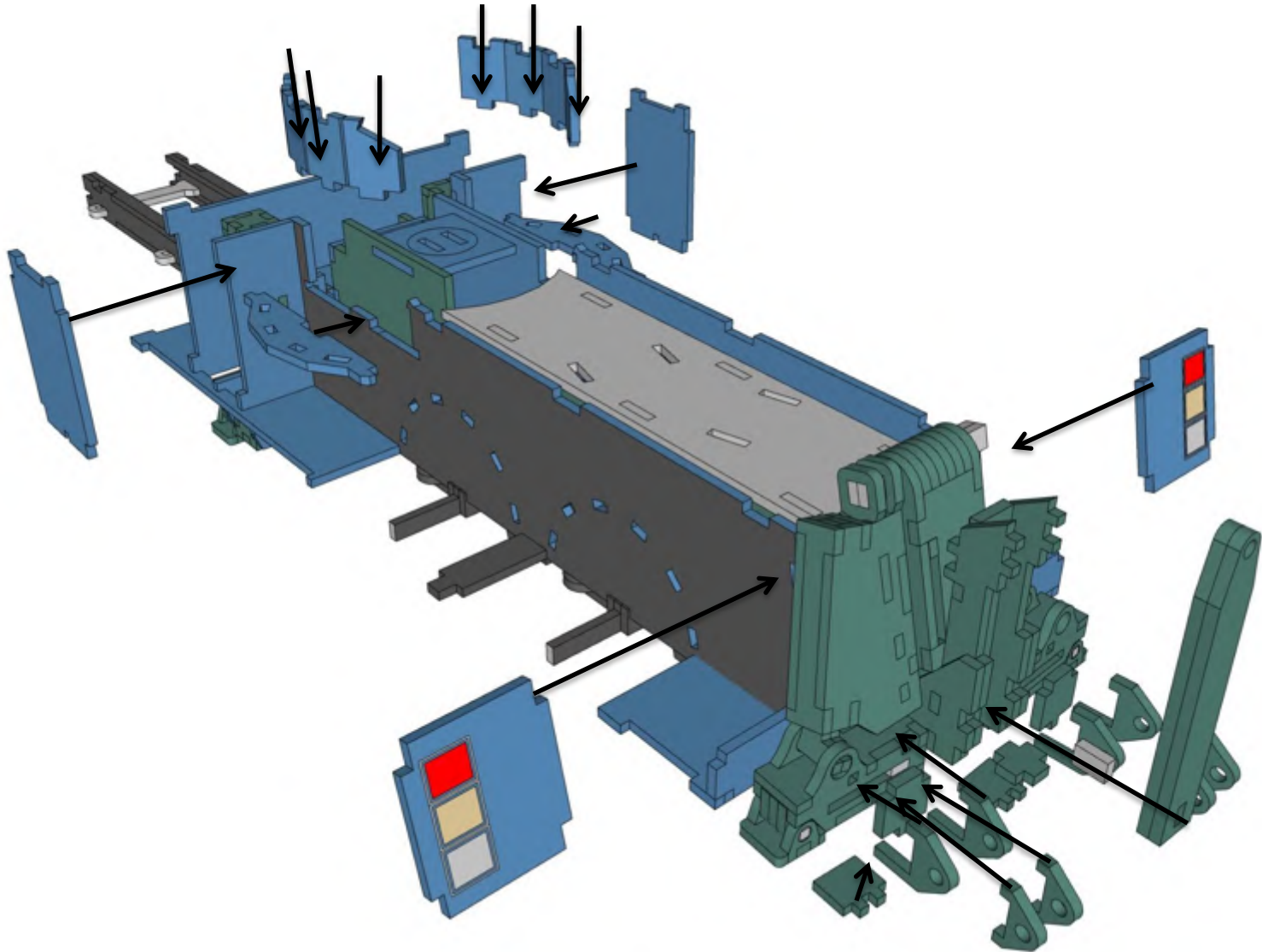






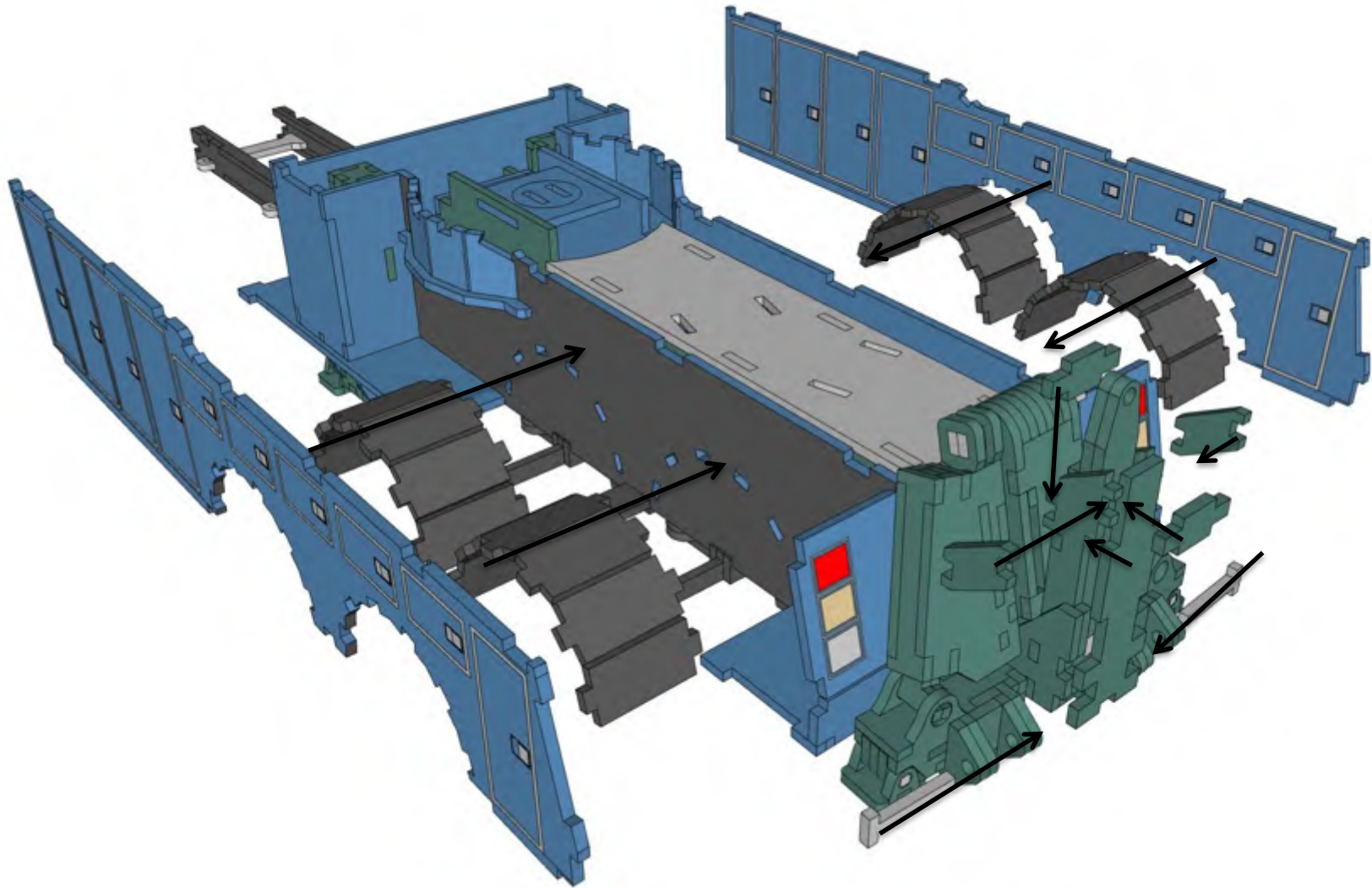
# ASSEMBLY STEPS





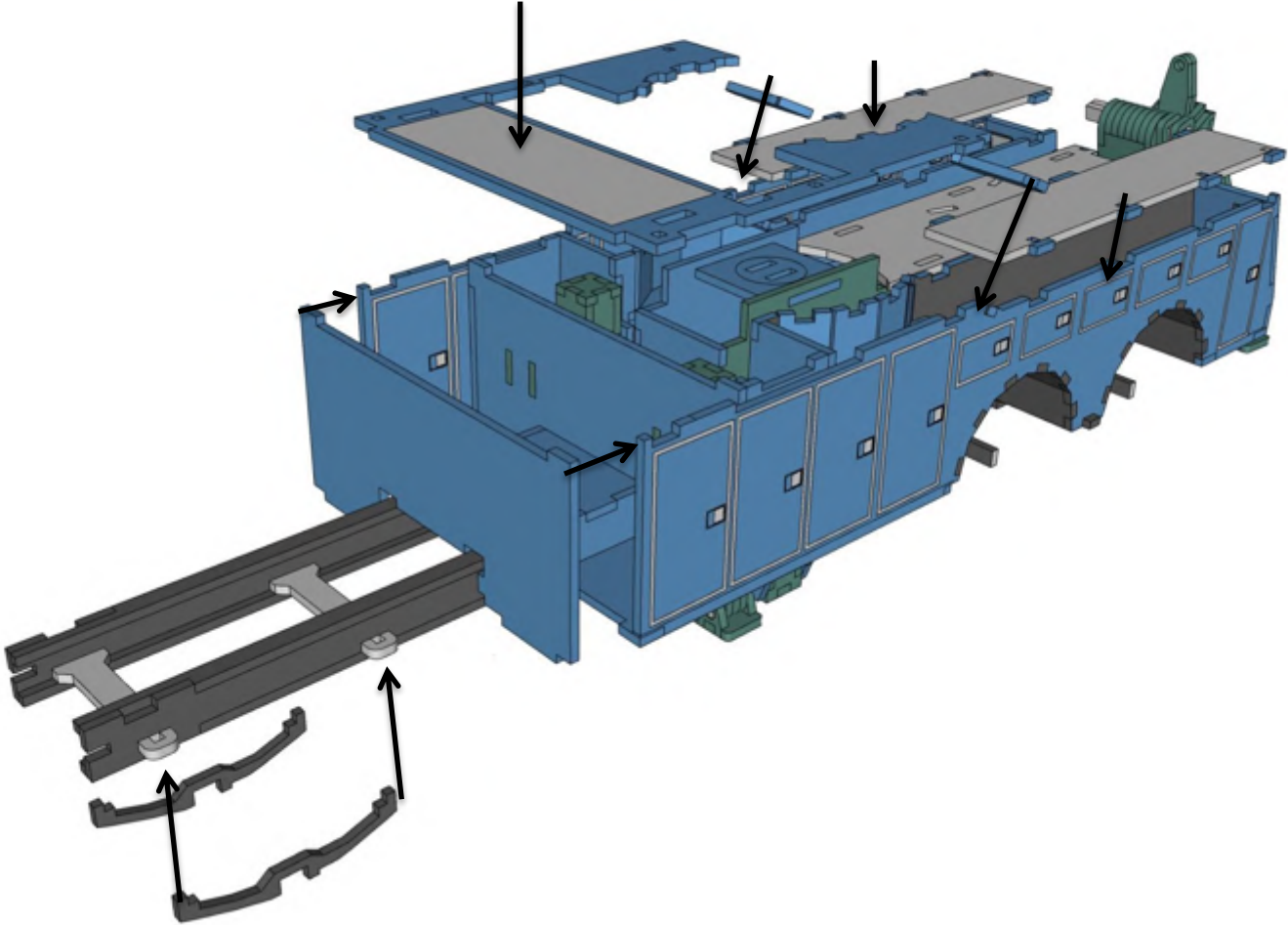
**ASSEMBLY STEPS**





# ASSEMBLY STEPS

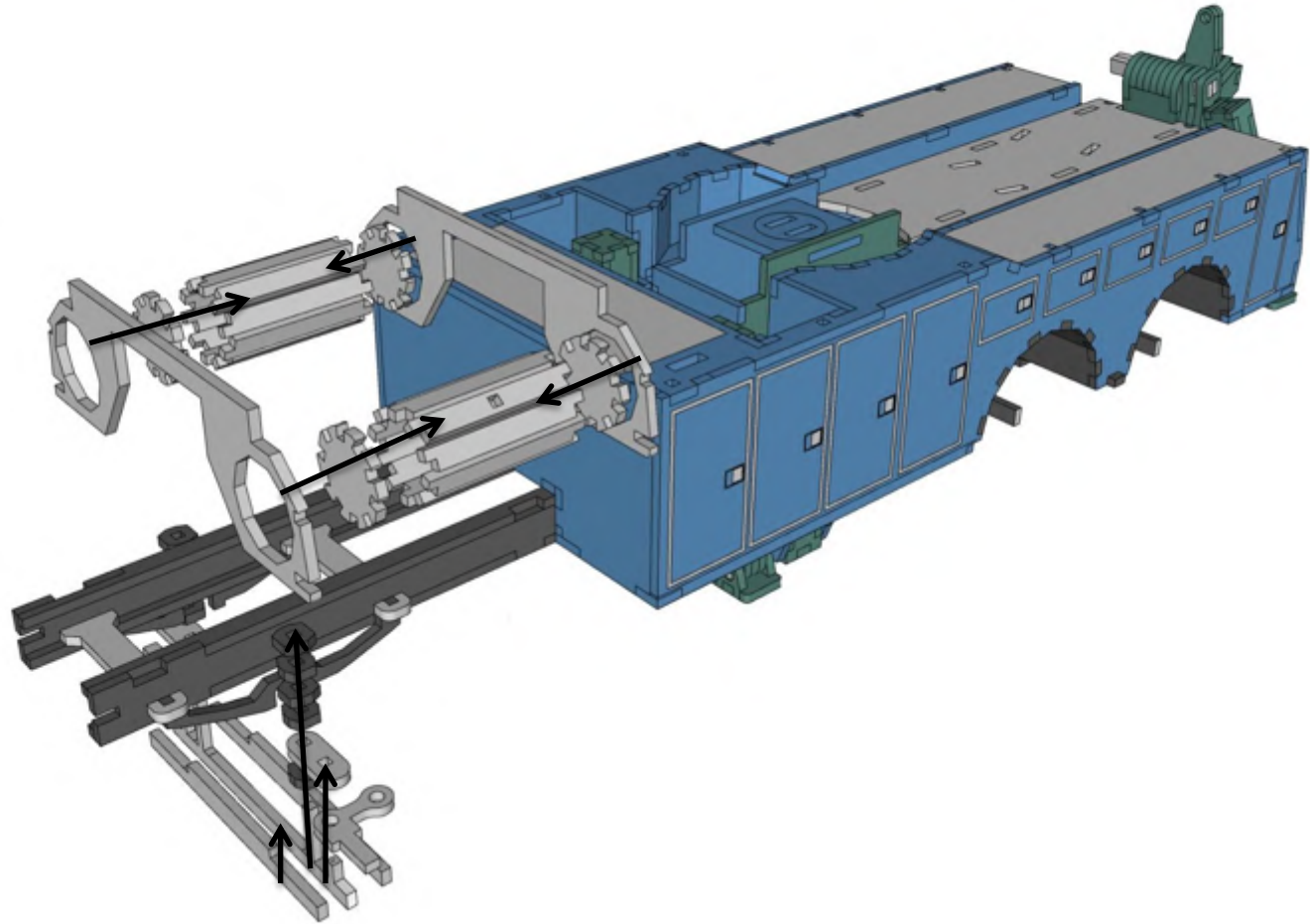




**ASSEMBLY STEPS**

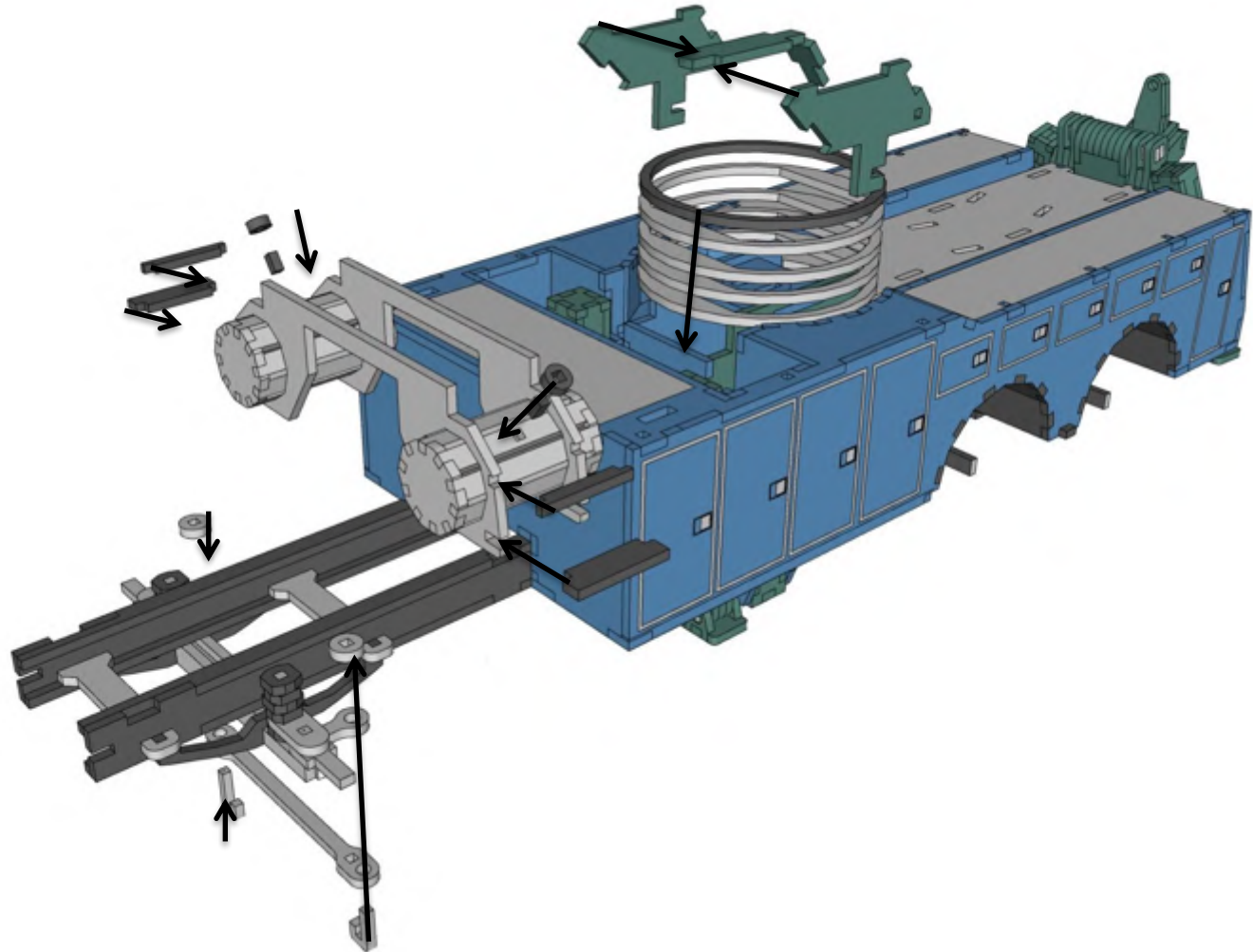






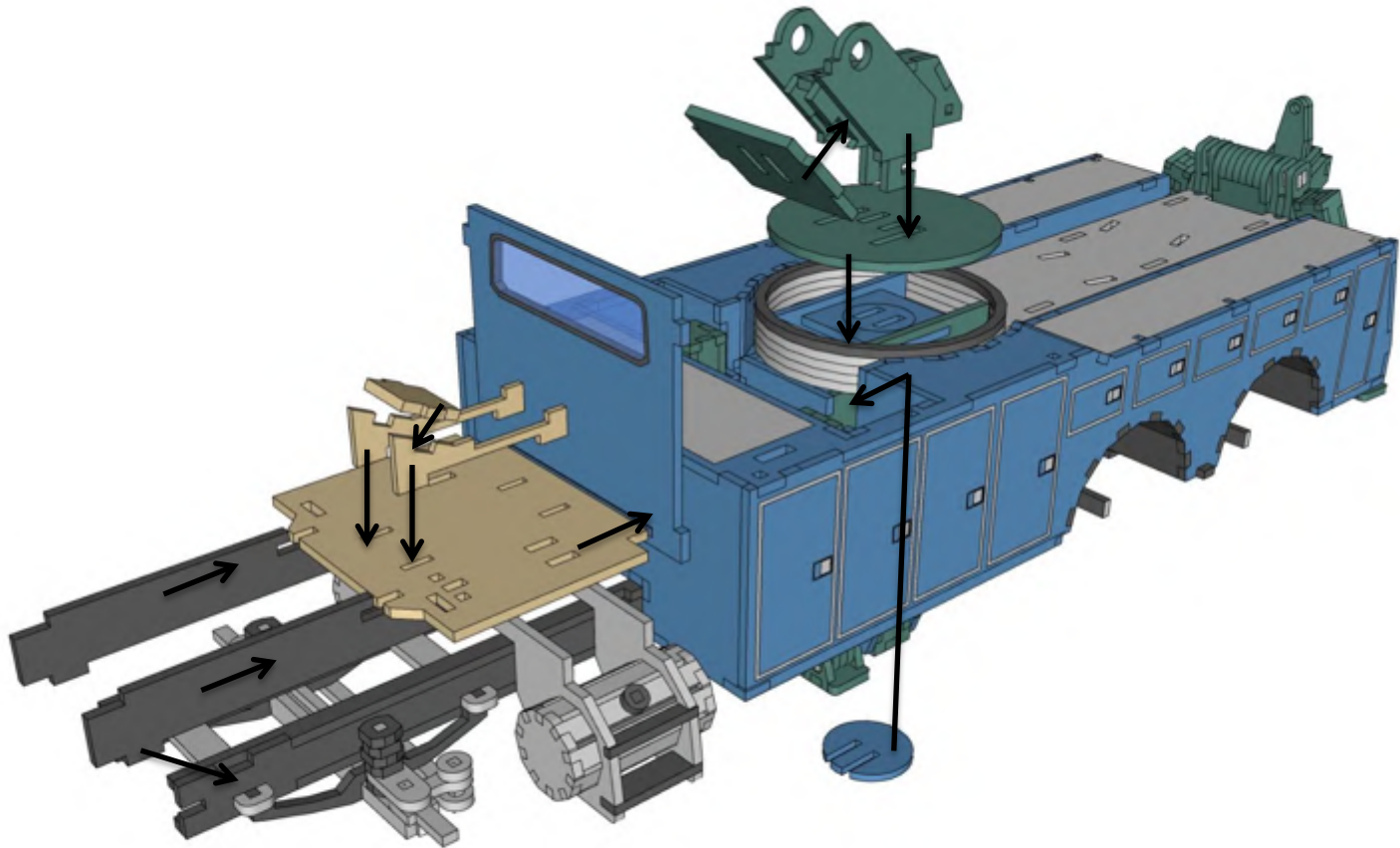
# ASSEMBLY STEPS





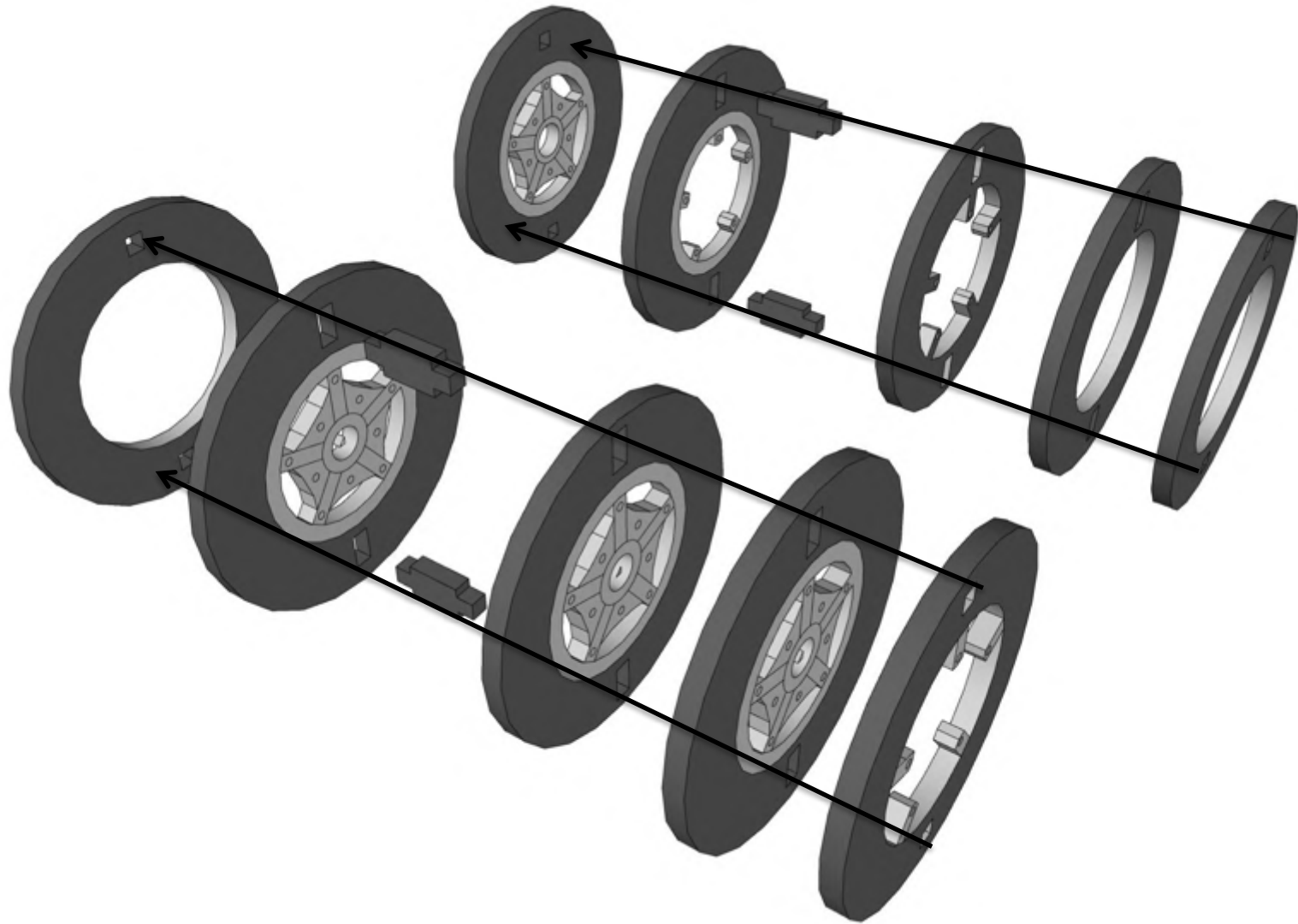
# ASSEMBLY STEPS





# ASSEMBLY STEPS

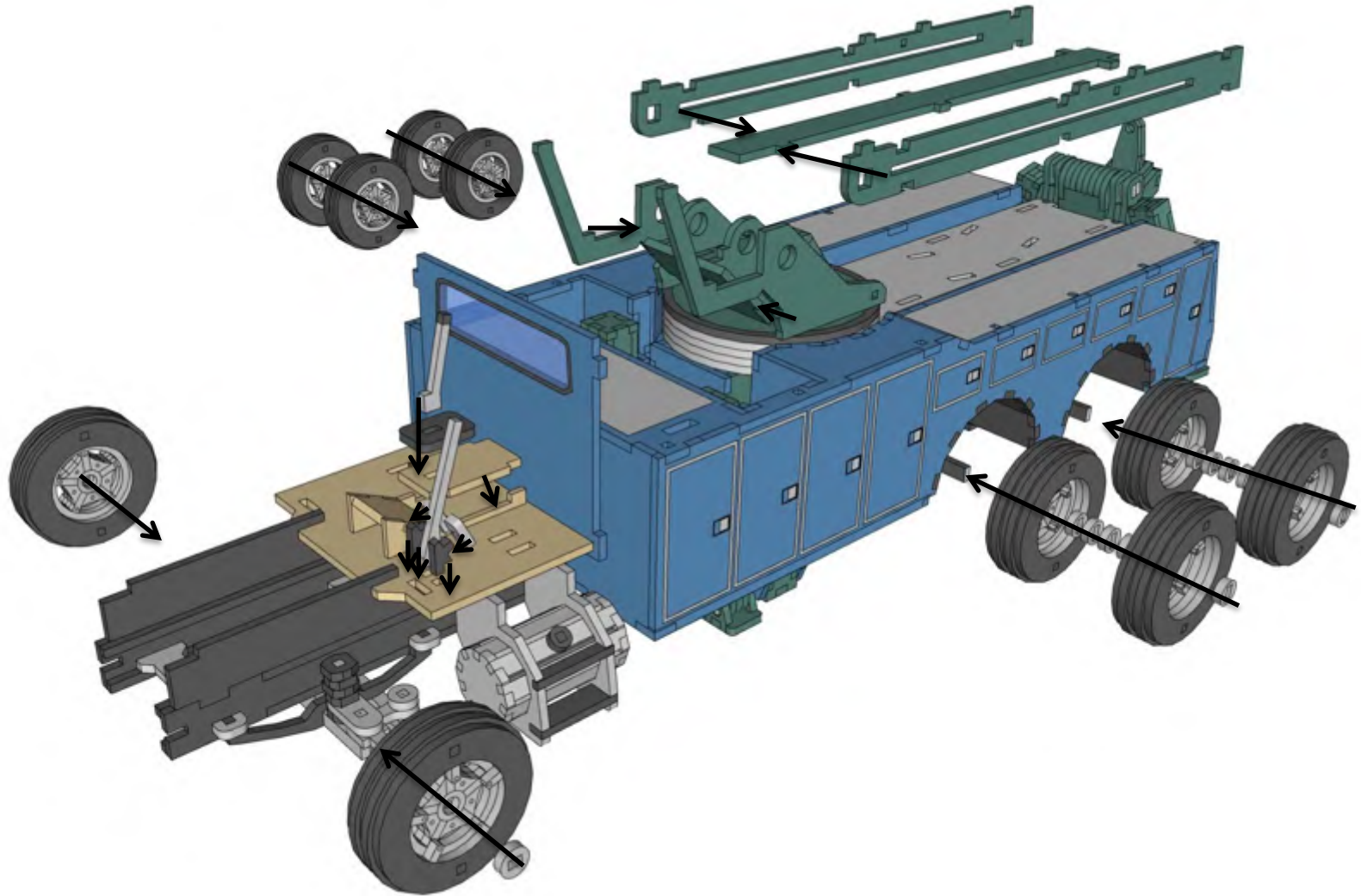




# ASSEMBLY STEPS

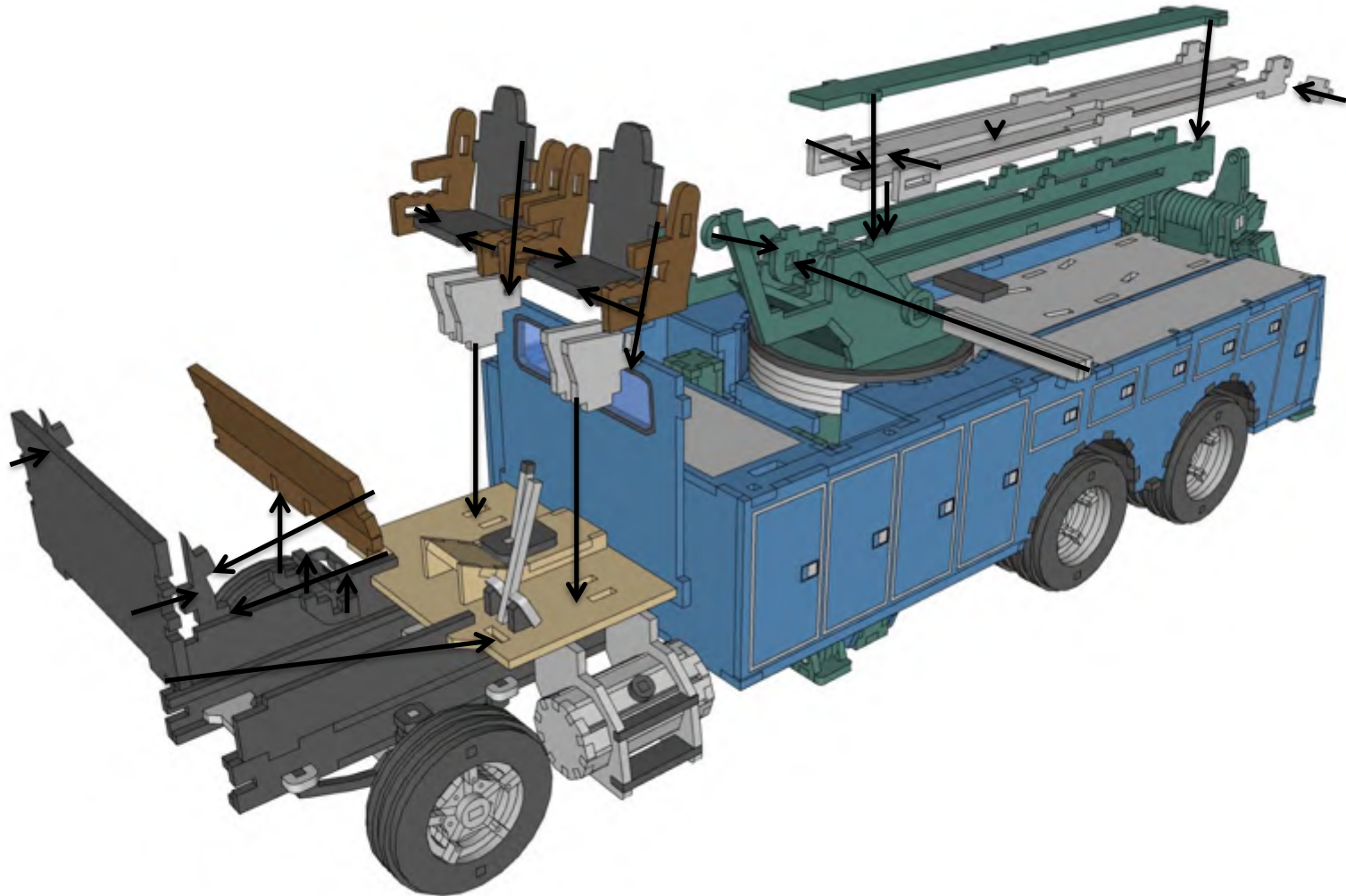






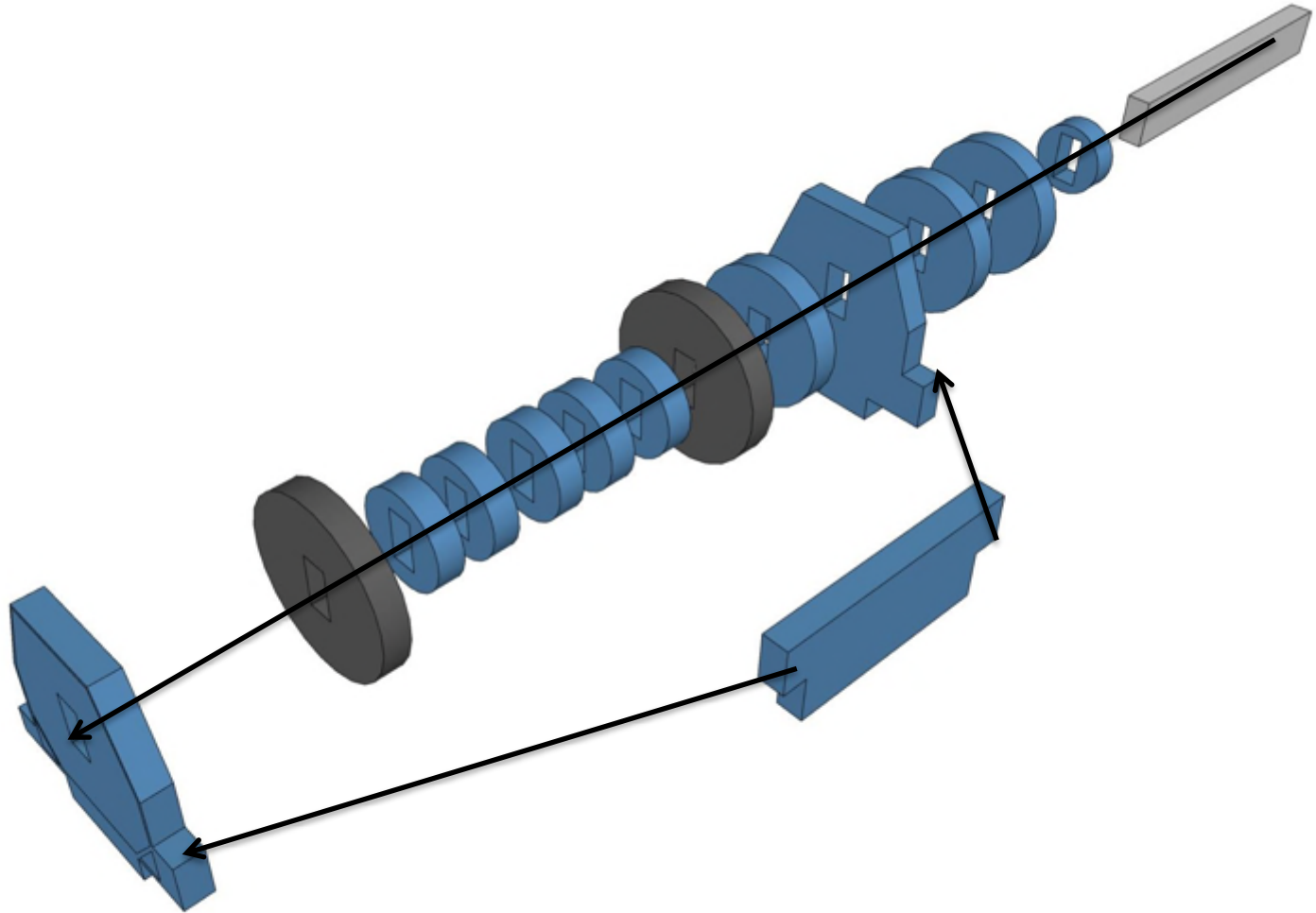
# ASSEMBLY STEPS





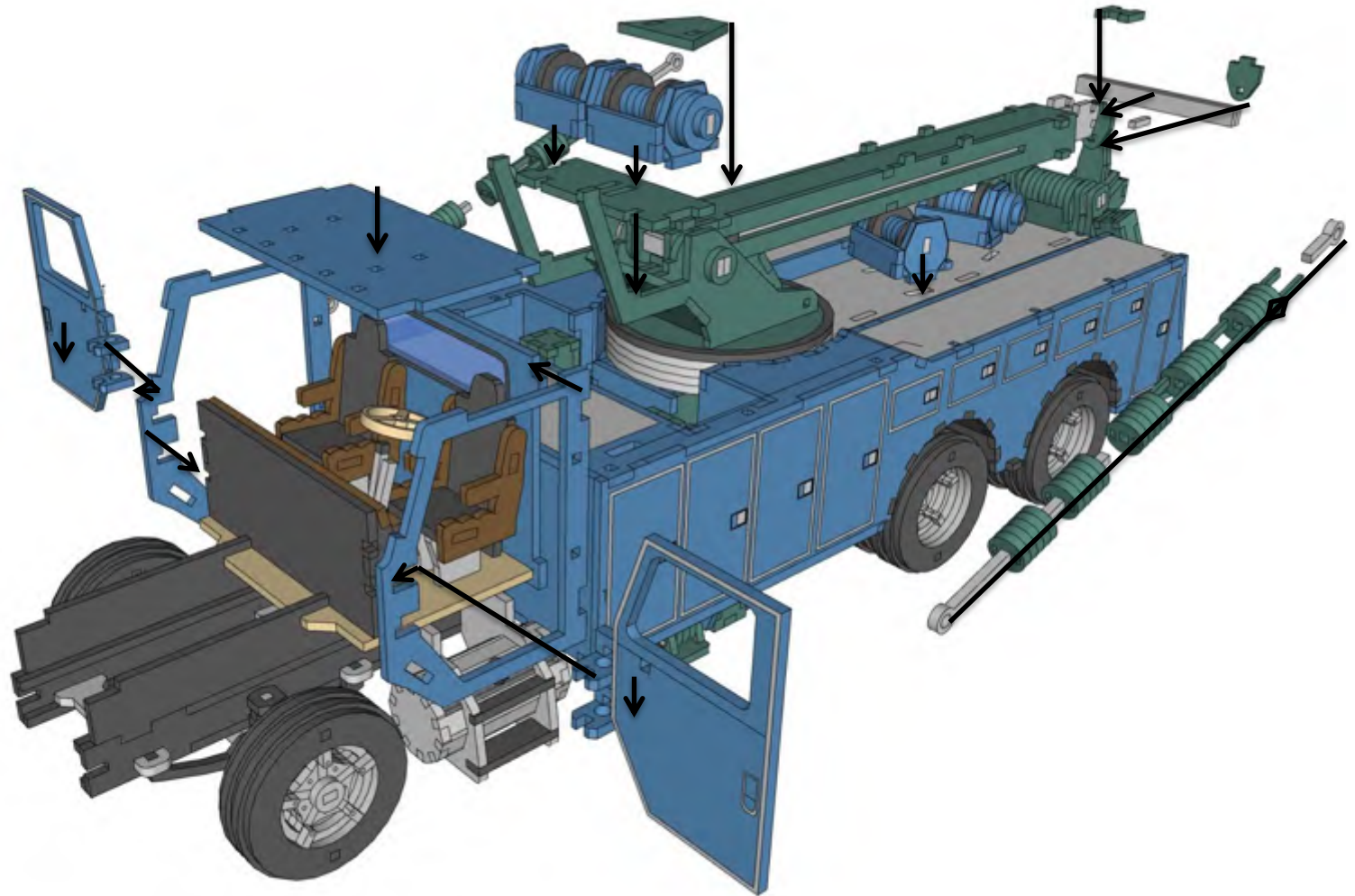
# ASSEMBLY STEPS





# ASSEMBLY STEPS

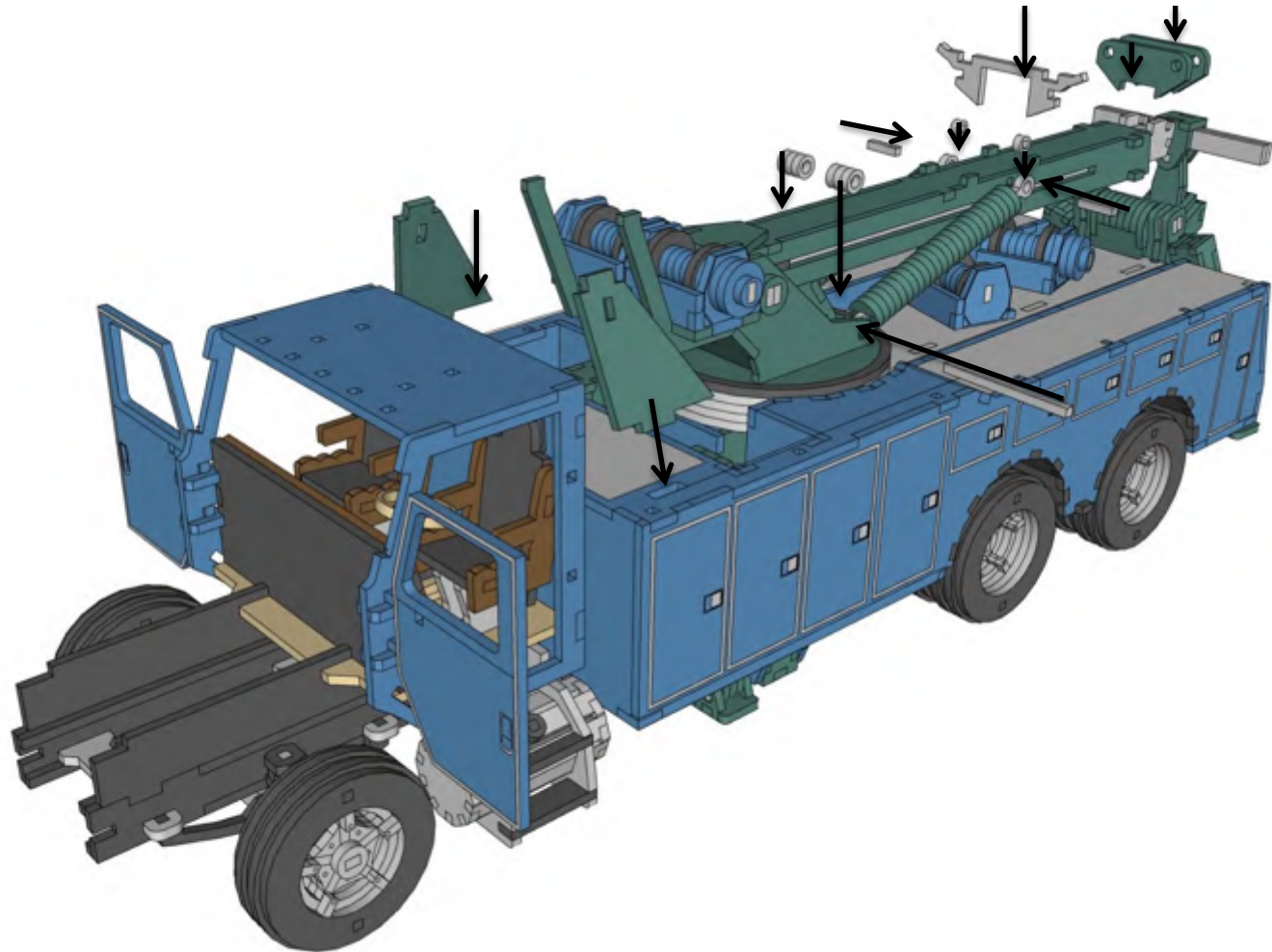




# ASSEMBLY STEPS

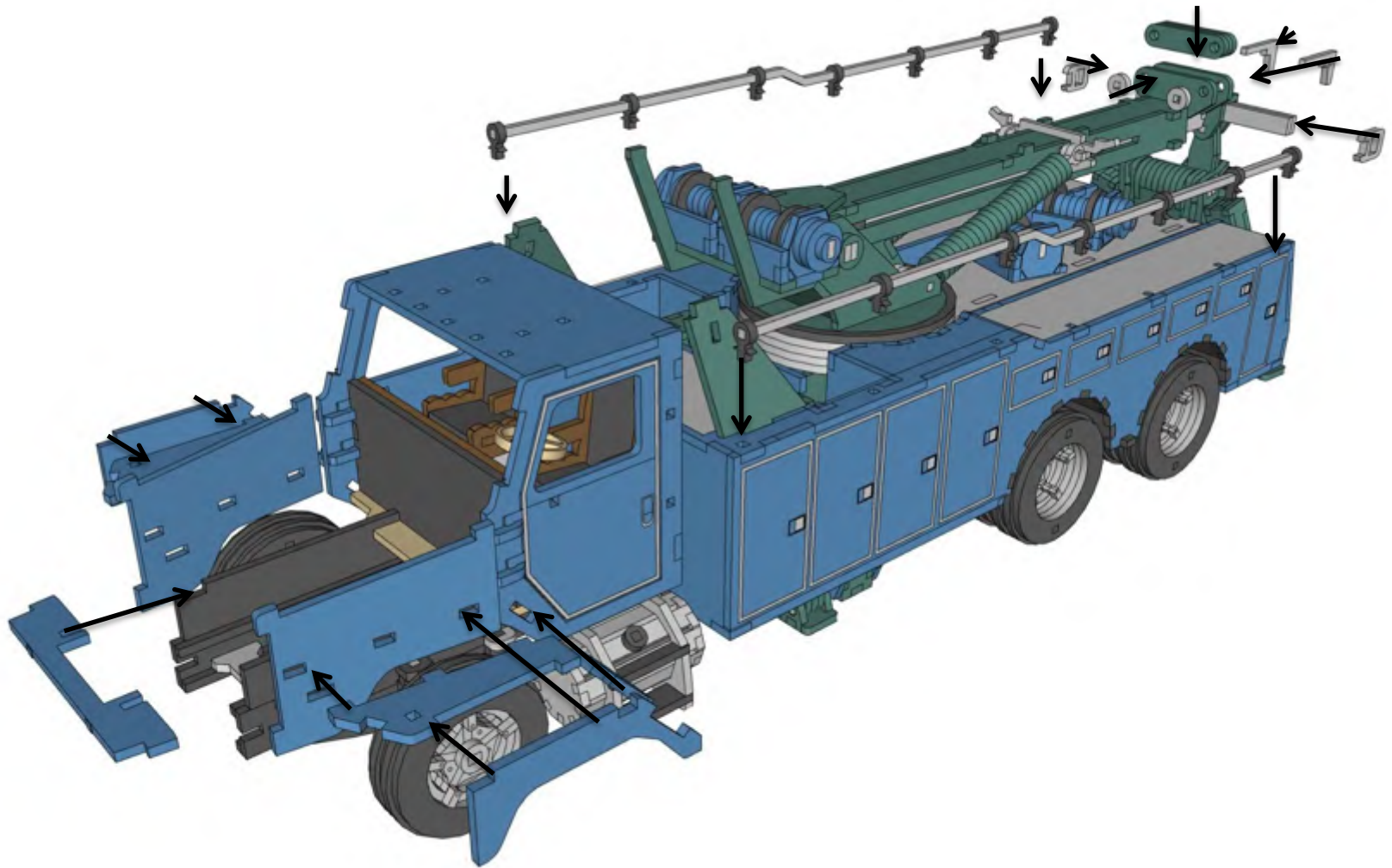






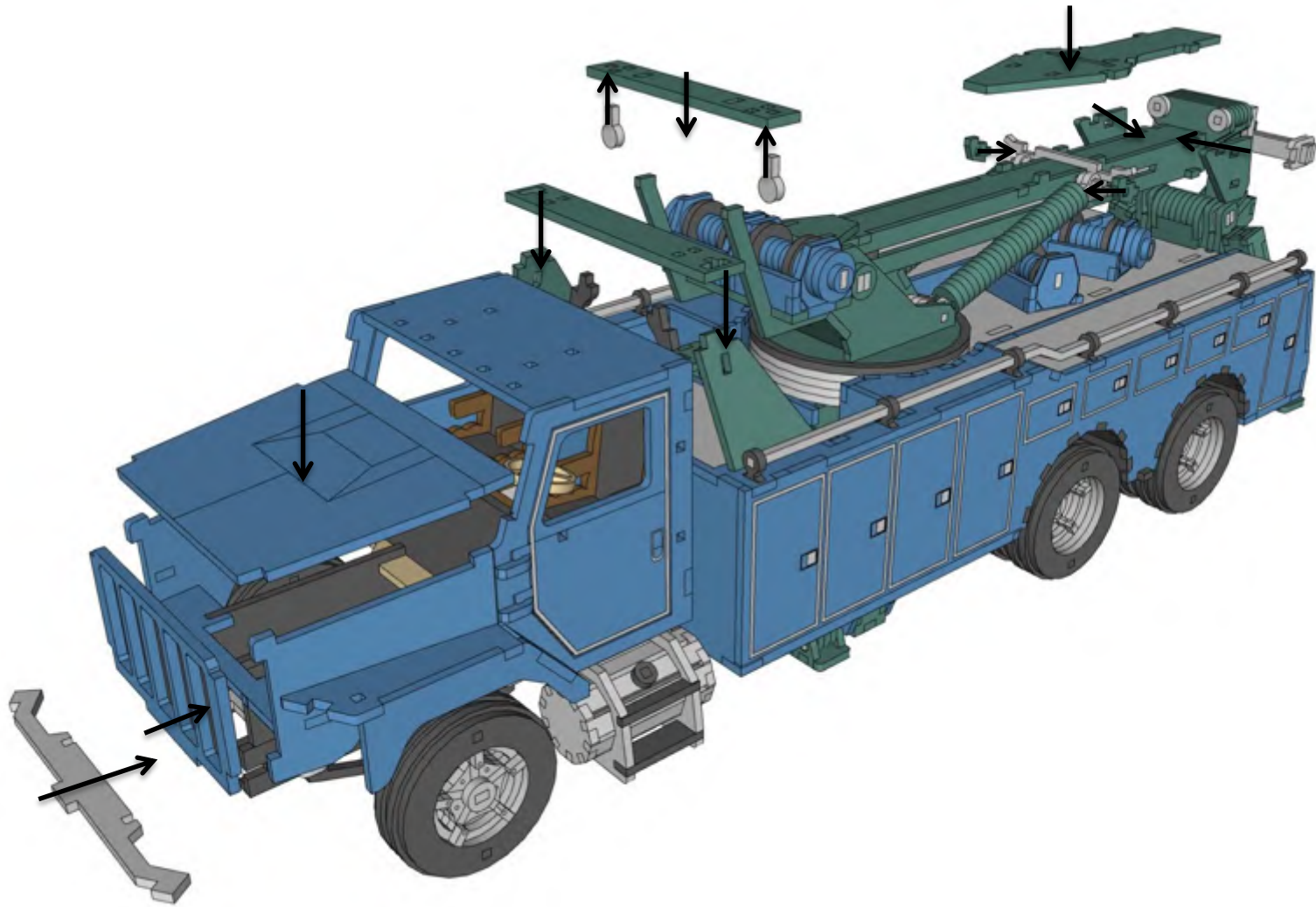
# ASSEMBLY STEPS





# ASSEMBLY STEPS

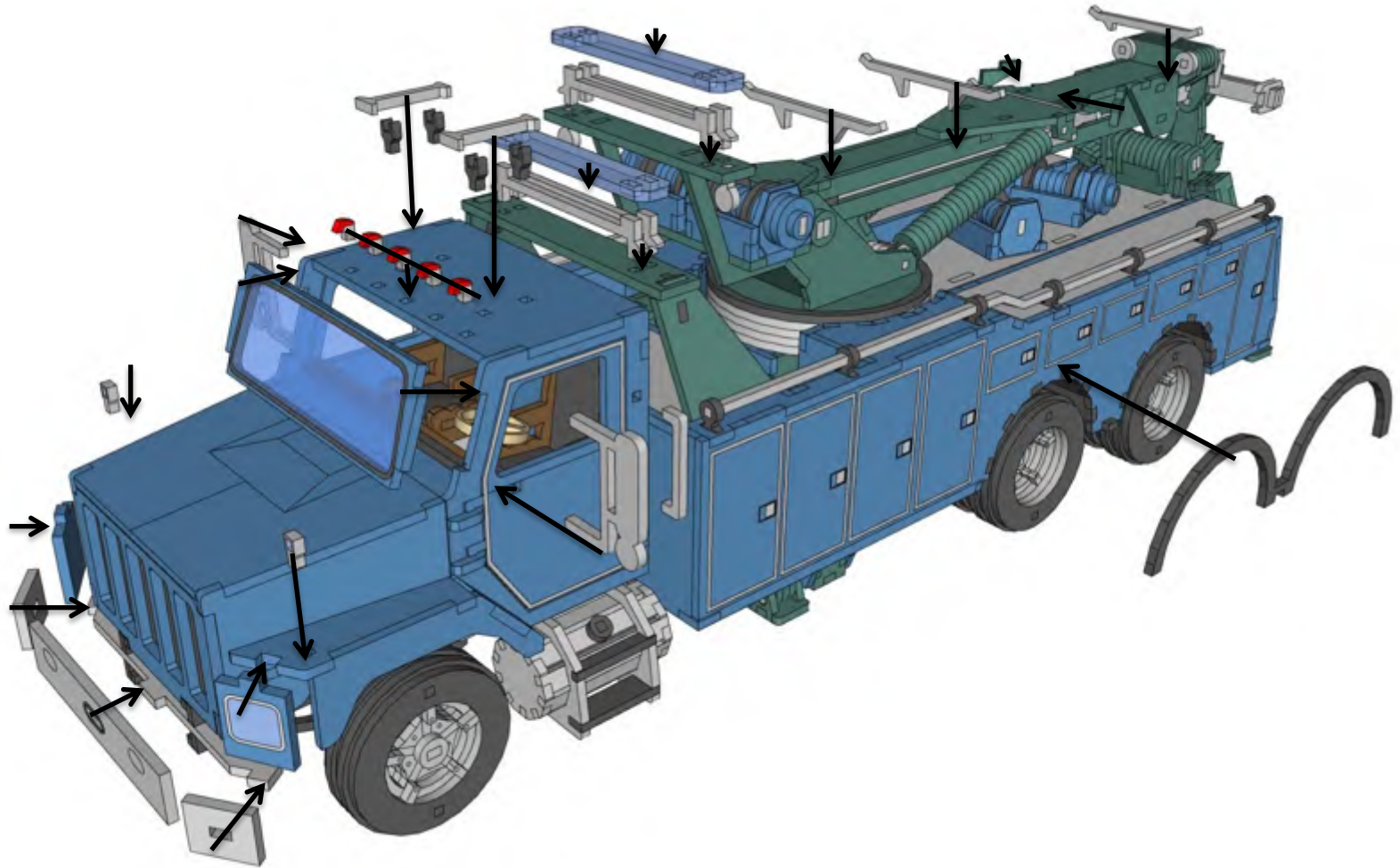




# ASSEMBLY STEPS





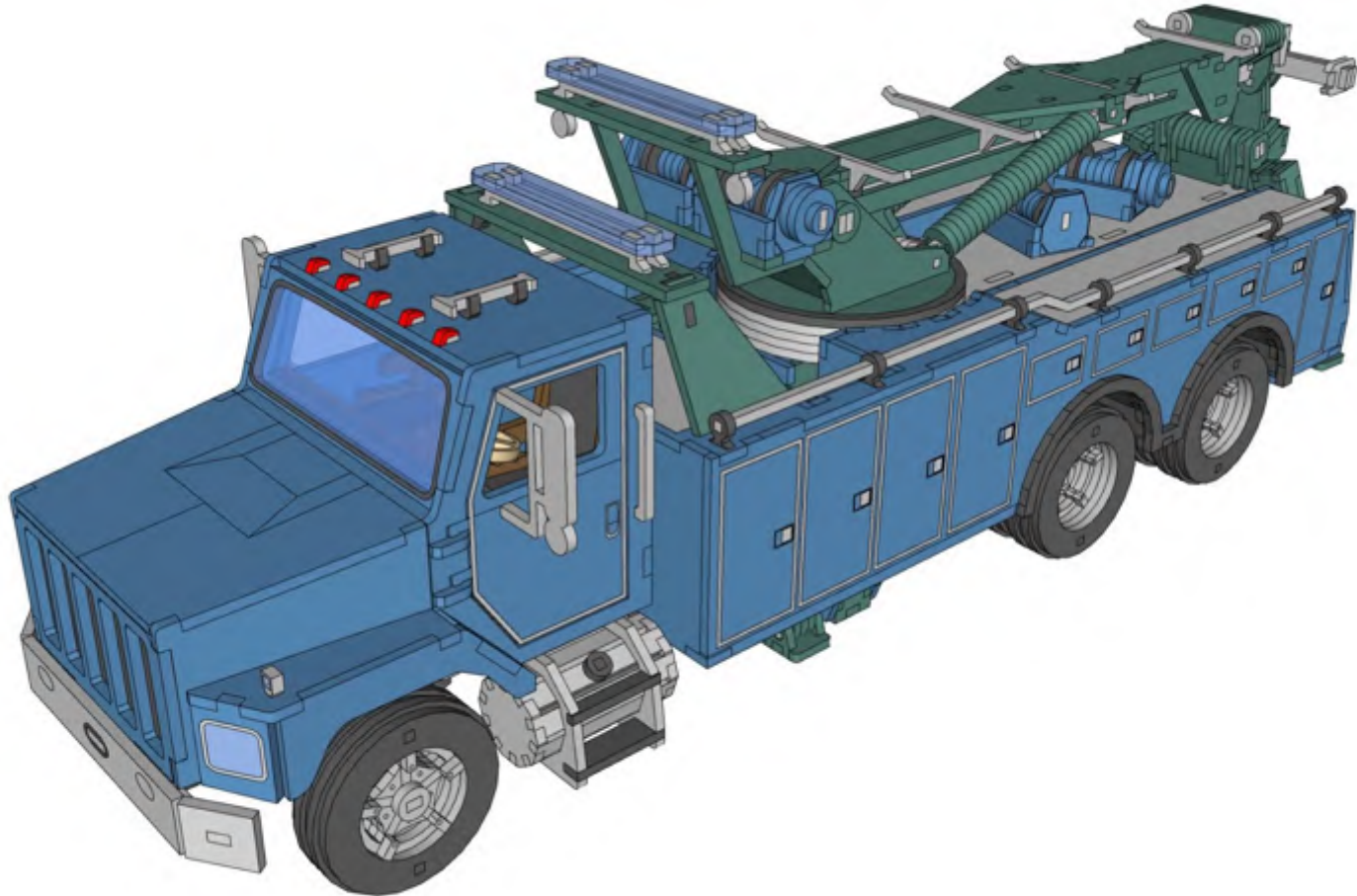


# ASSEMBLY STEPS





**makeCNC**



**COMPLETE**



**COMPLETE**

