

**makeCNC**

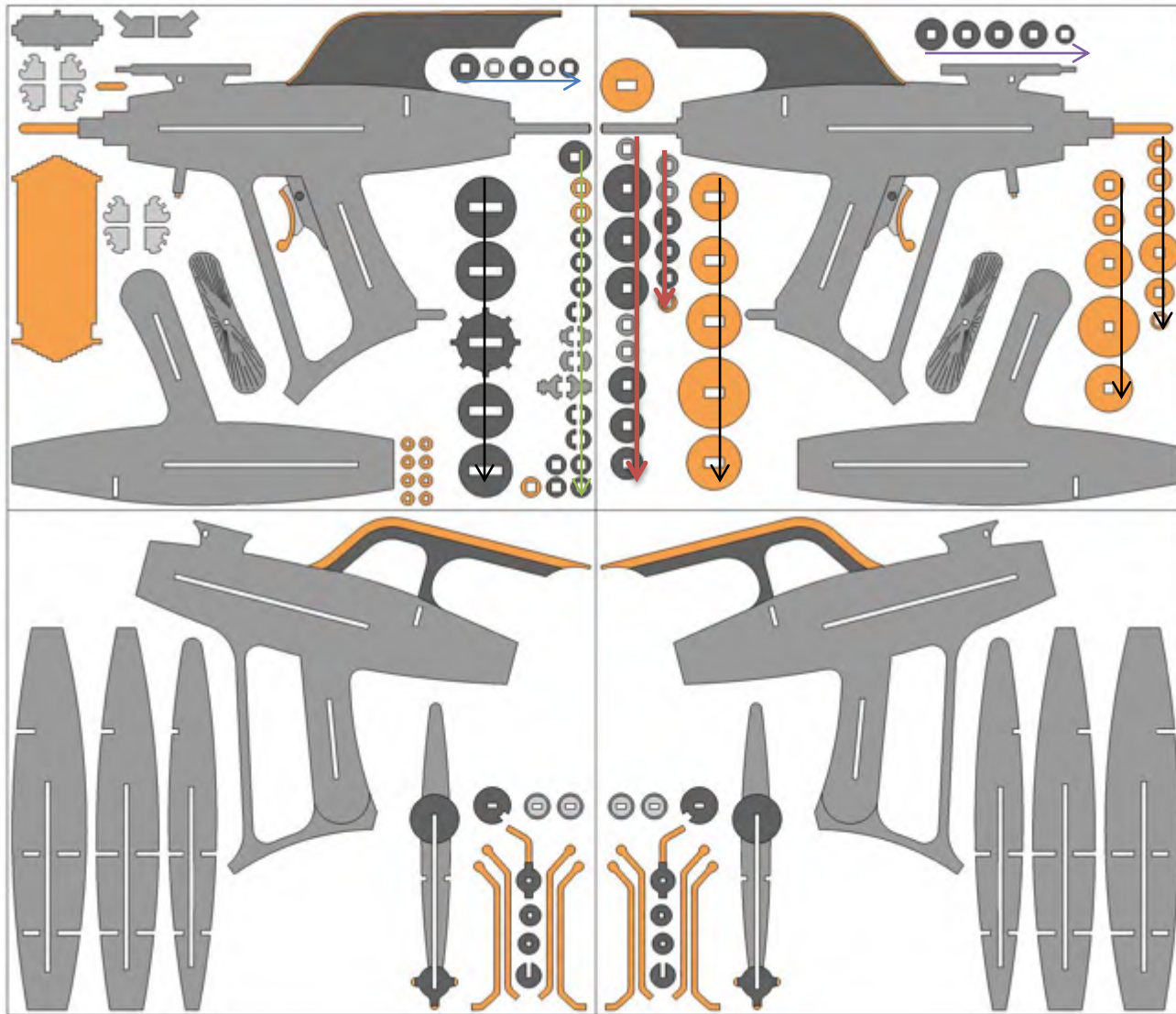


**CHAOTICA RAY GUN**



**makeCNC**  
Robotic Tools & other Machines

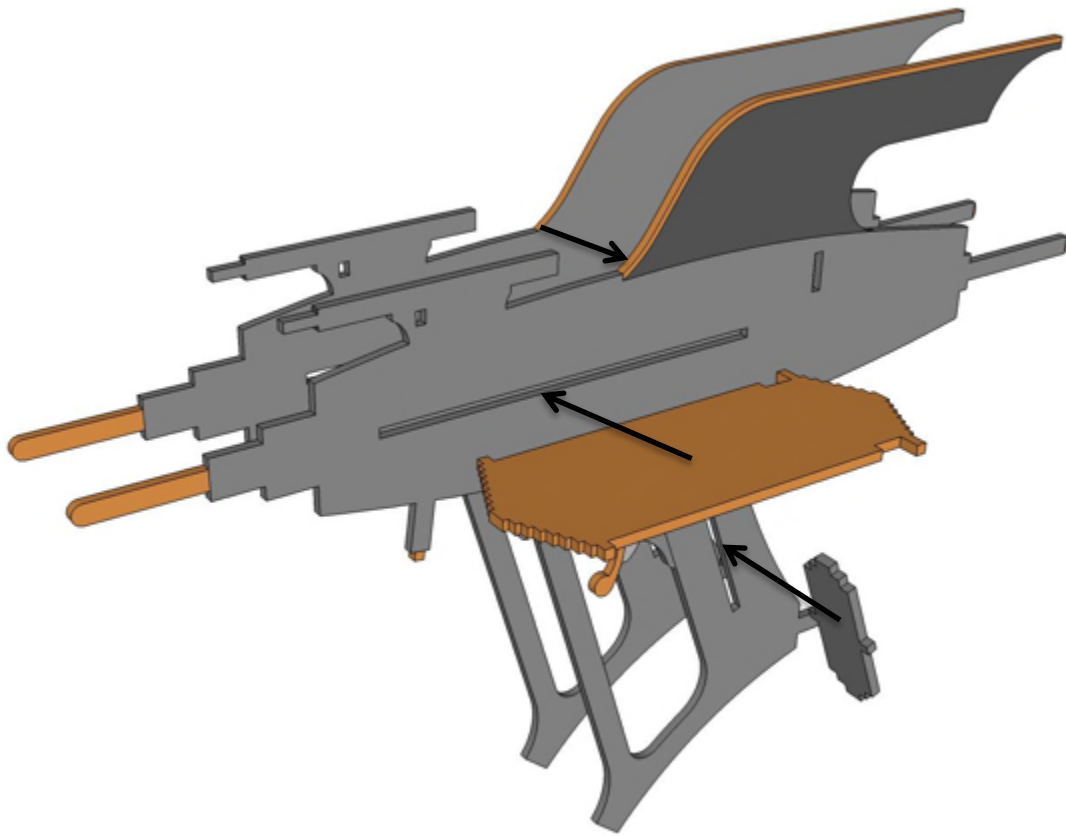
[www.makecnc.com](http://www.makecnc.com)



PARTS LIST

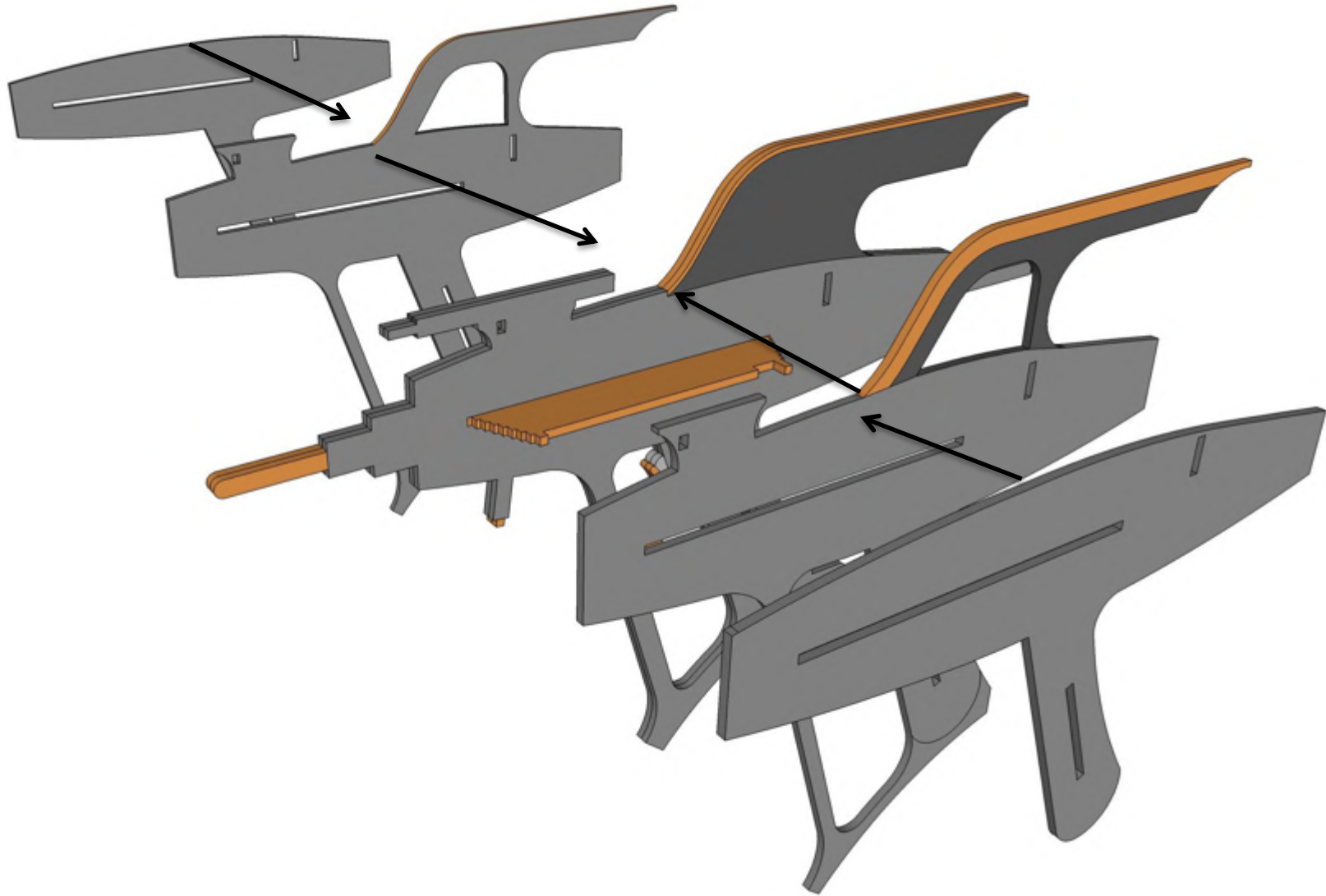


IT IS RECOMMENDED TO GO THROUGH ALL THE PAGES  
AND SEE EACH STEP BEFORE STARTING THE ASSEMBLY



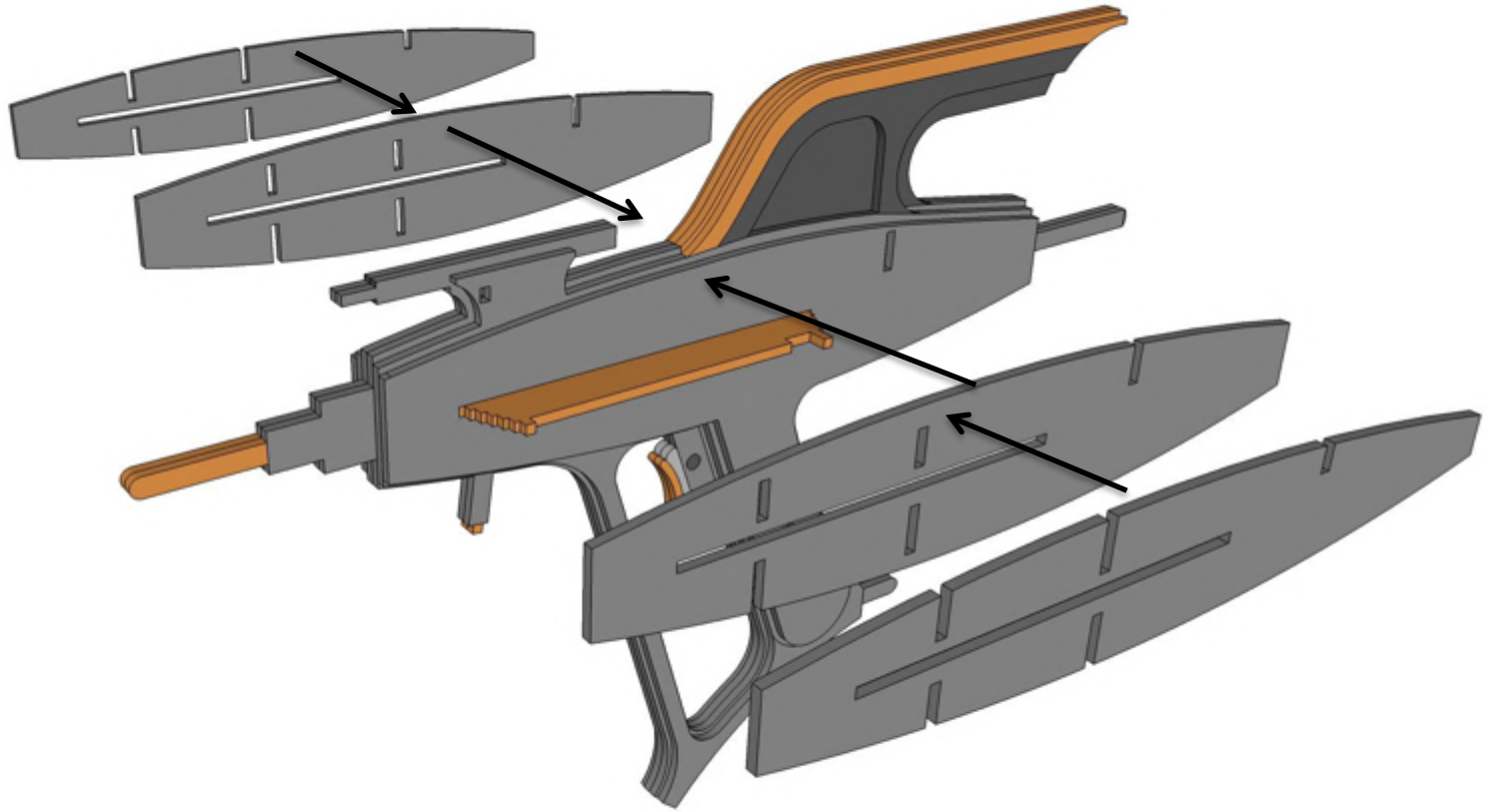
# ASSEMBLY STEPS





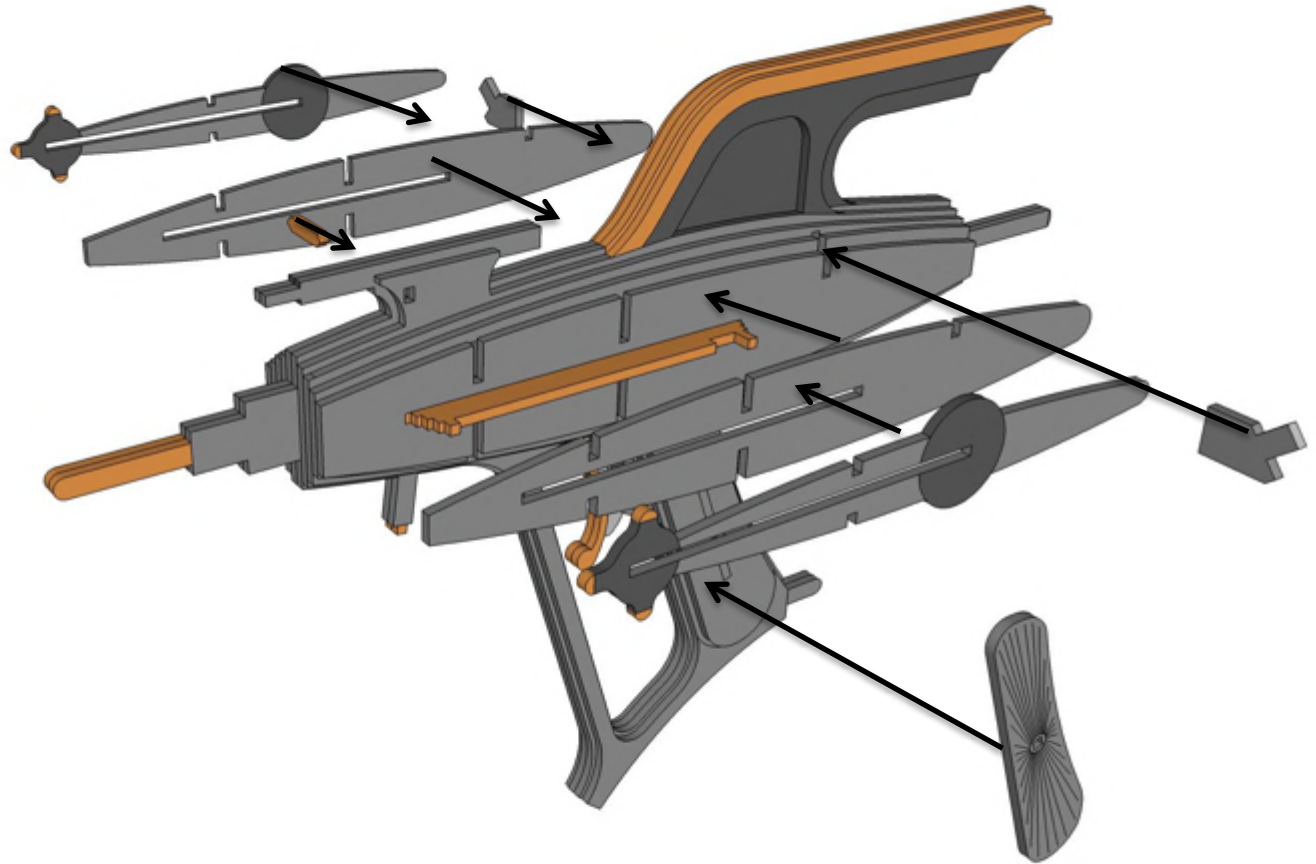
# ASSEMBLY STEPS





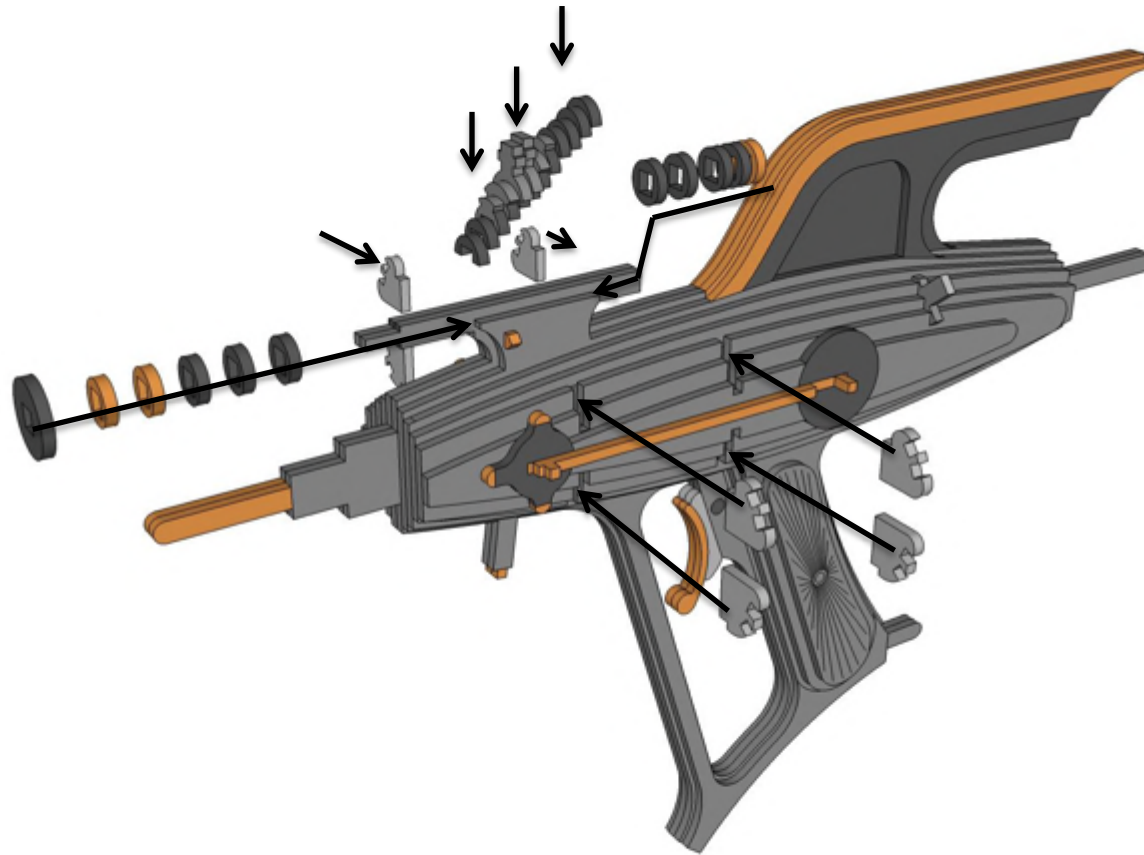
**ASSEMBLY STEPS**





**ASSEMBLY STEPS**





ASSEMBLY STEPS



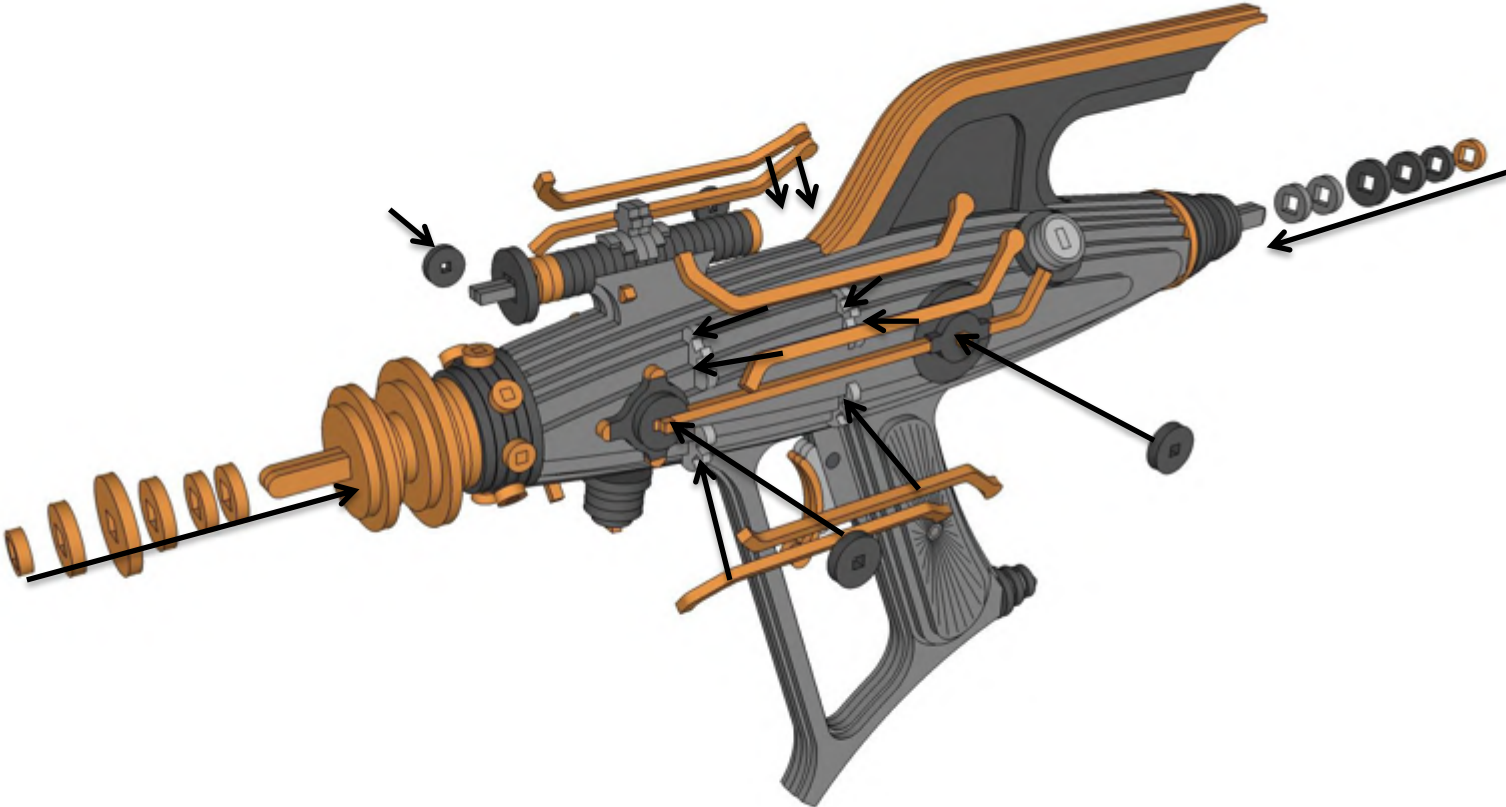


# ASSEMBLY STEPS









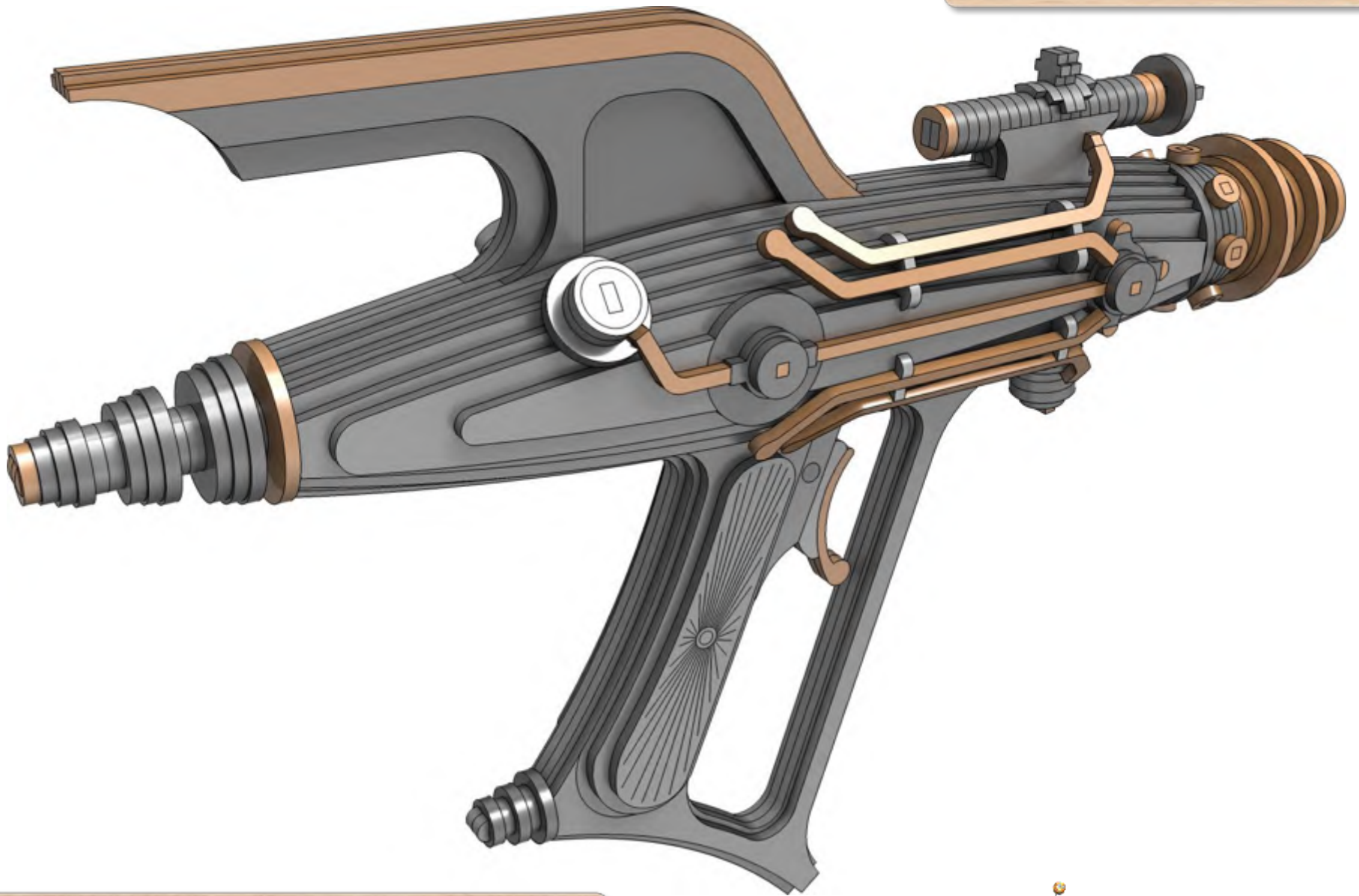
**ASSEMBLY STEPS**





COMPLETED





COMPLETED

