

makeCNC

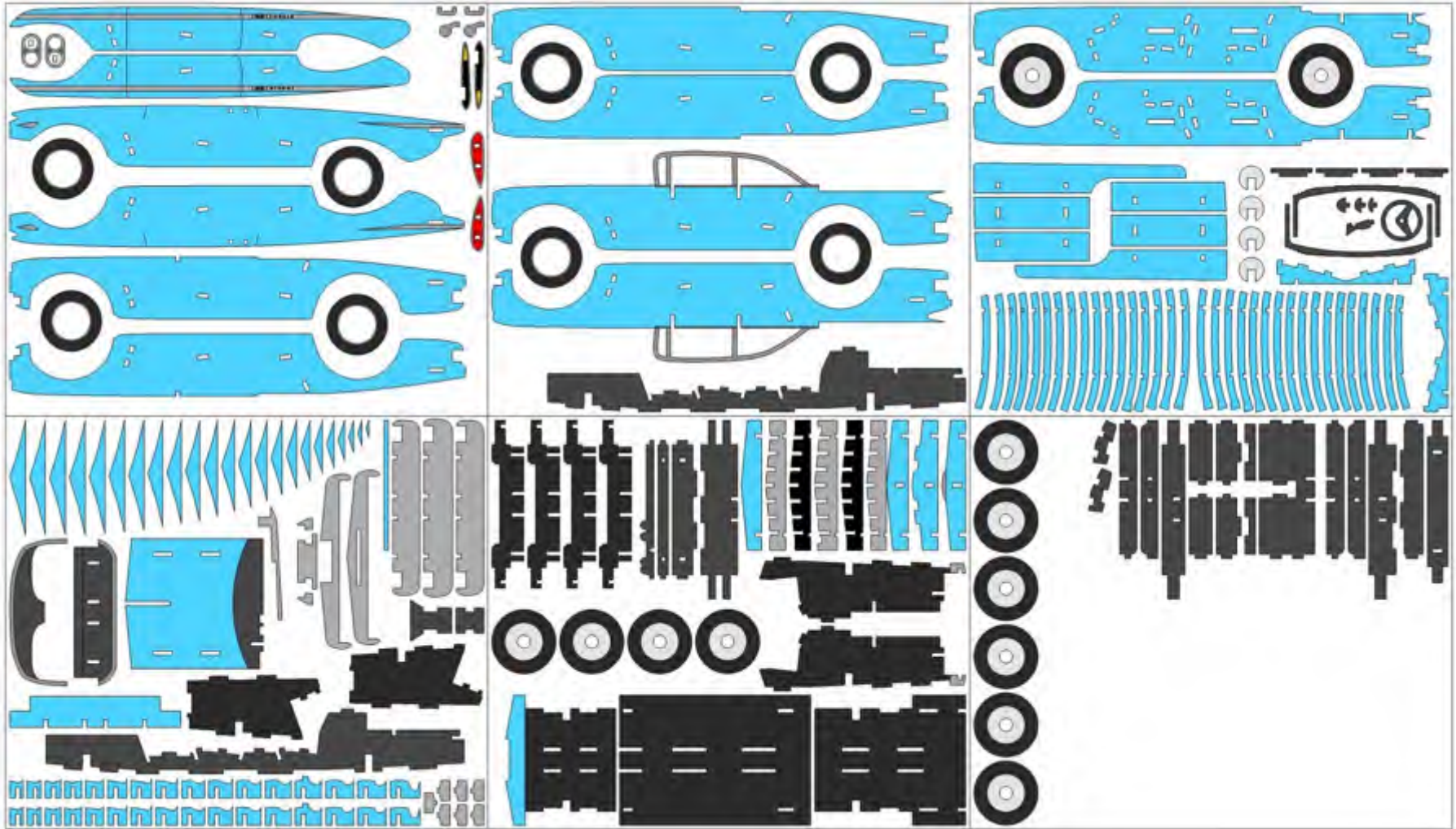


CHEVROLET IMPALA 1959



makeCNC
Robotic Tools & other Machines

www.makecnc.com

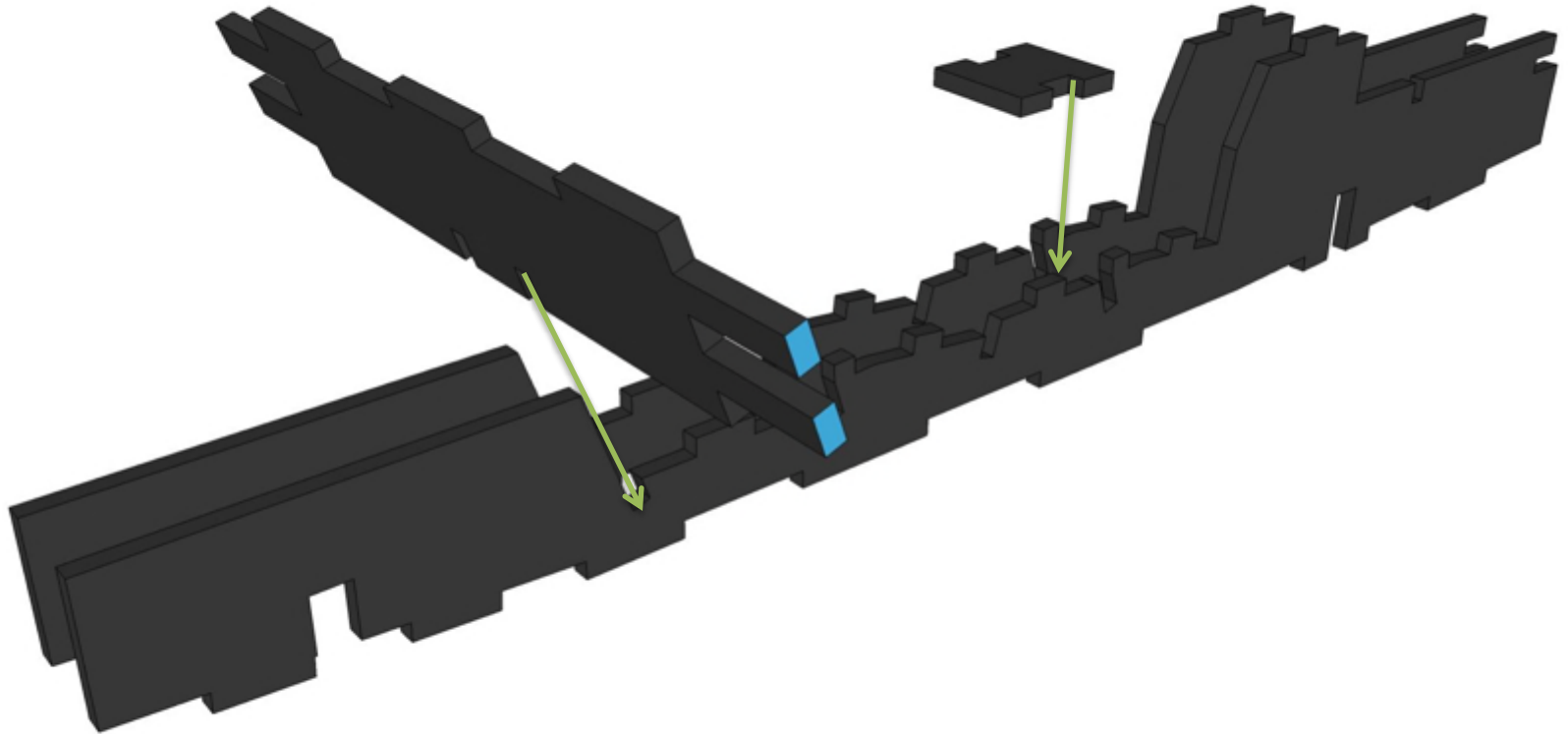


PARTS LIST



IT IS RECOMMENDED TO GO THROUGH ALL THE STEPS
BEFORE STARTING THE ASSEMBLY

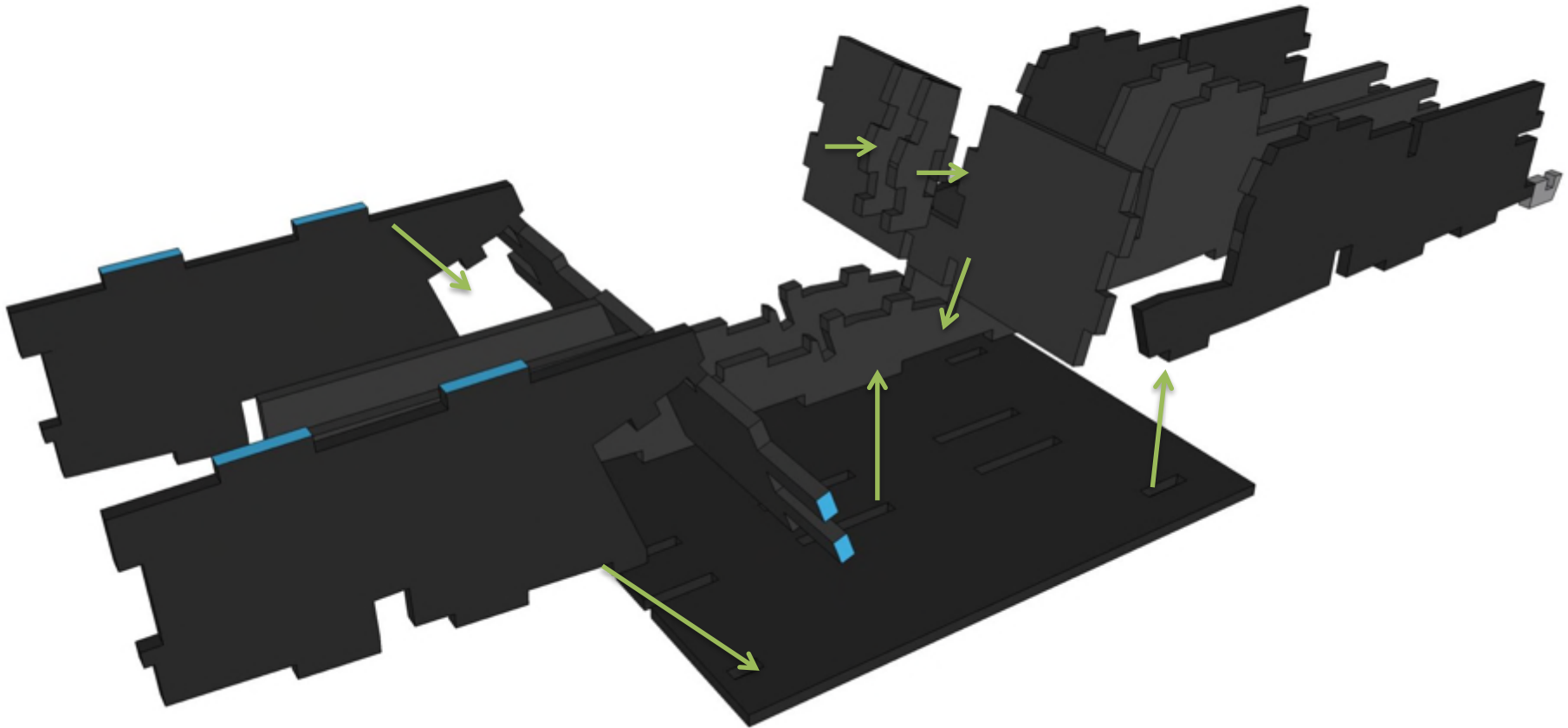
makeCNC



ASSEMBLY STEPS

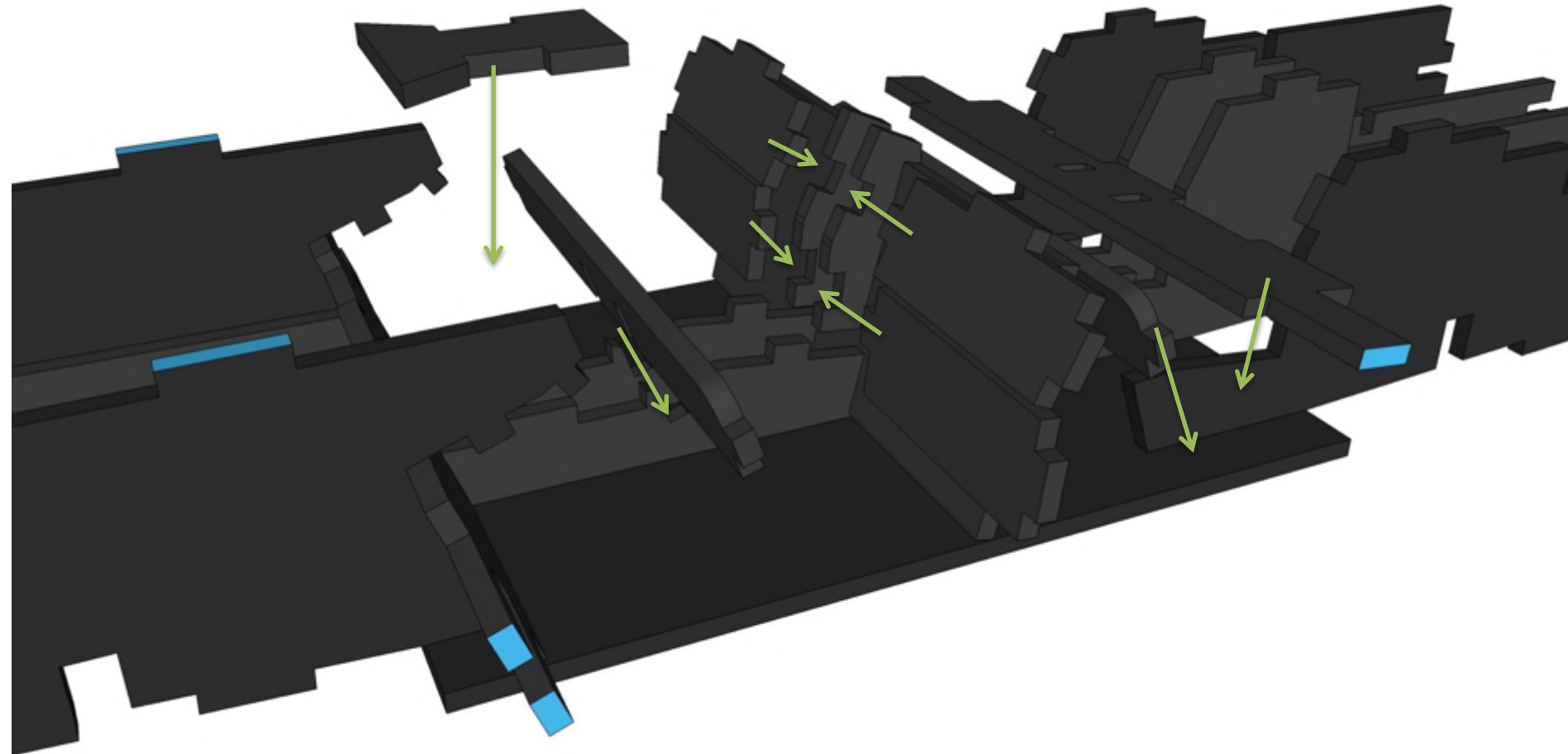


www.makecnc.com



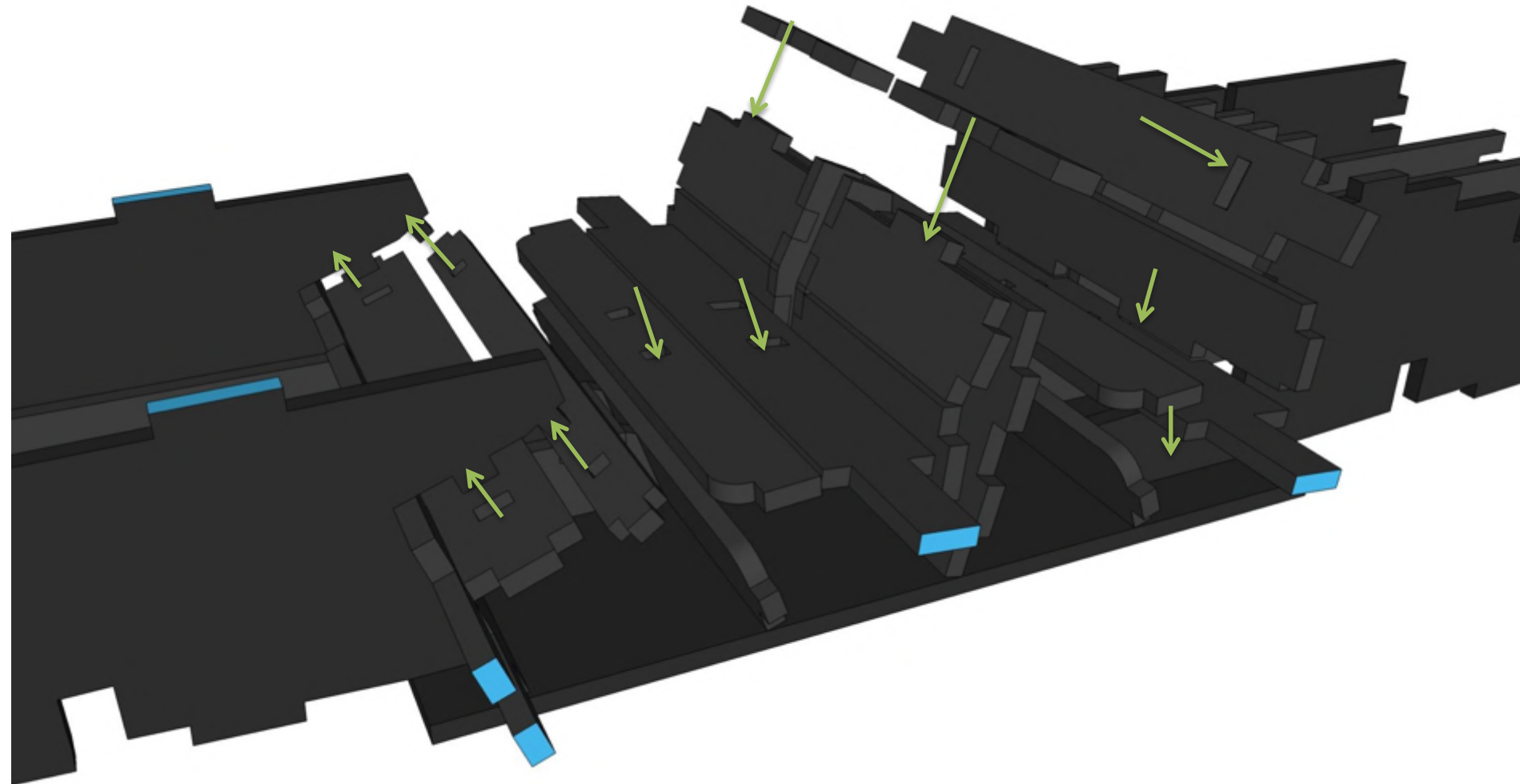
ASSEMBLY STEPS





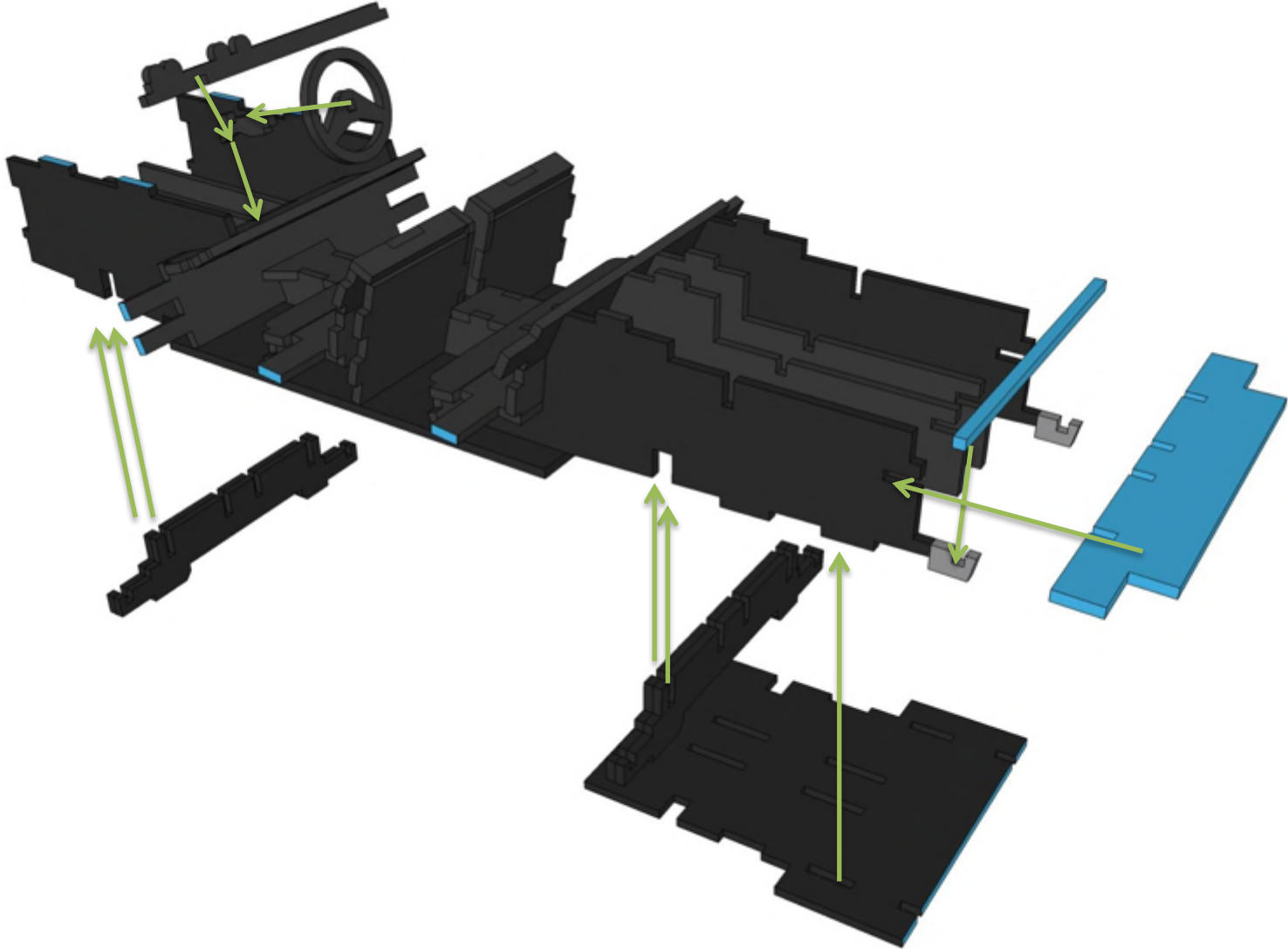
ASSEMBLY STEPS





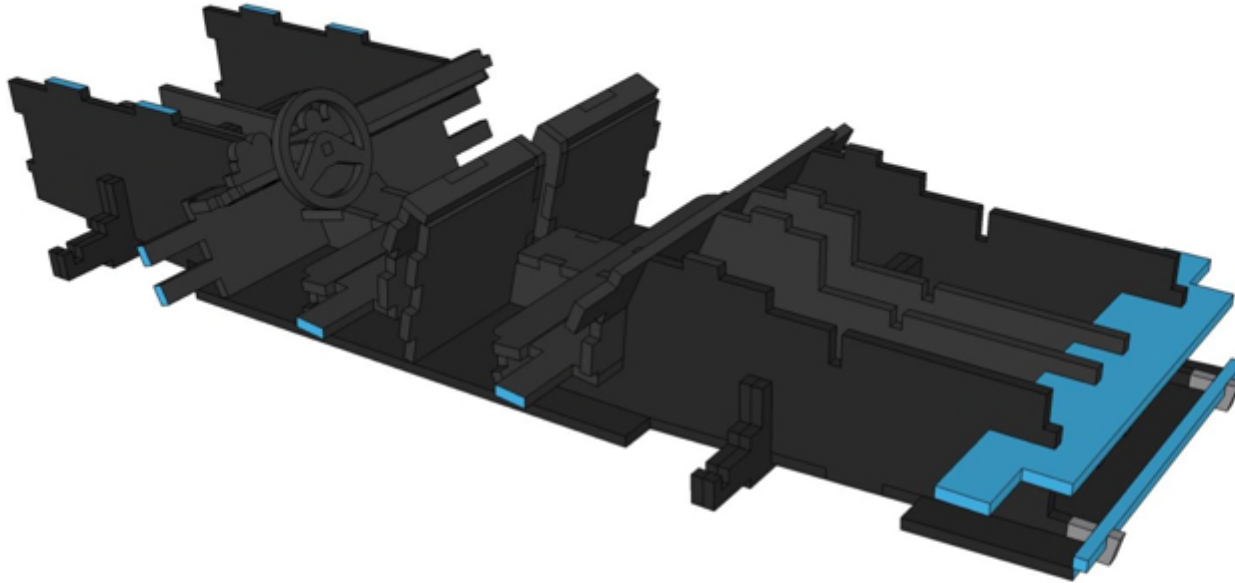
ASSEMBLY STEPS





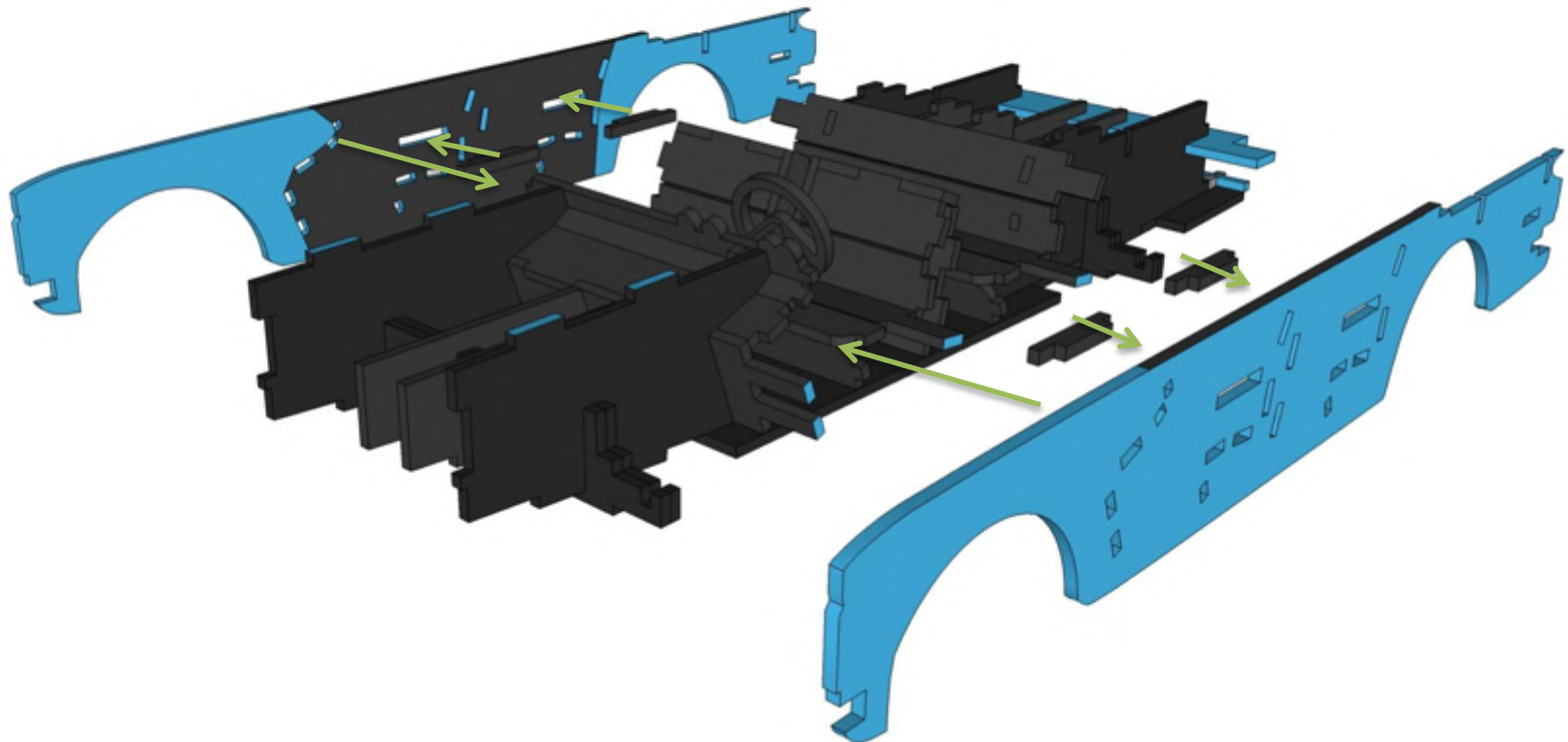
ASSEMBLY STEPS





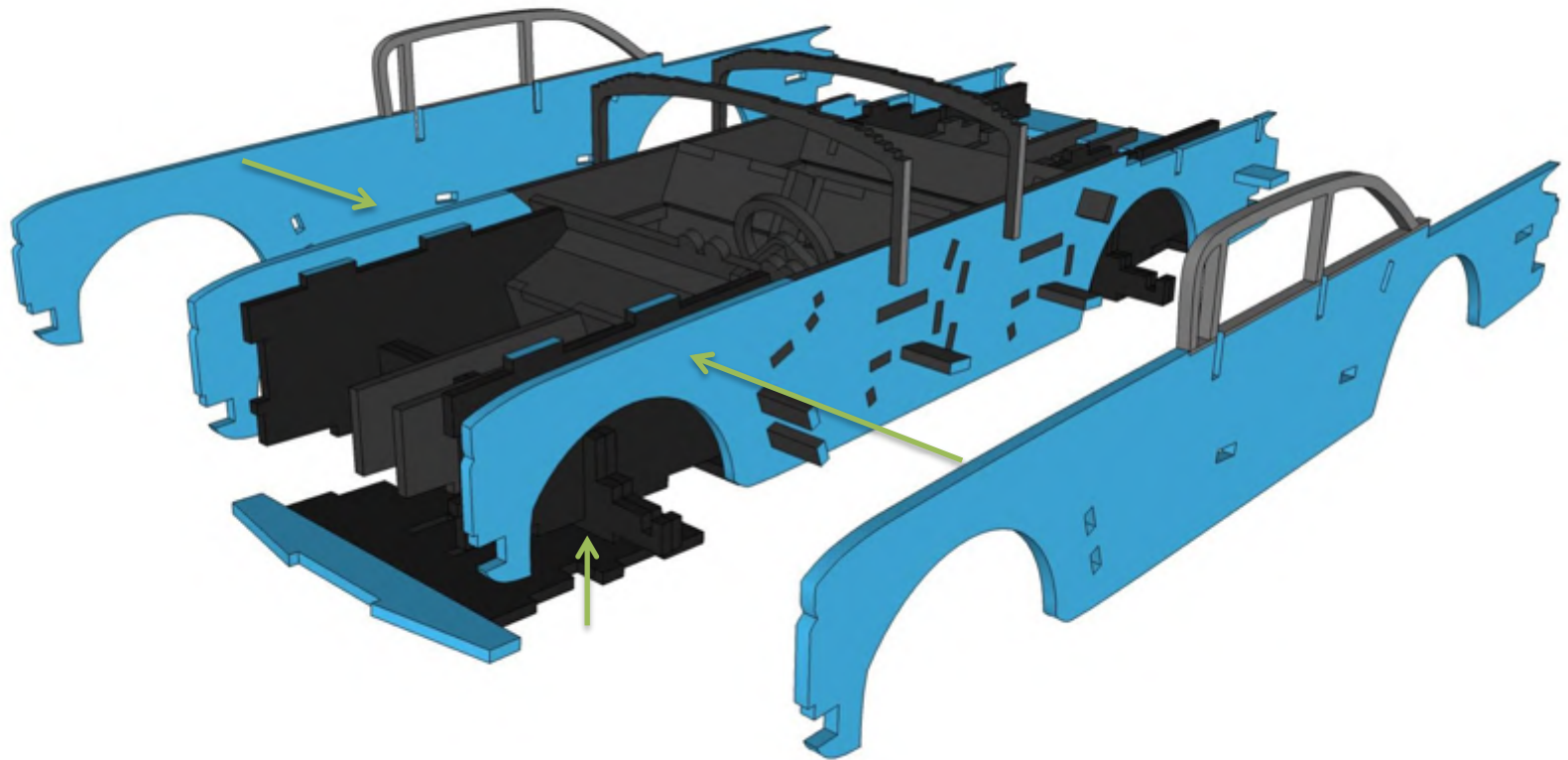
ASSEMBLY STEPS





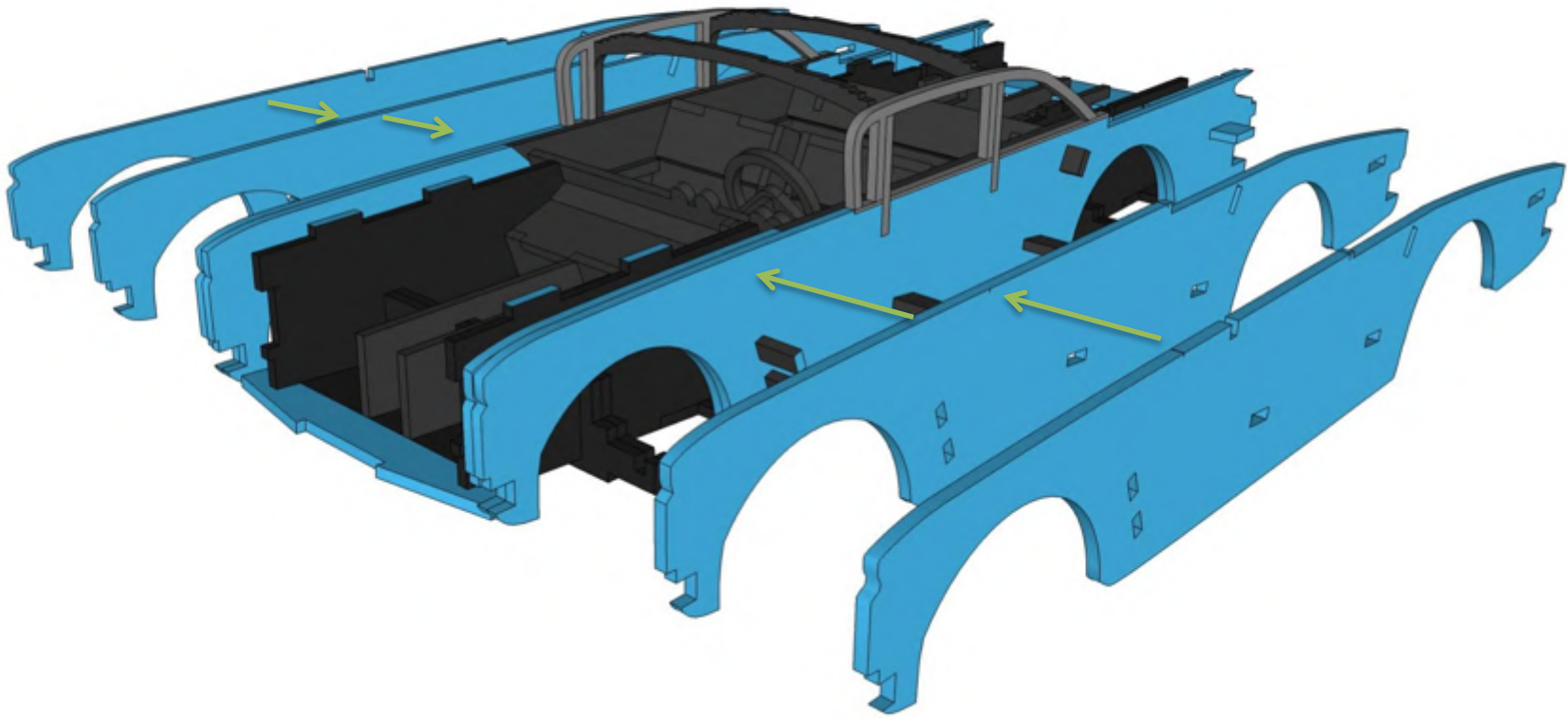
ASSEMBLY STEPS





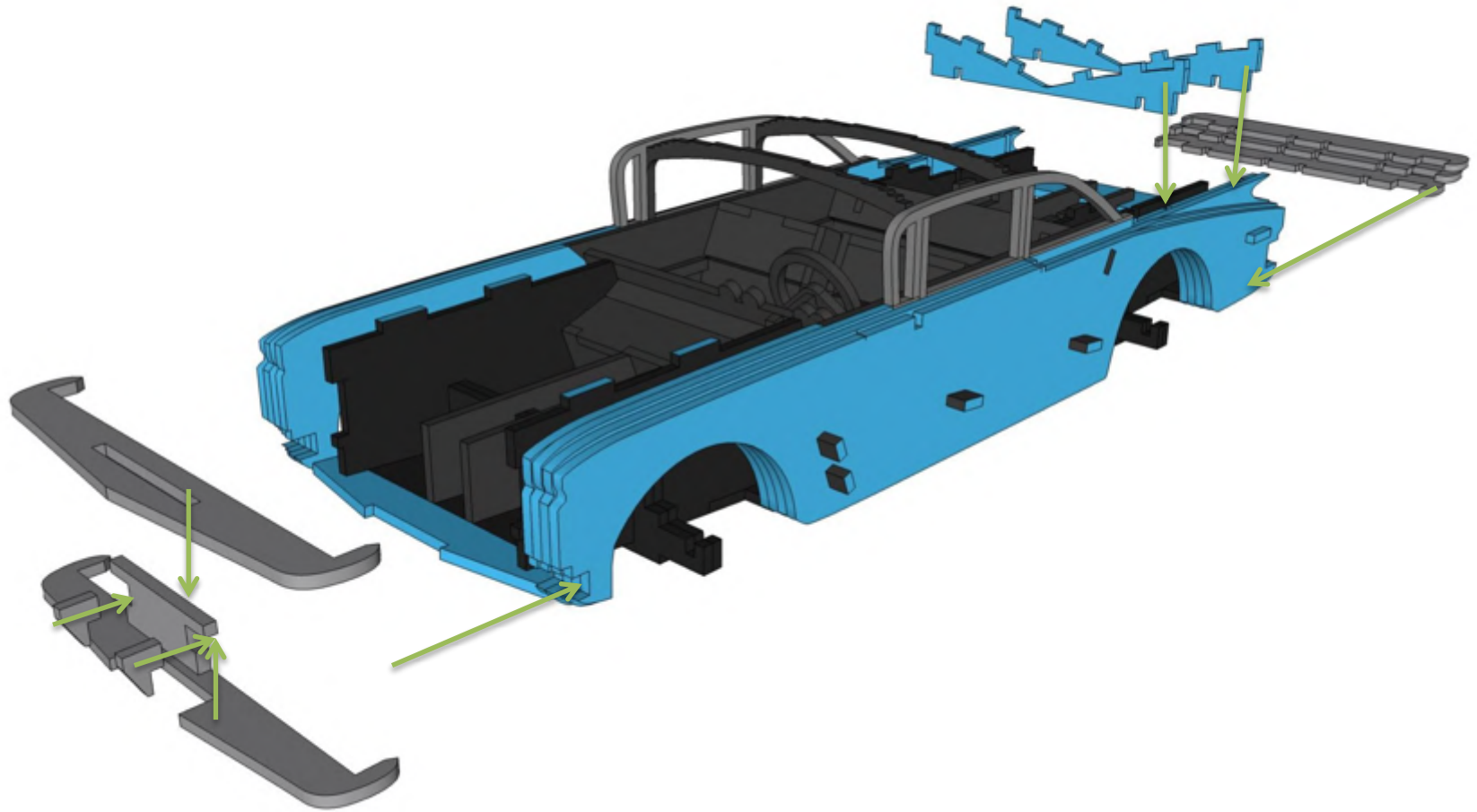
ASSEMBLY STEPS





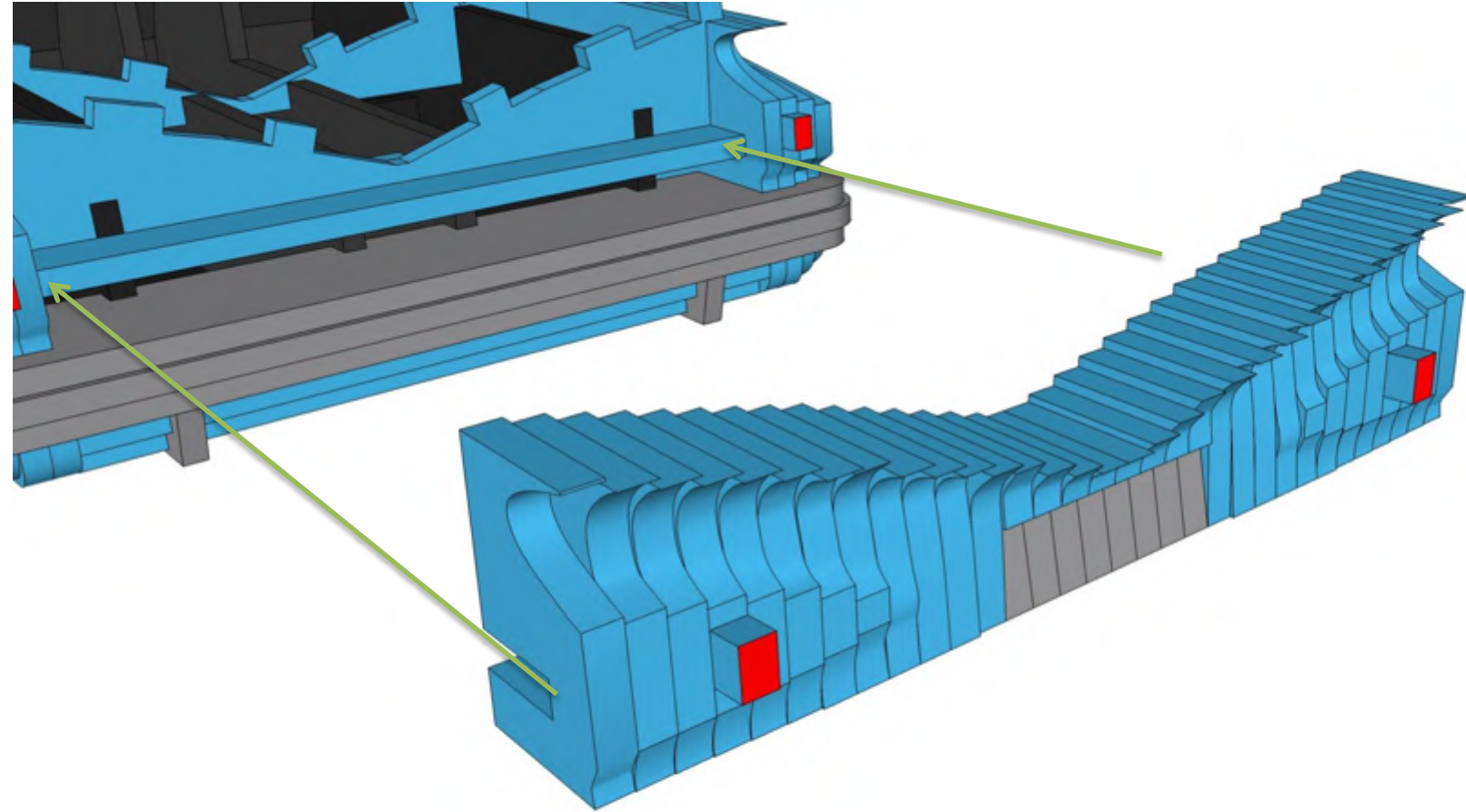
ASSEMBLY STEPS





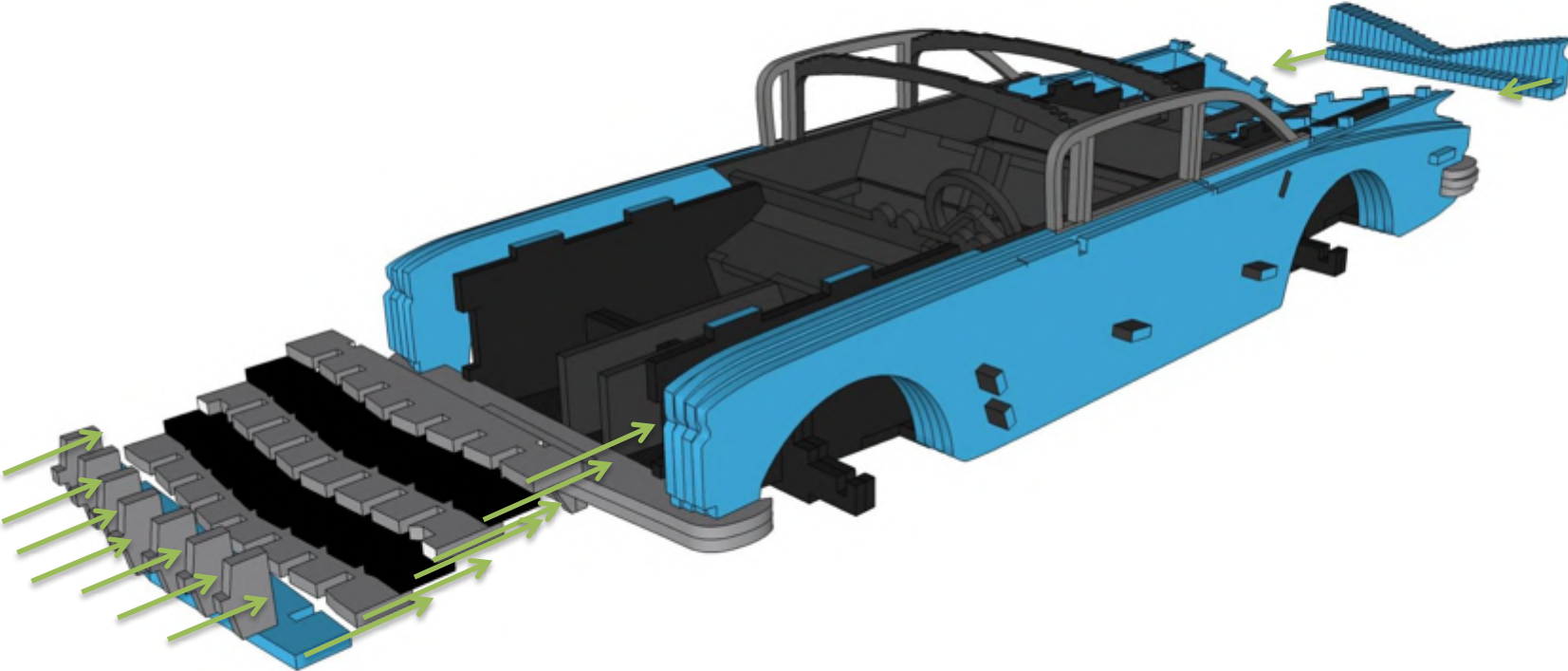
ASSEMBLY STEPS





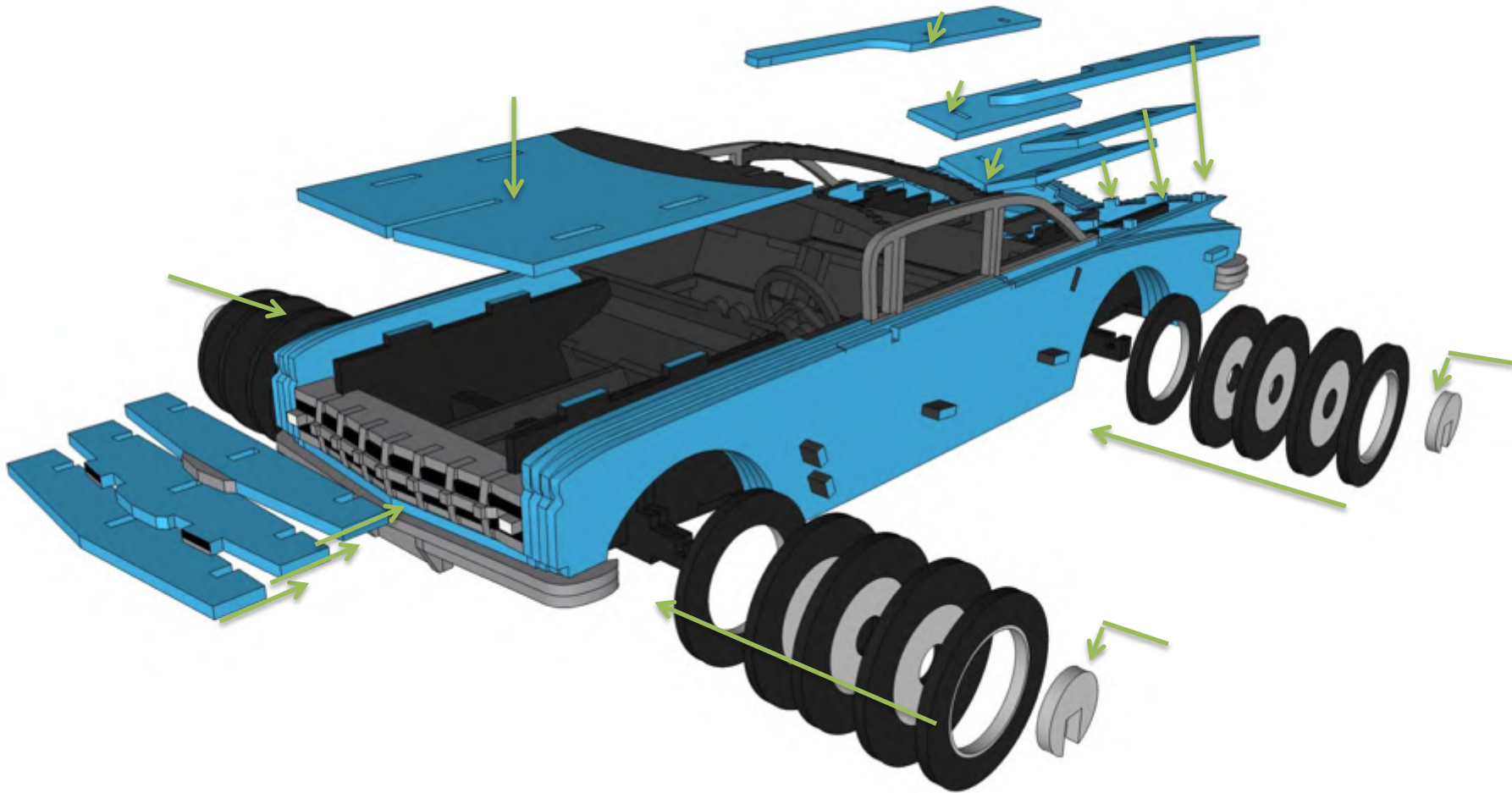
ASSEMBLY STEPS





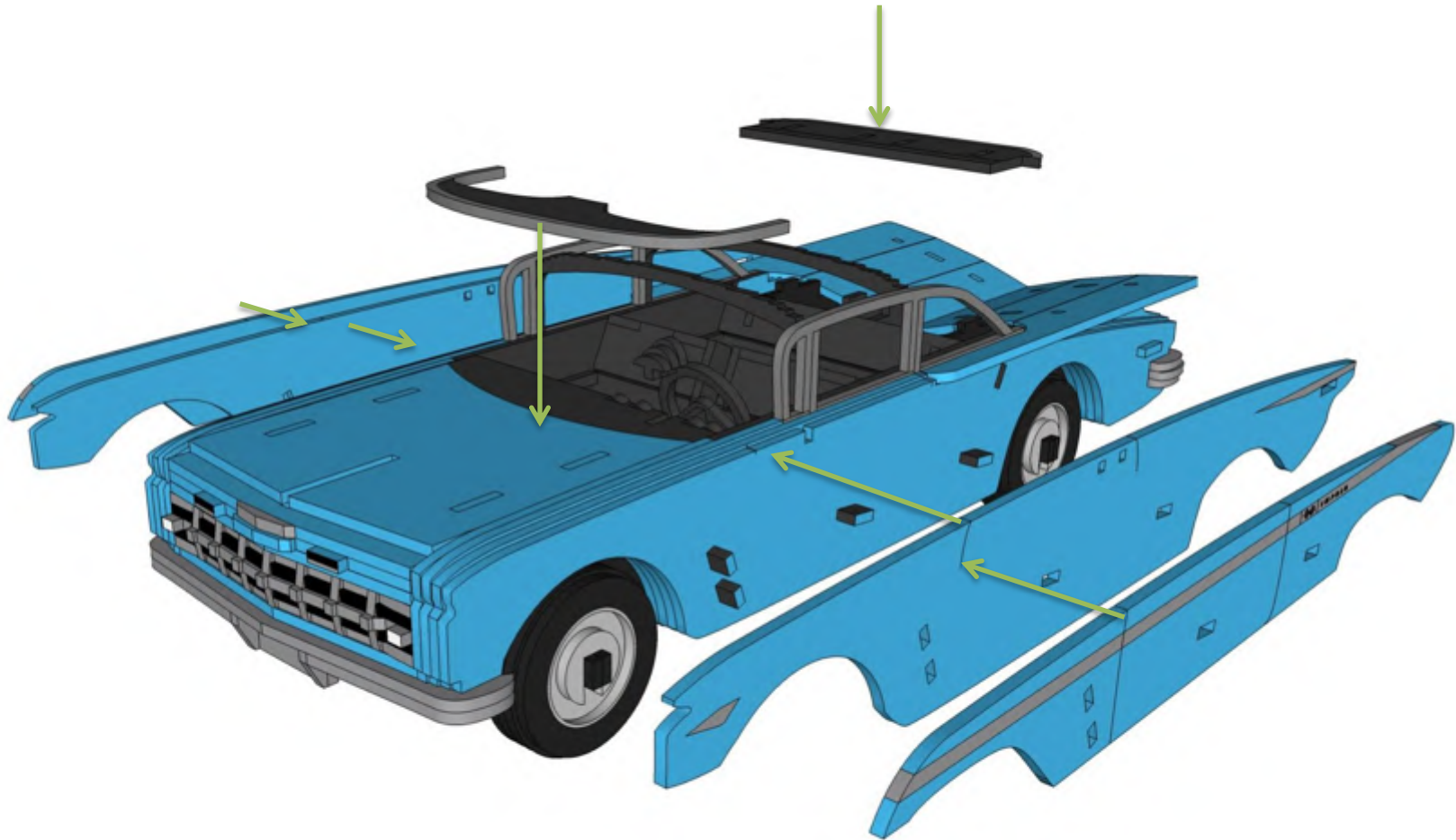
ASSEMBLY STEPS





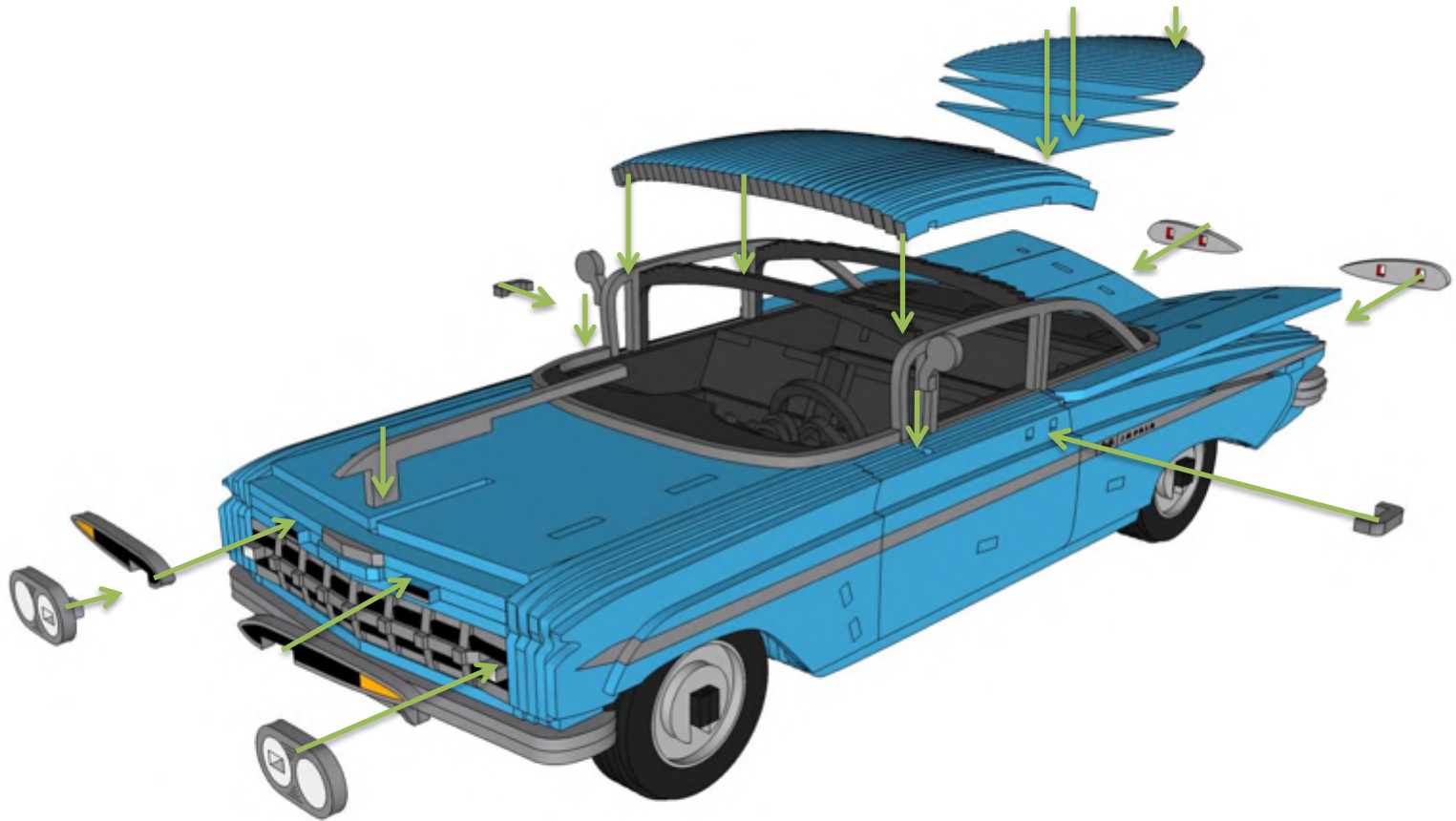
ASSEMBLY STEPS





ASSEMBLY STEPS





ASSEMBLY STEPS





COMPLETE





COMPLETE

