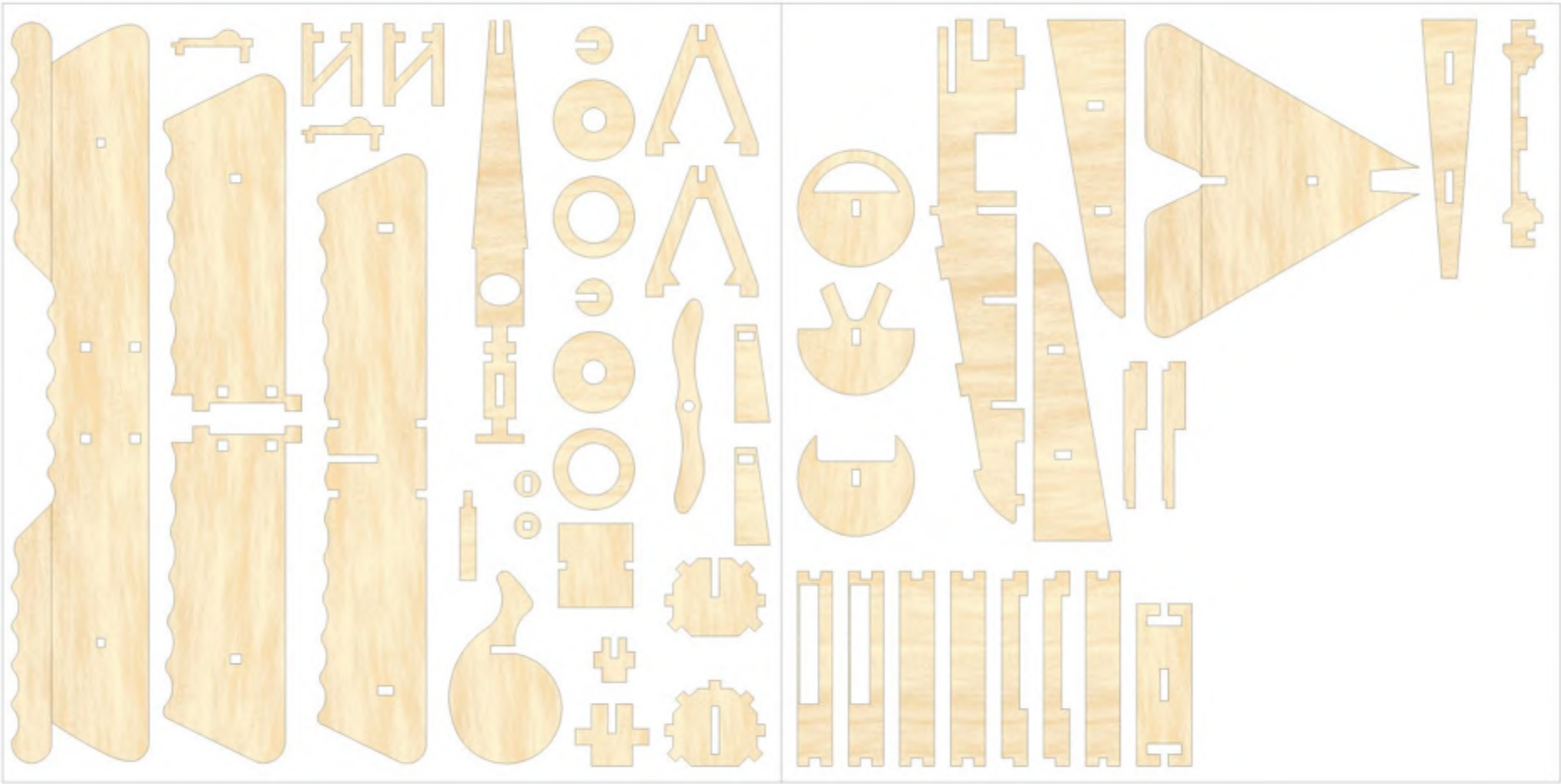




THE FOKKER TRIPLANE

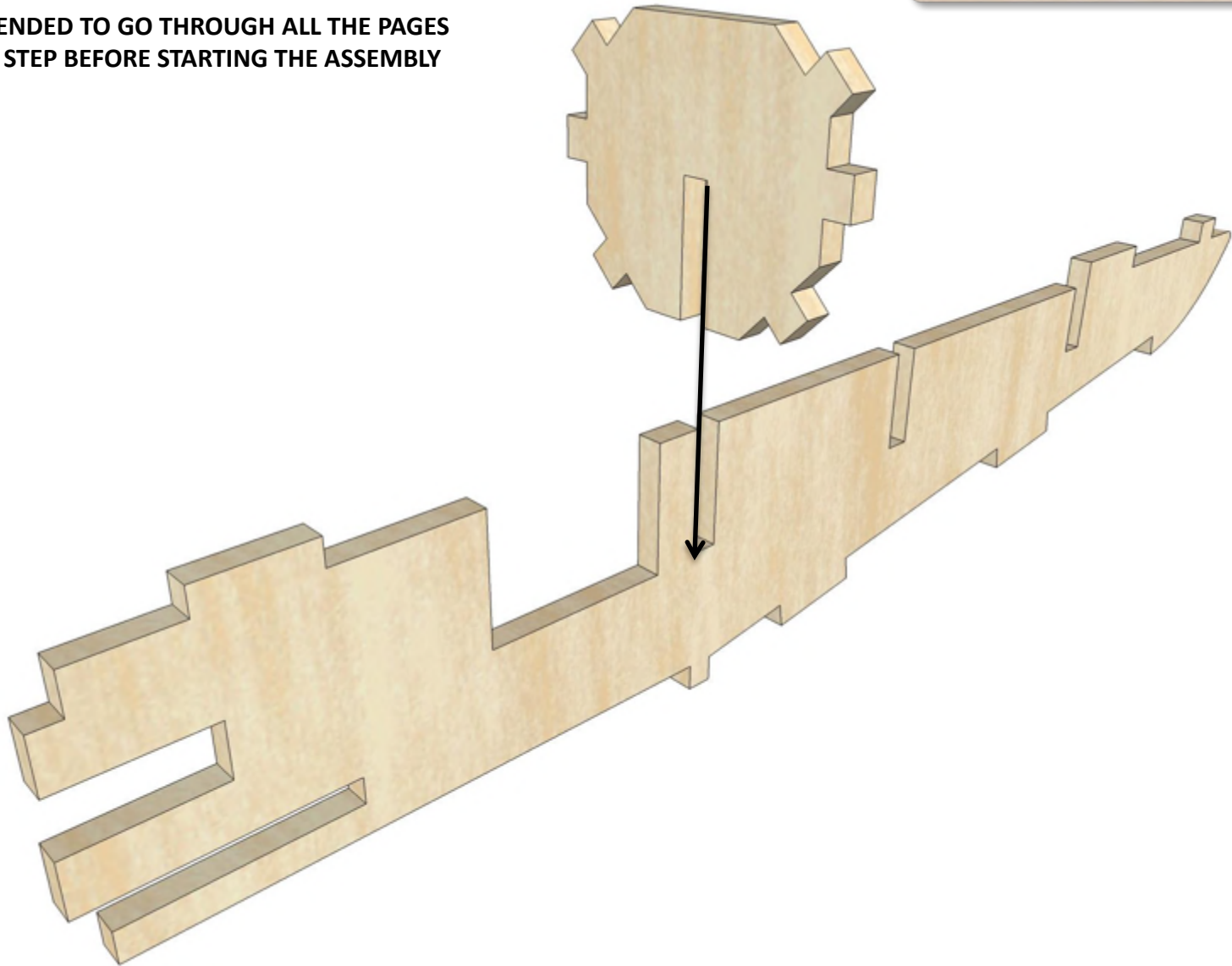




PARTS LIST

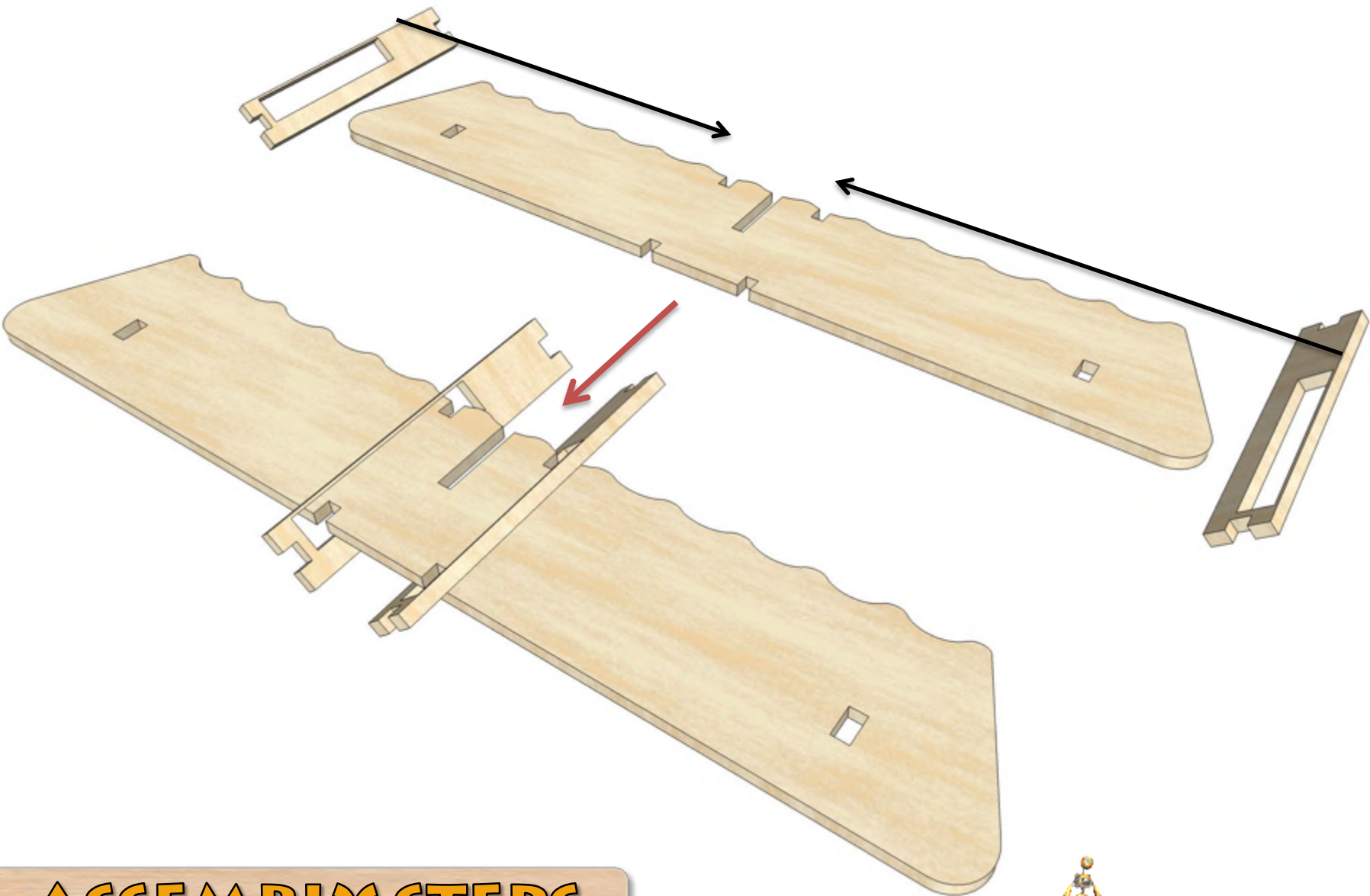


IT IS RECOMMENDED TO GO THROUGH ALL THE PAGES
AND SEE EACH STEP BEFORE STARTING THE ASSEMBLY



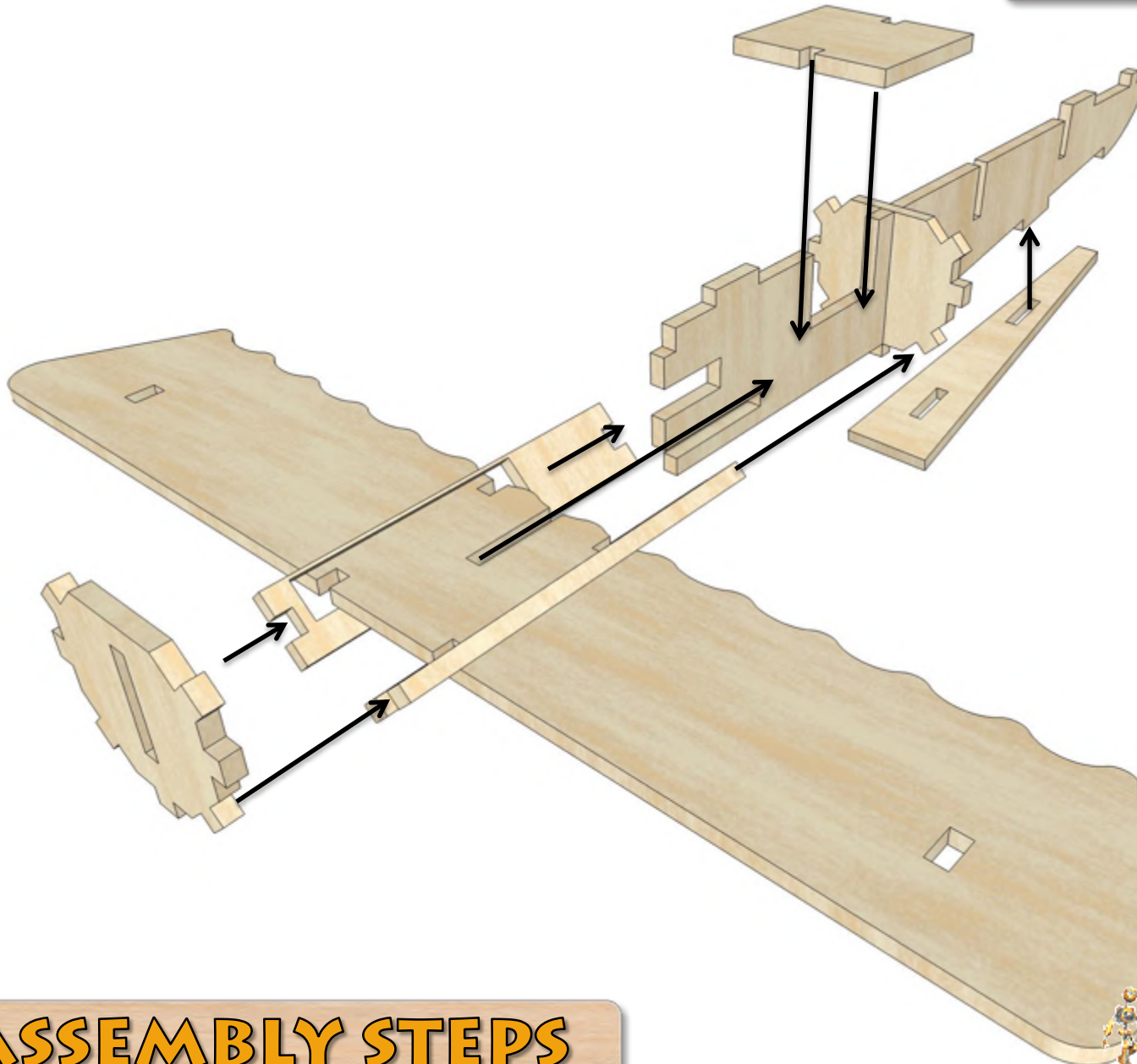
ASSEMBLY STEPS





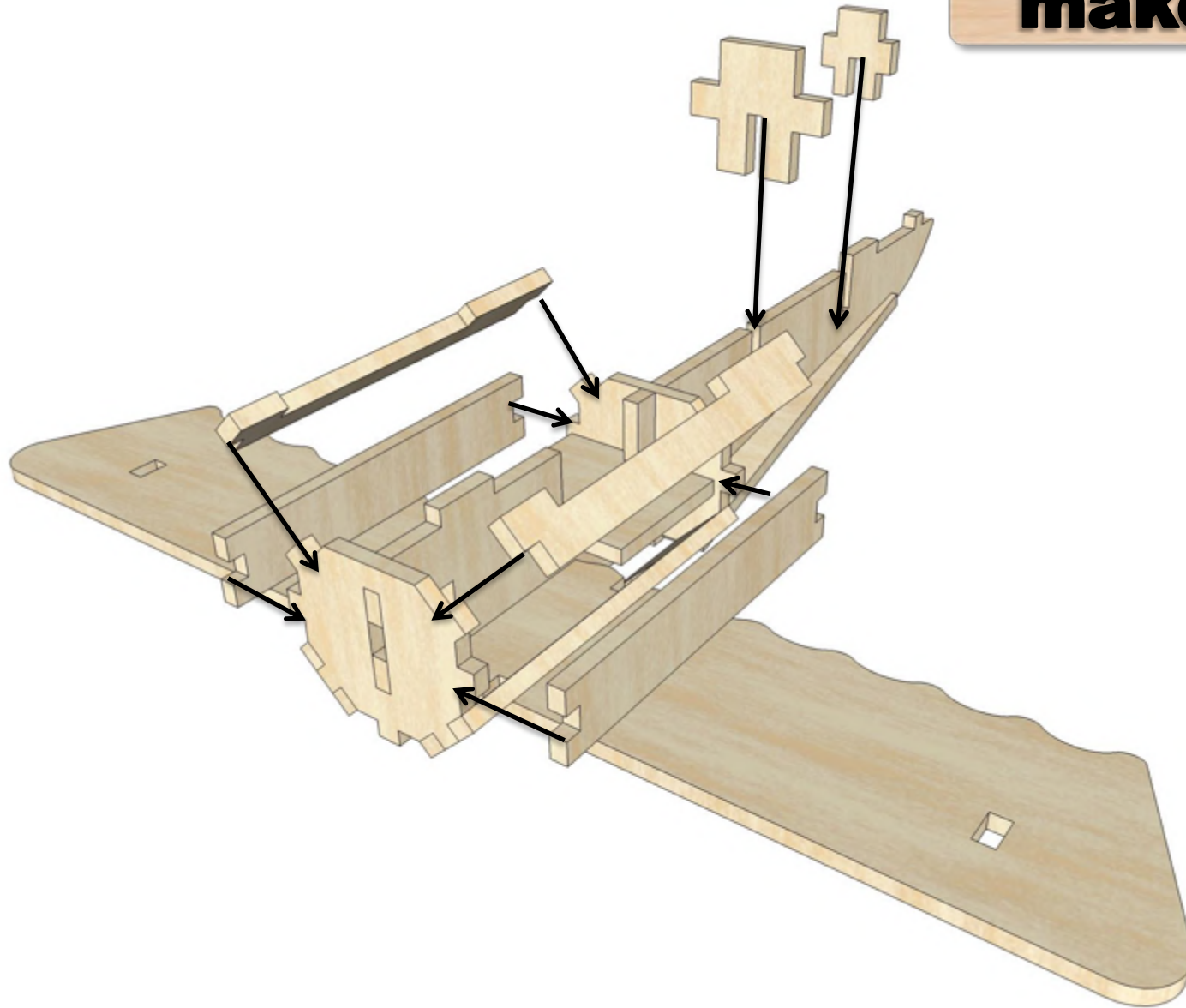
ASSEMBLY STEPS





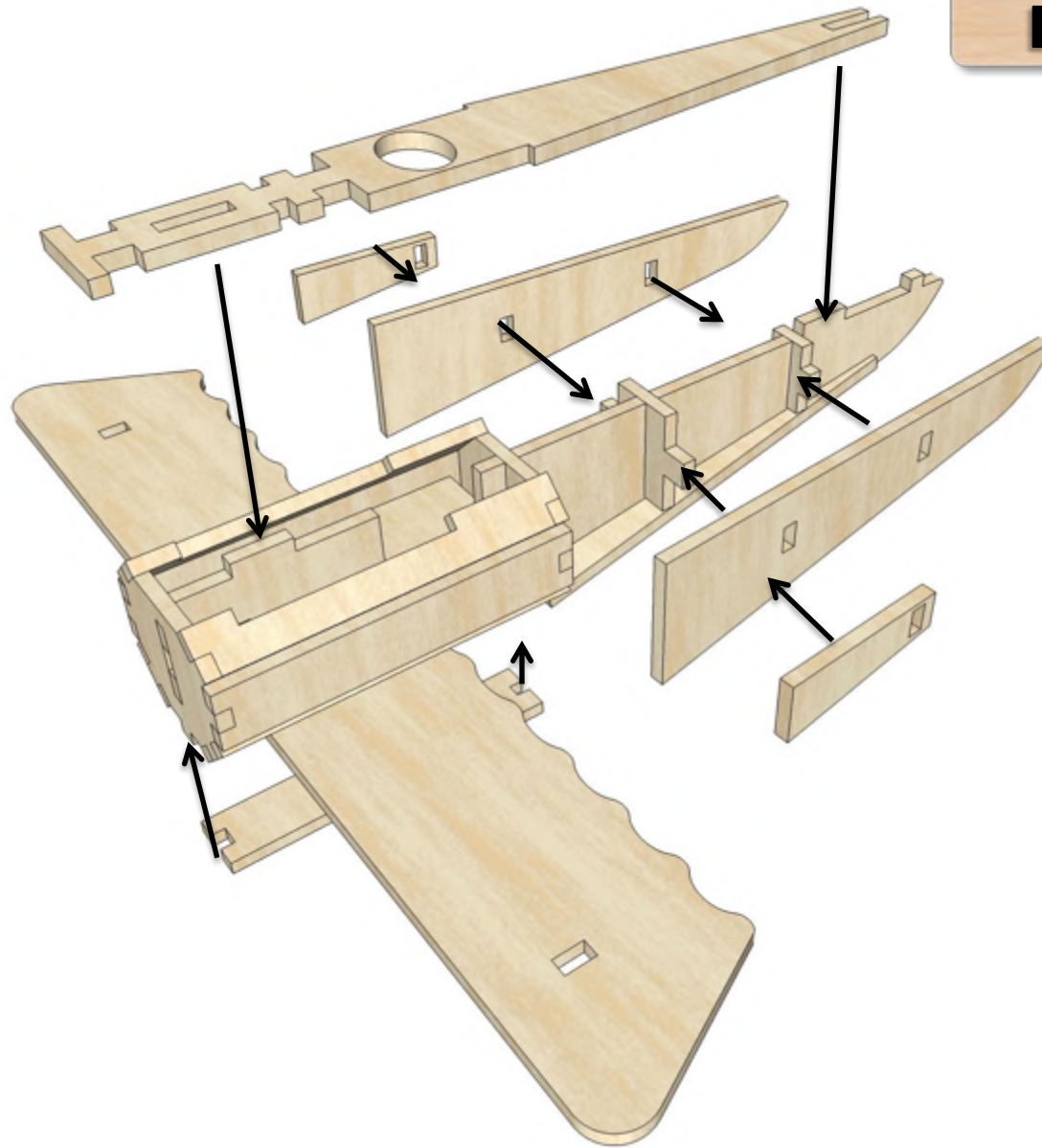
ASSEMBLY STEPS





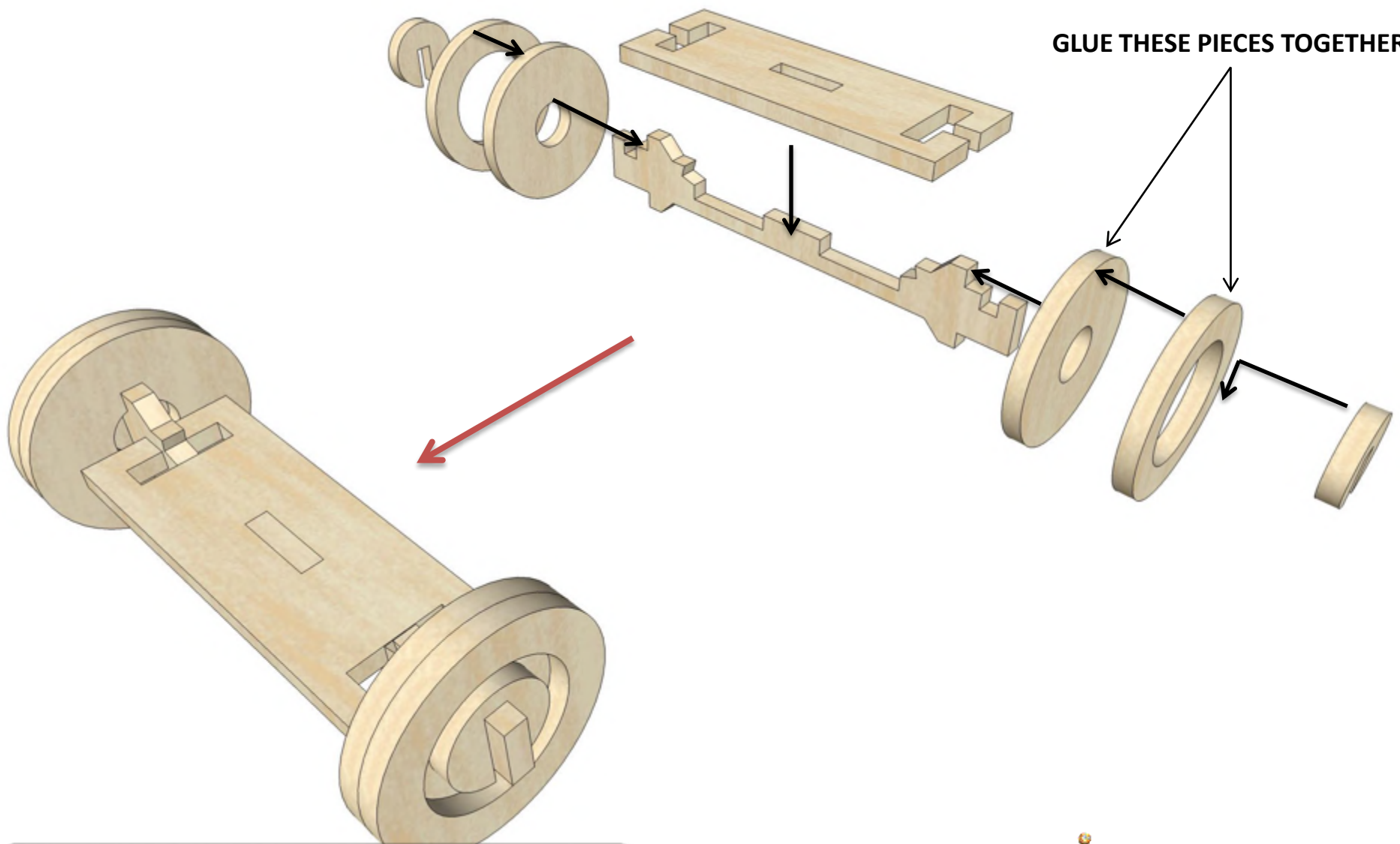
ASSEMBLY STEPS





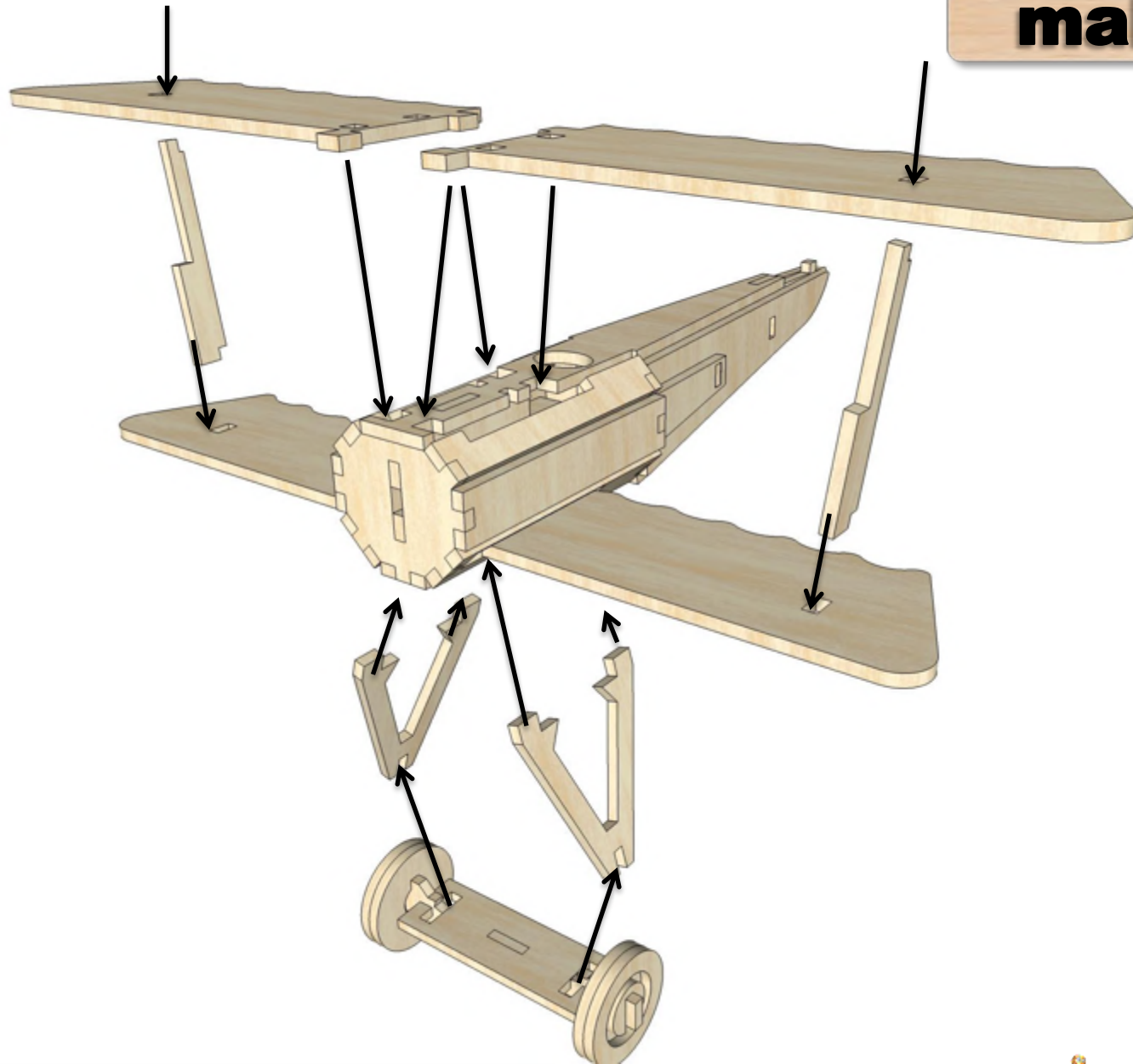
ASSEMBLY STEPS





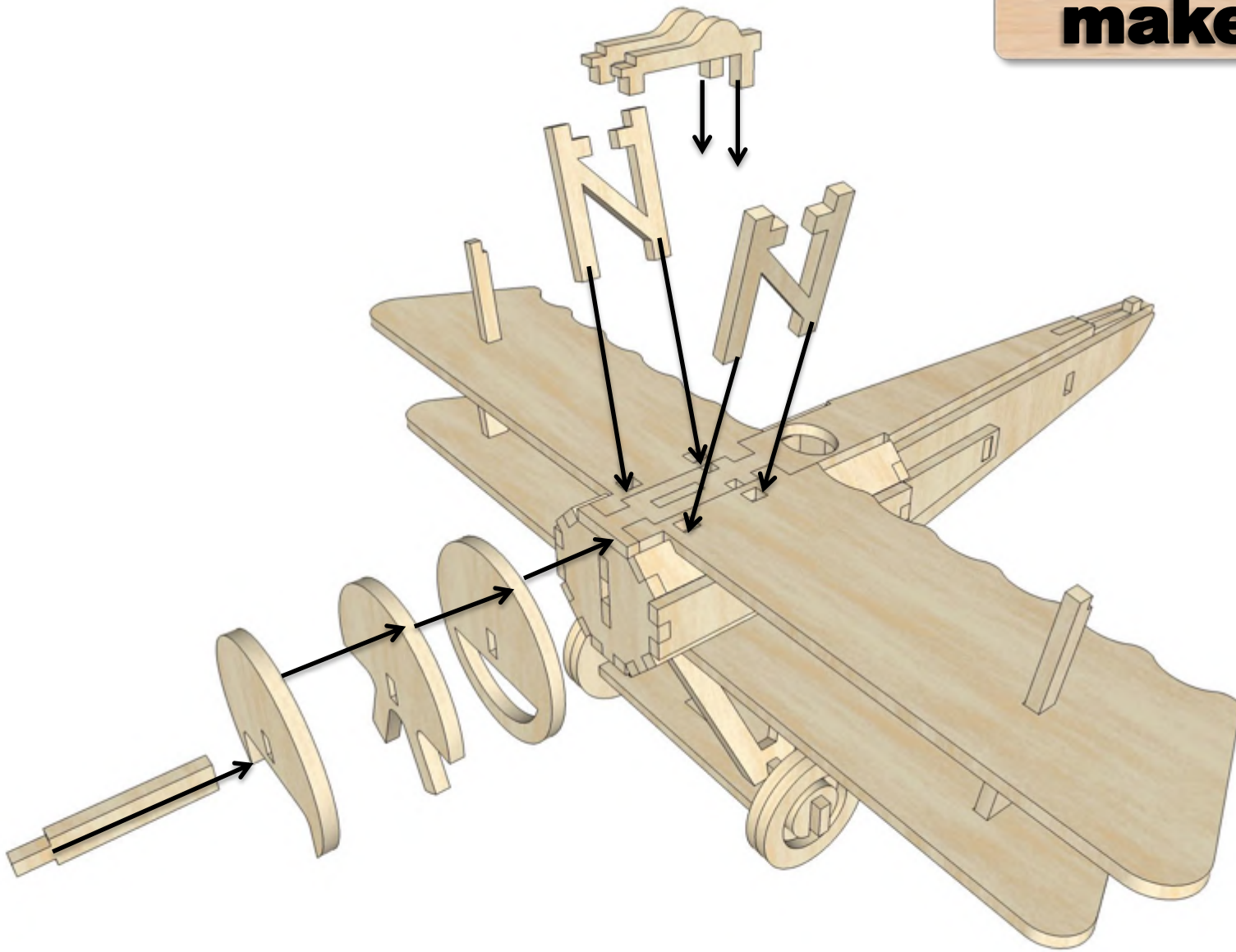
ASSEMBLY STEPS





ASSEMBLY STEPS





ASSEMBLY STEPS





COMPLETED

