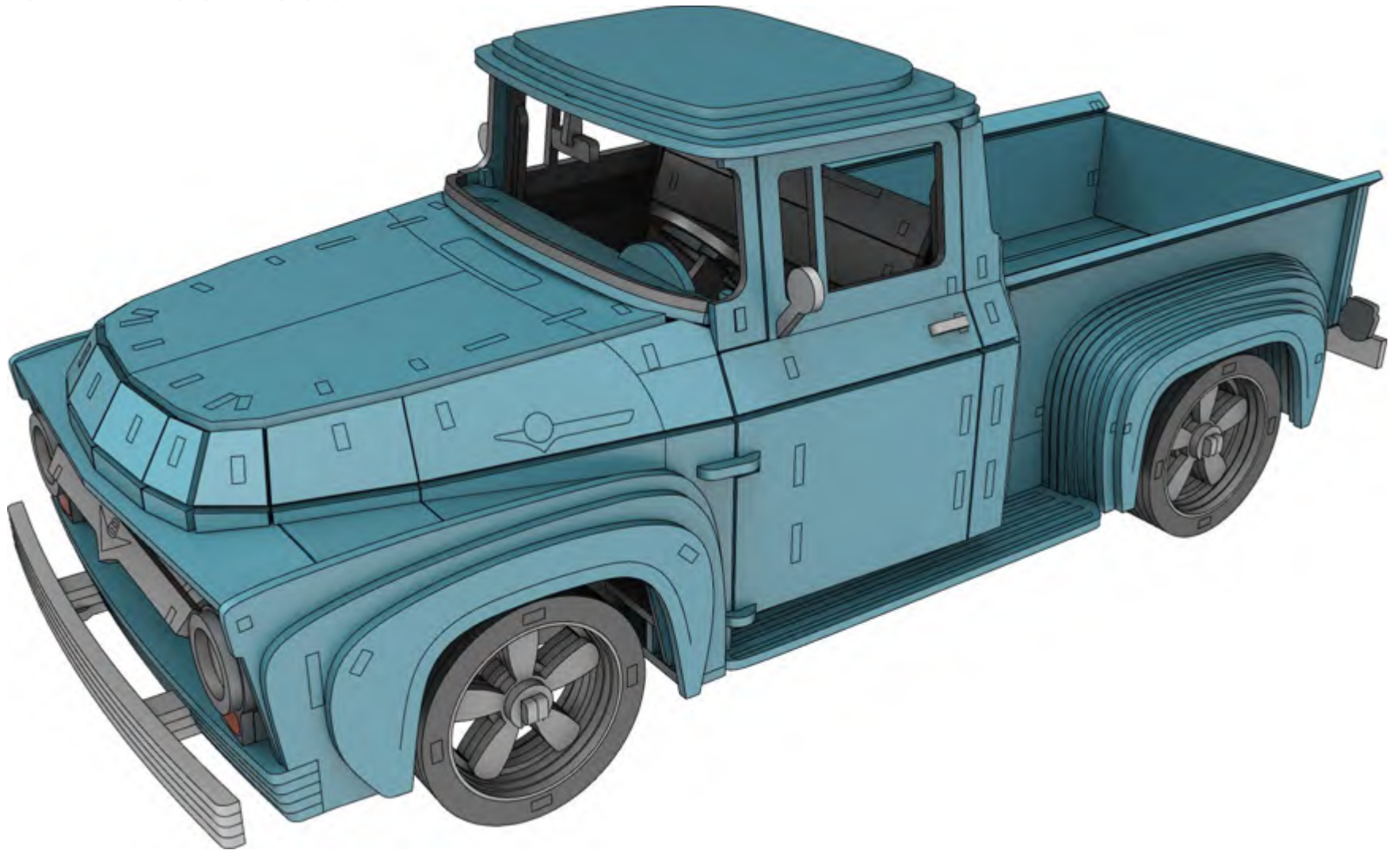
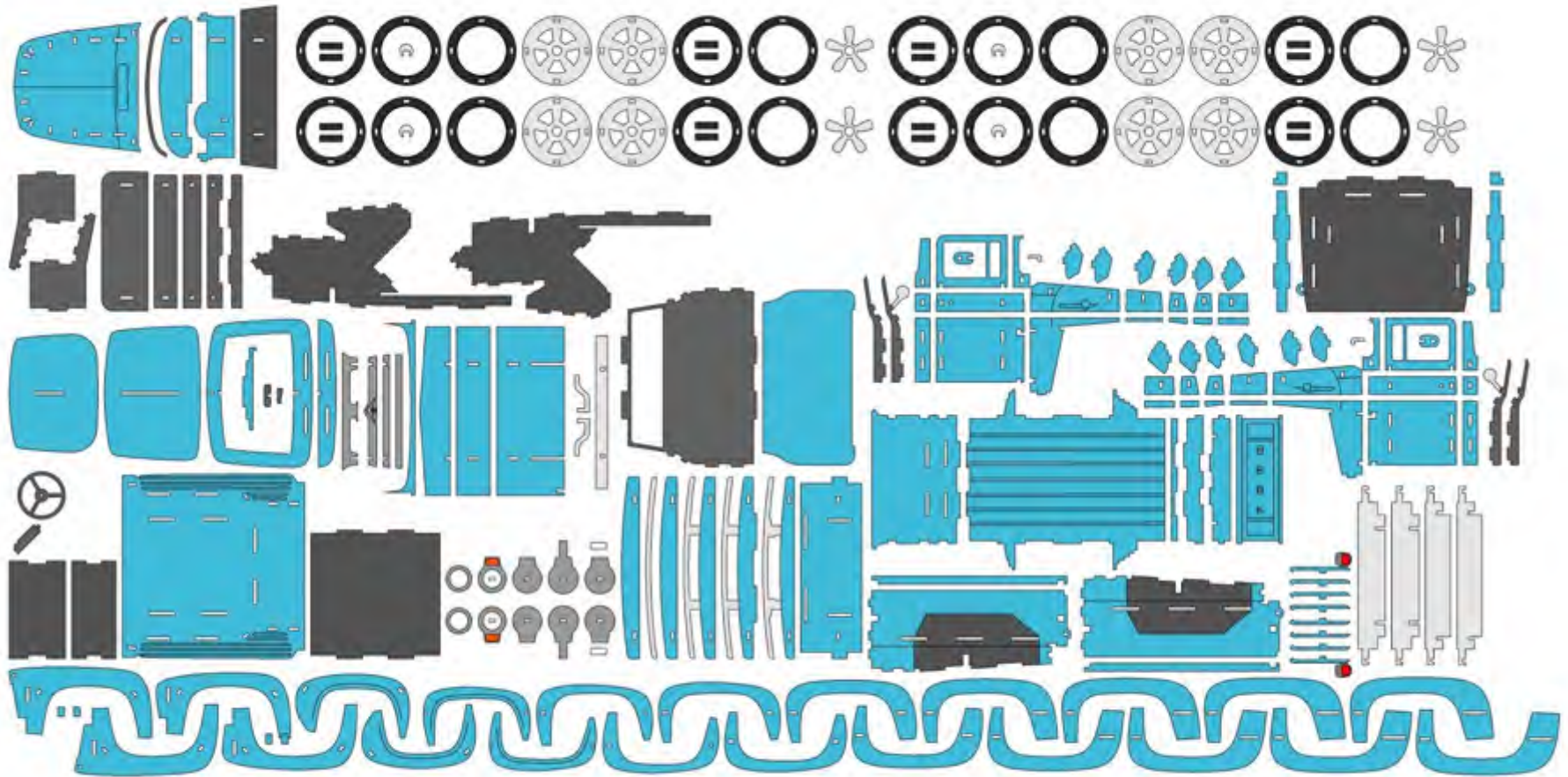


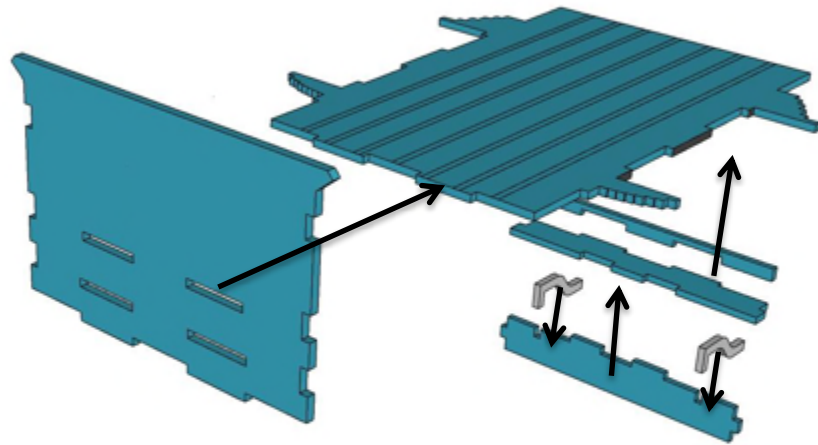
# FORD F100- 1956



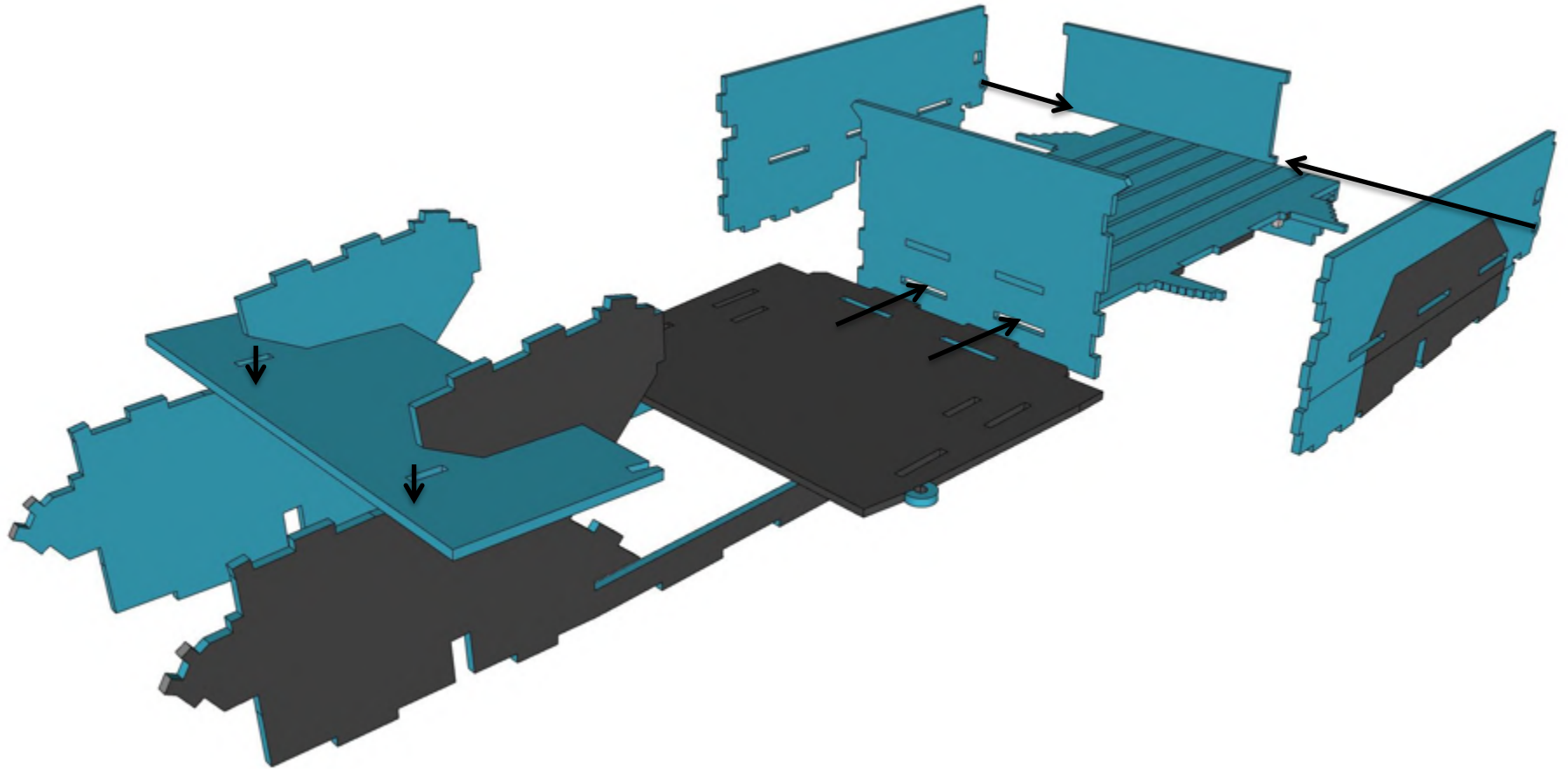
# PARTS LIST



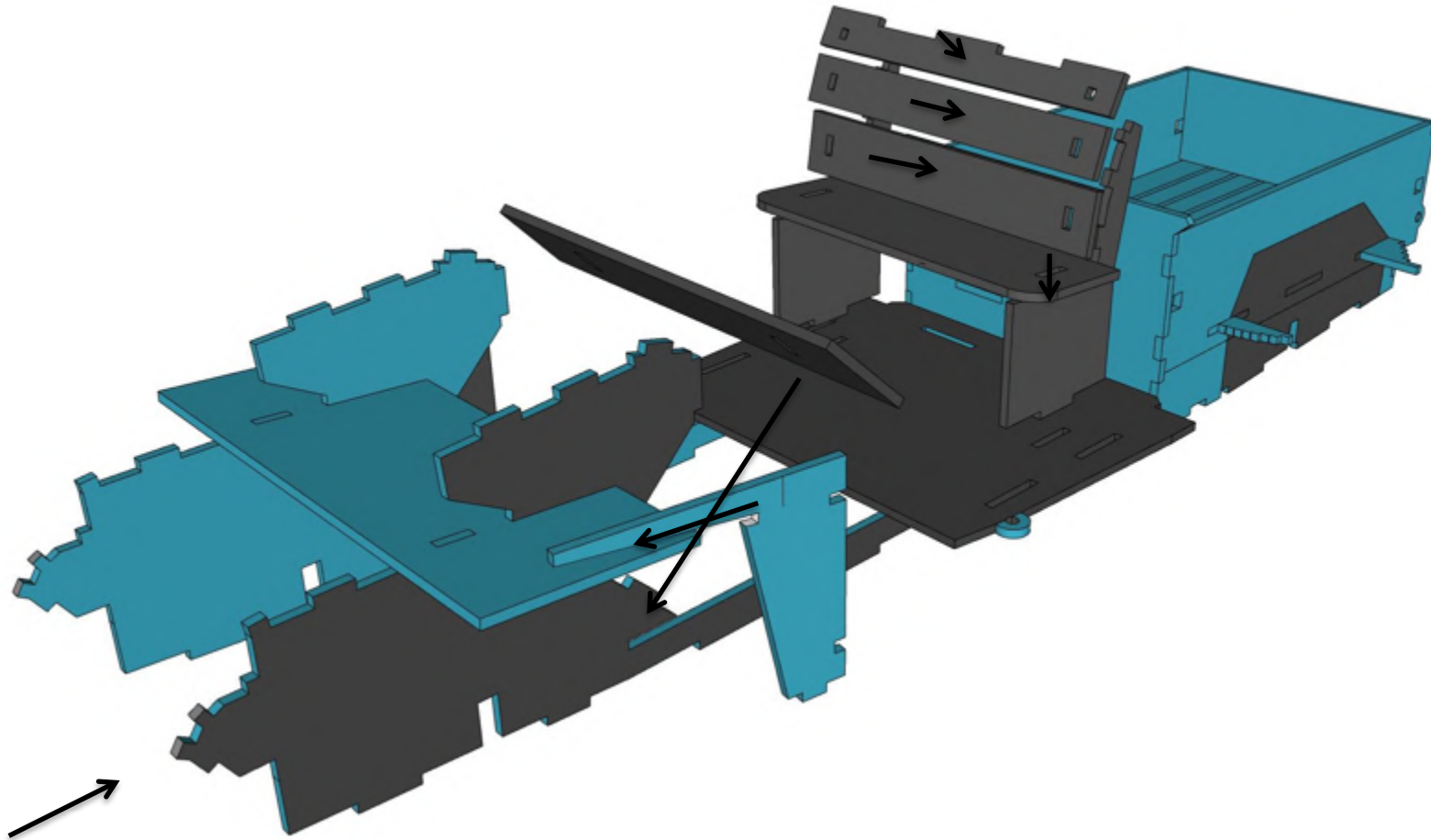
IT IS RECOMMENDED TO GO THROUGH ALL THE PAGES  
AND SEE EACH STEP BEFORE STARTING THE ASSEMBLY



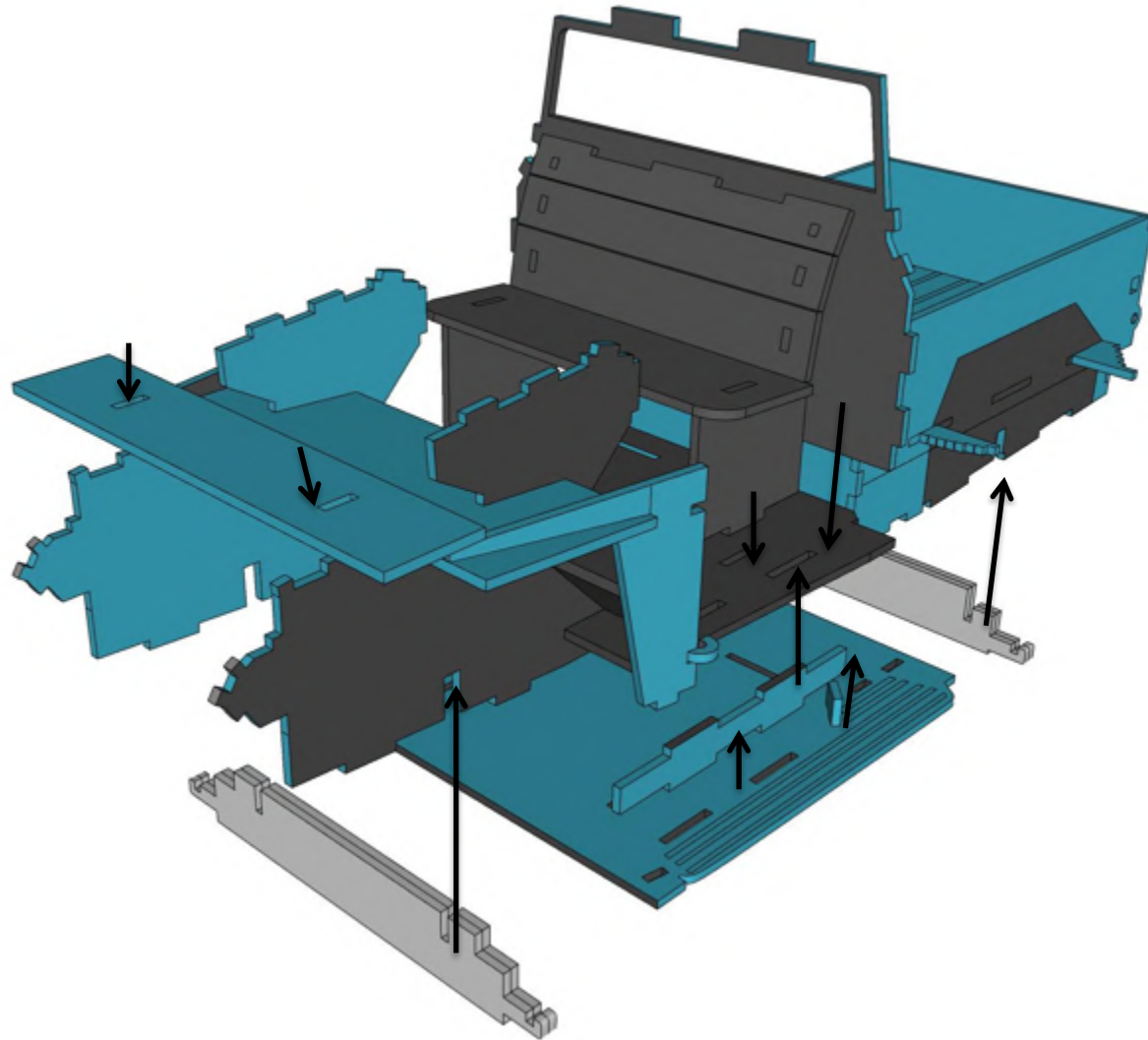
# ASSEMBLY STEPS



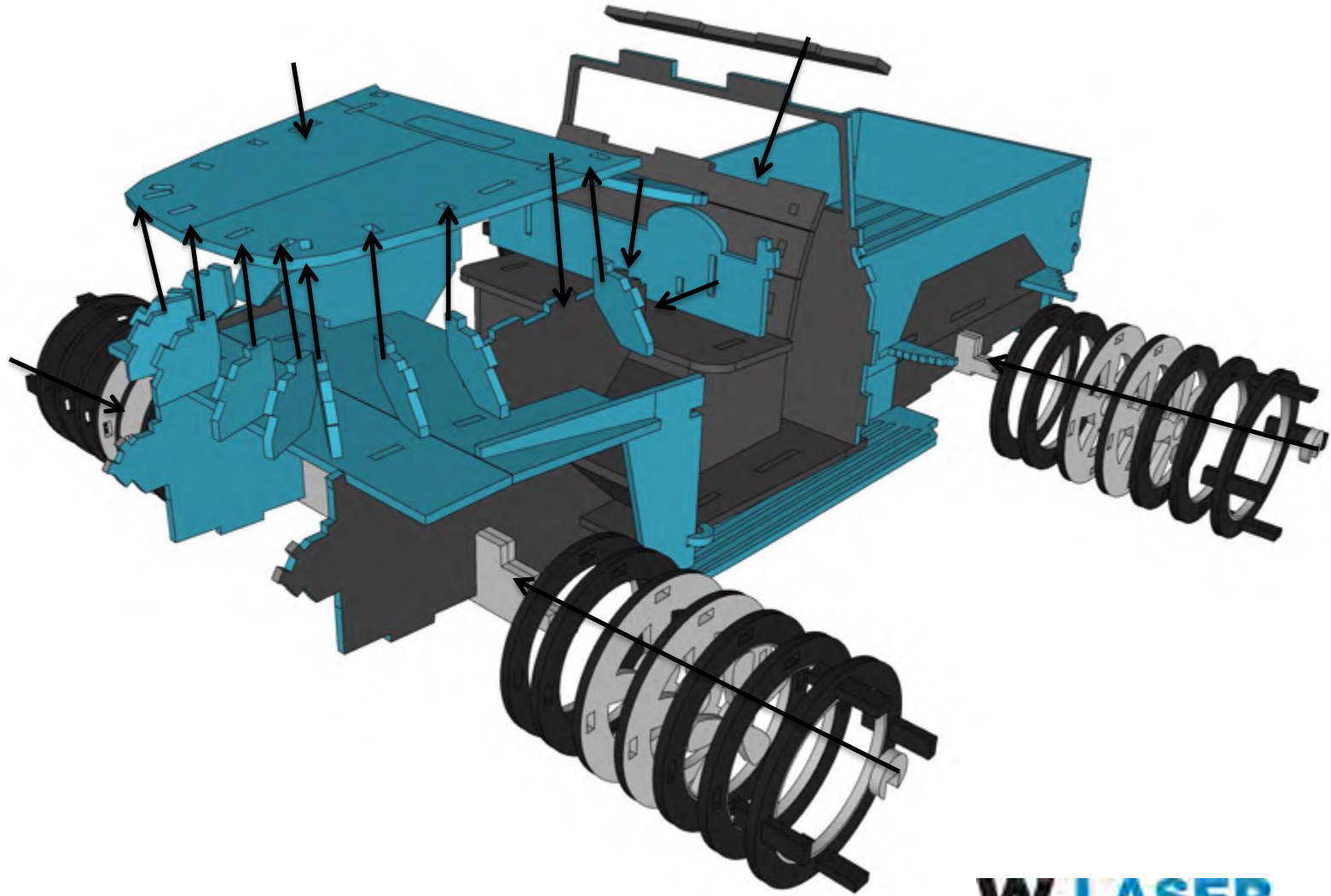
# ASSEMBLY STEPS



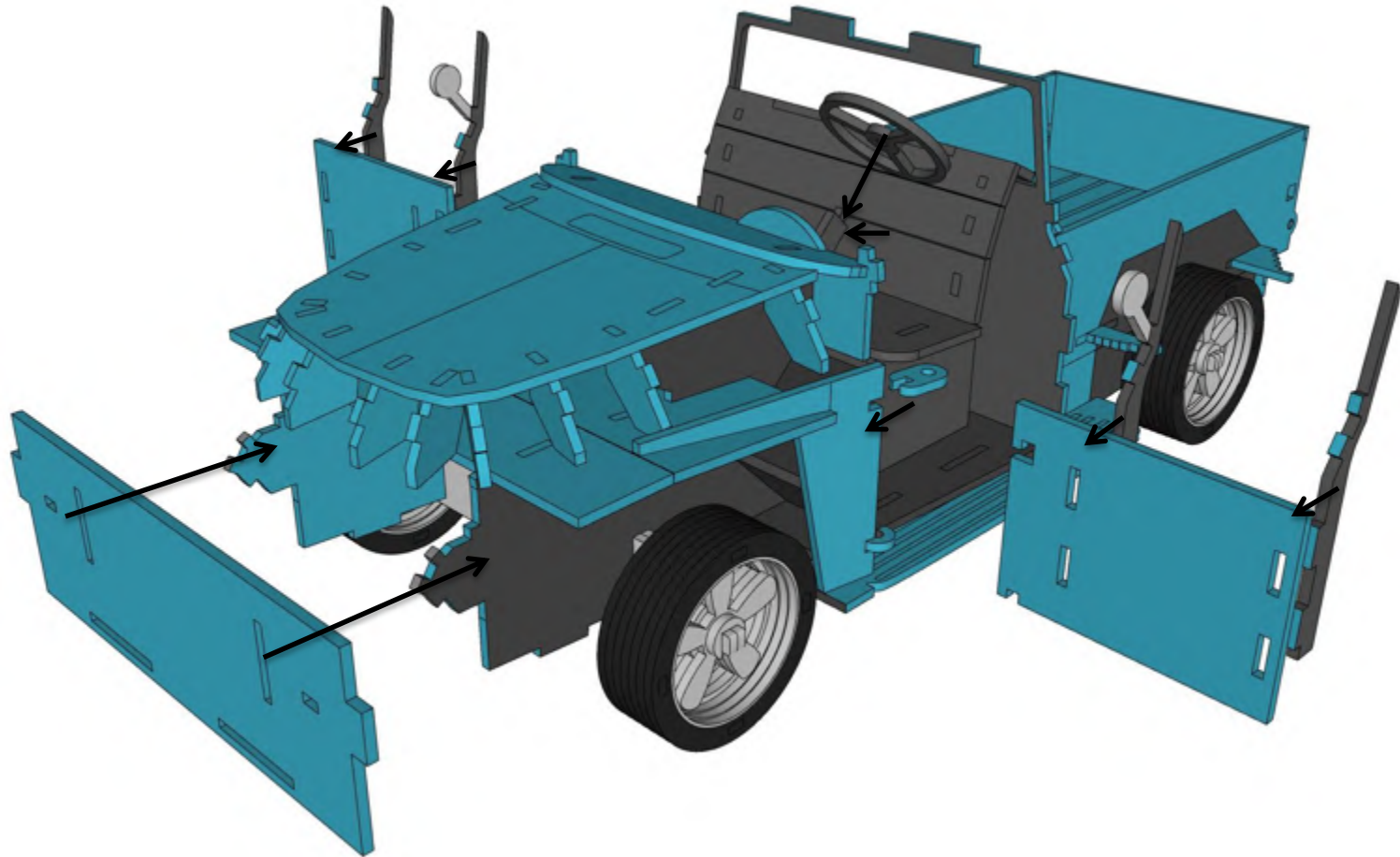
# ASSEMBLY STEPS



# ASSEMBLY STEPS

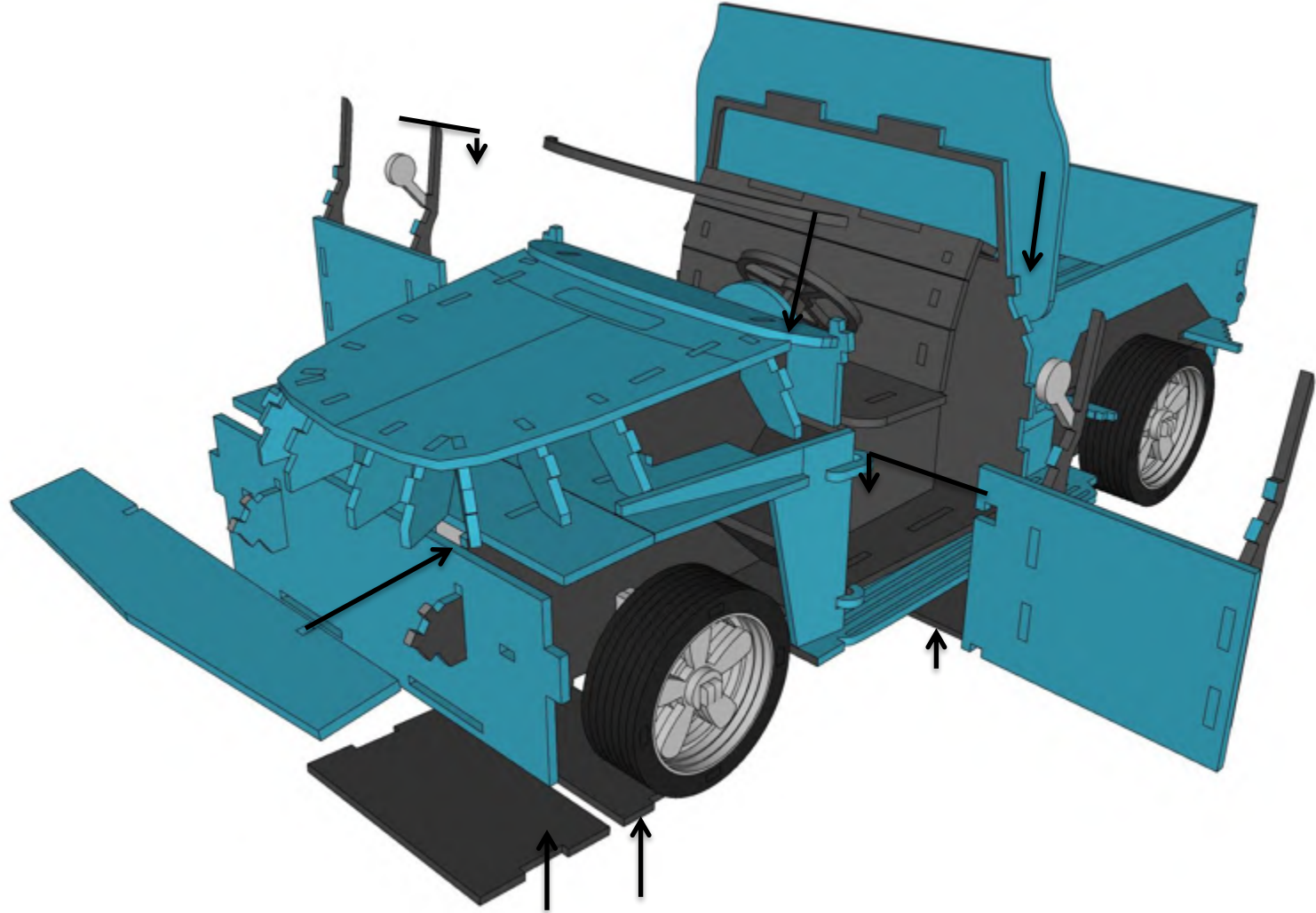


# ASSEMBLY STEPS

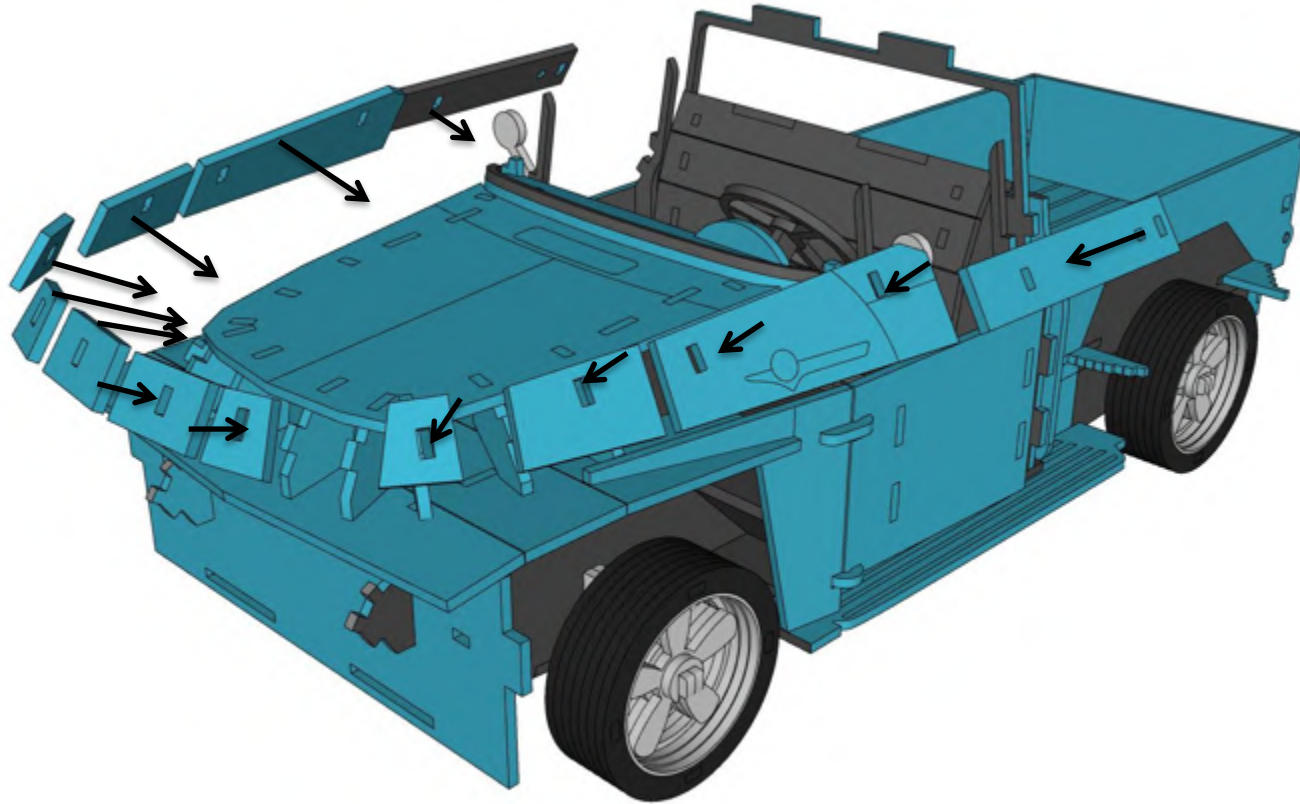




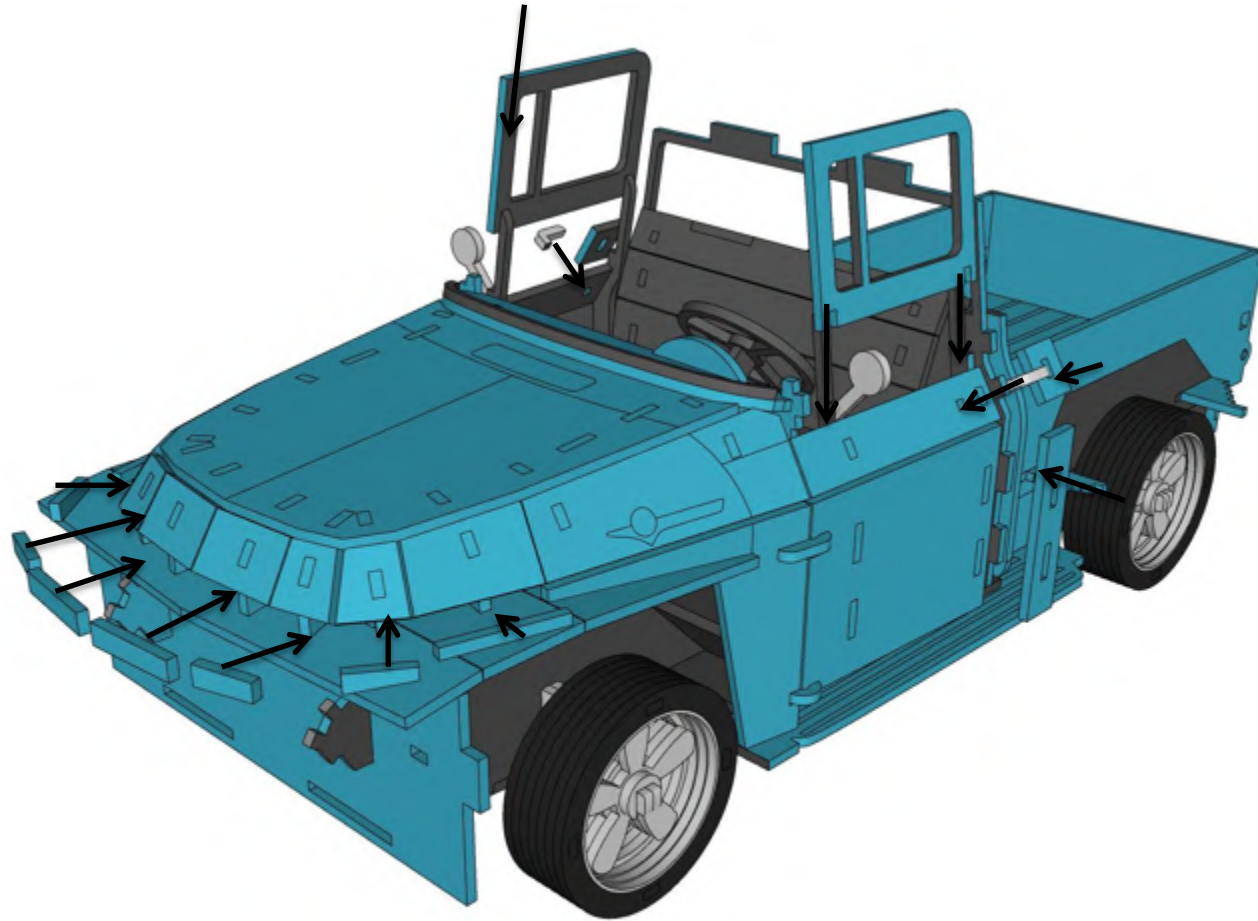
# ASSEMBLY STEPS



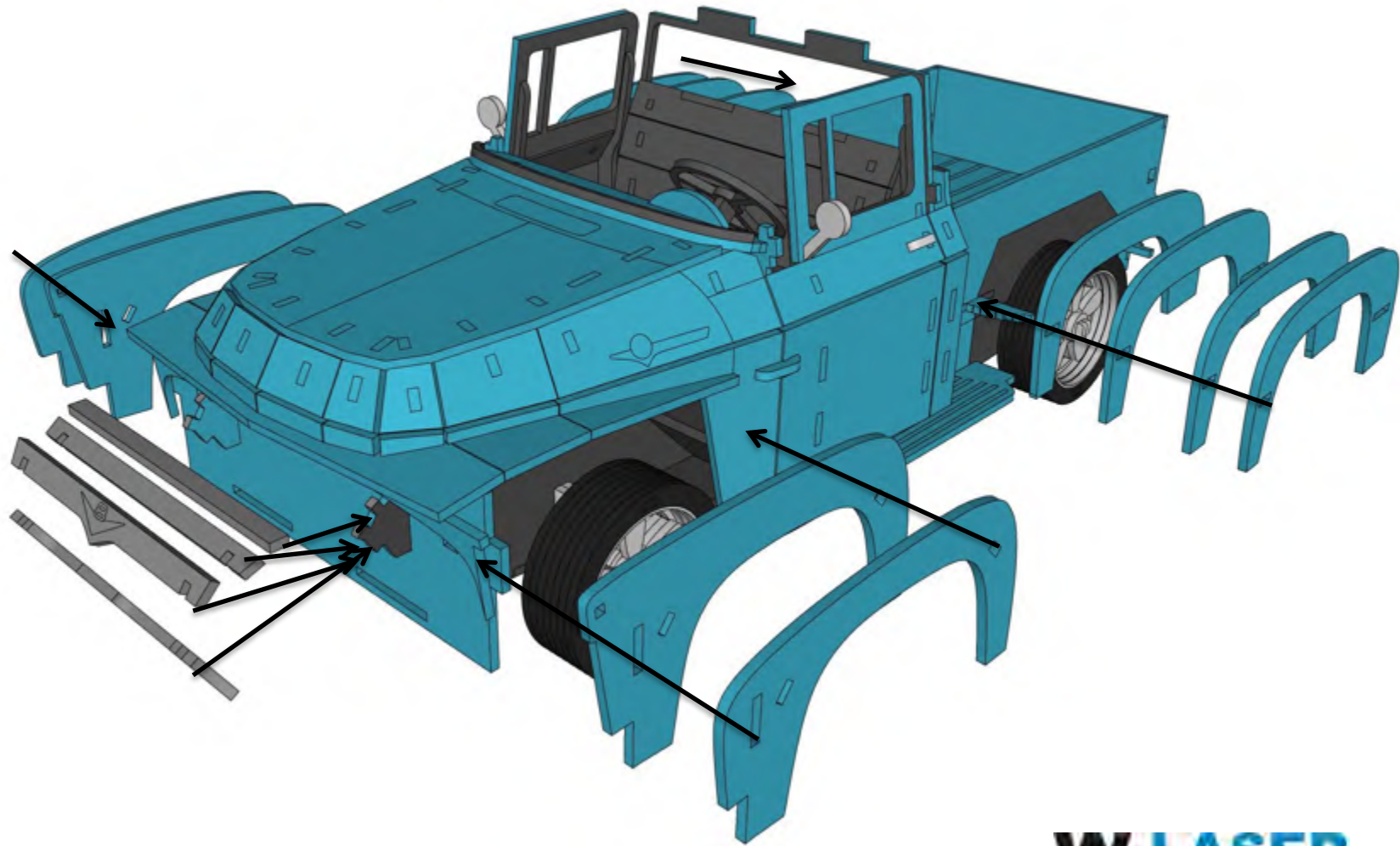
# ASSEMBLY STEPS



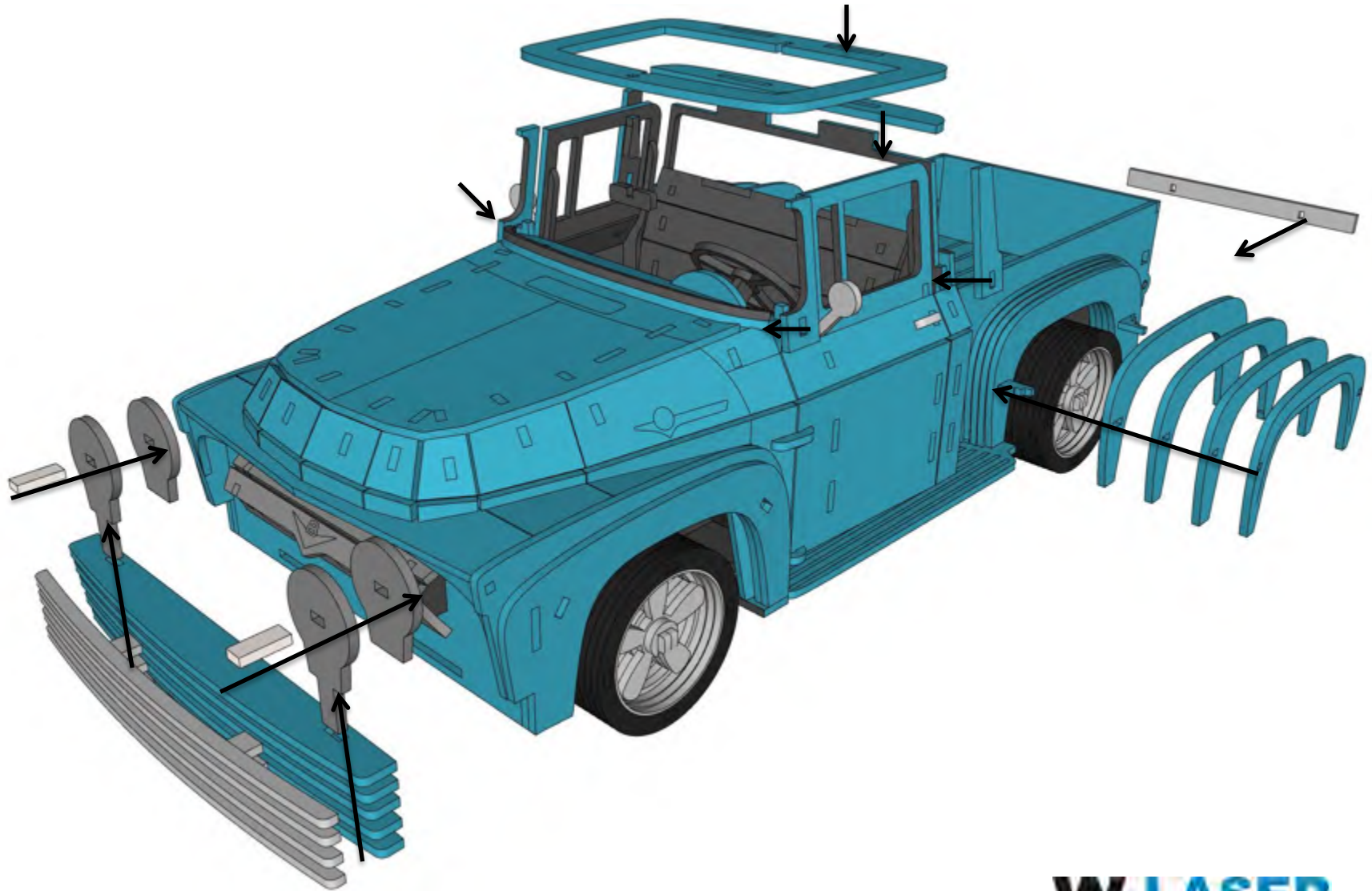
# ASSEMBLY STEPS



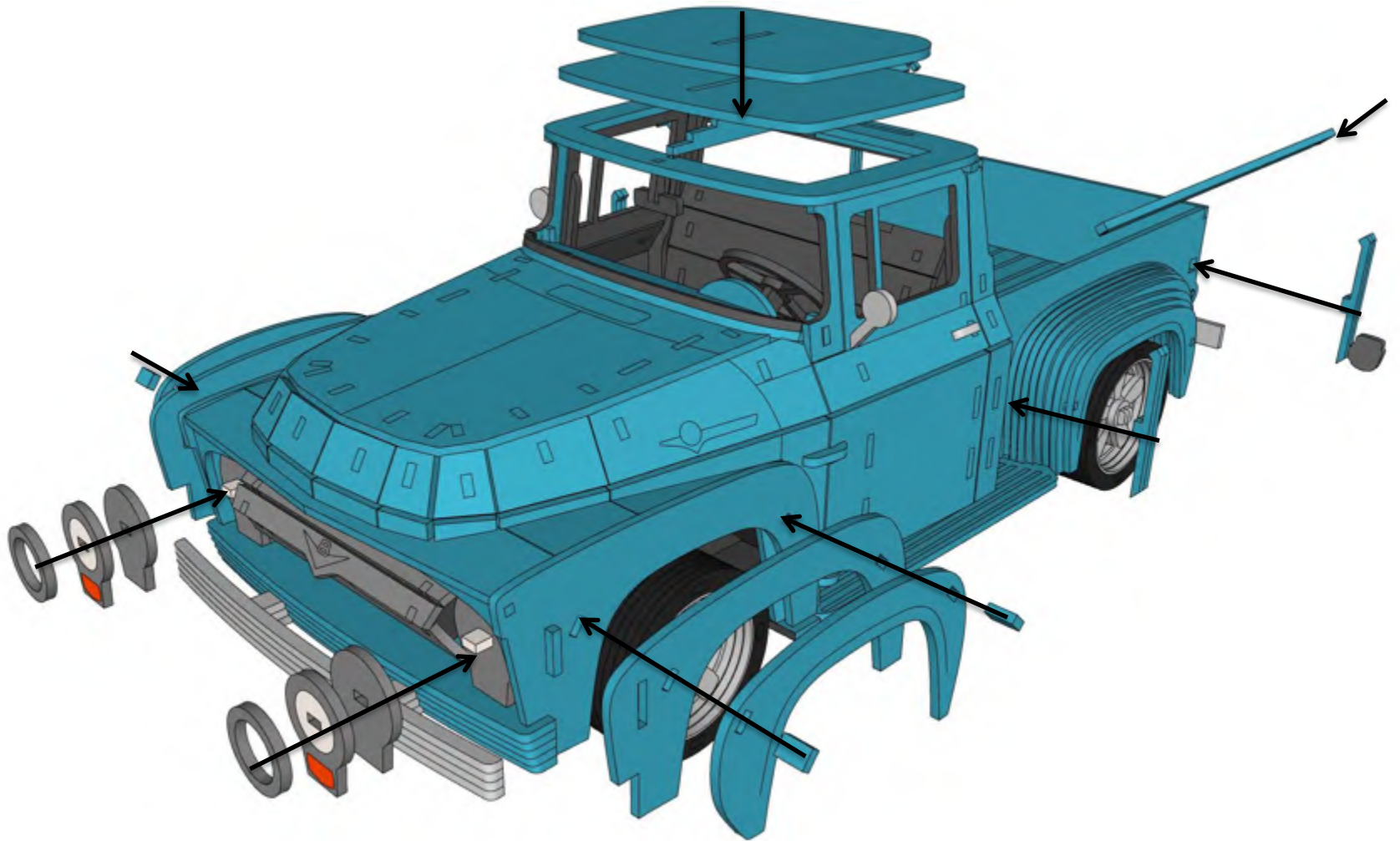
# ASSEMBLY STEPS



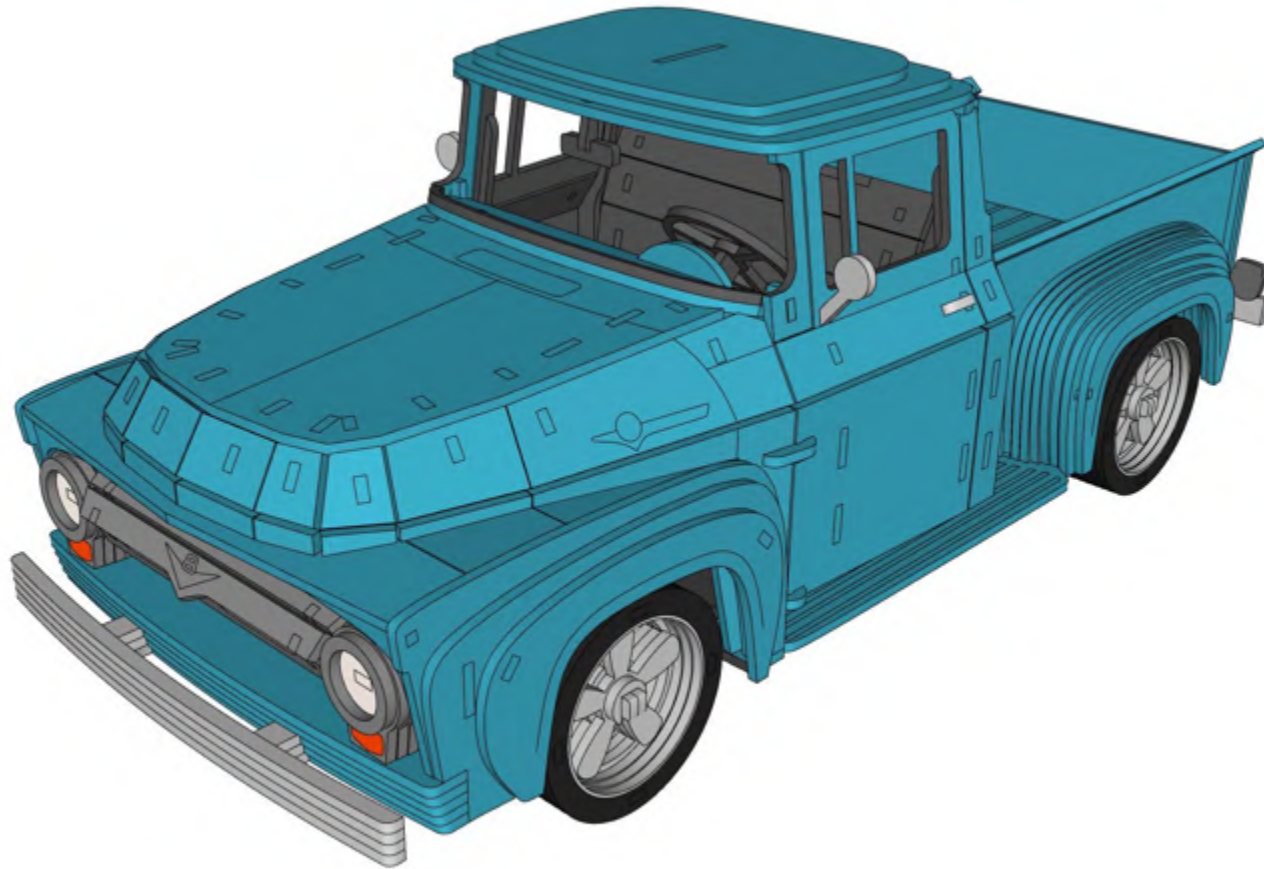
# ASSEMBLY STEPS



# ASSEMBLY STEPS



FINAL



FINAL

