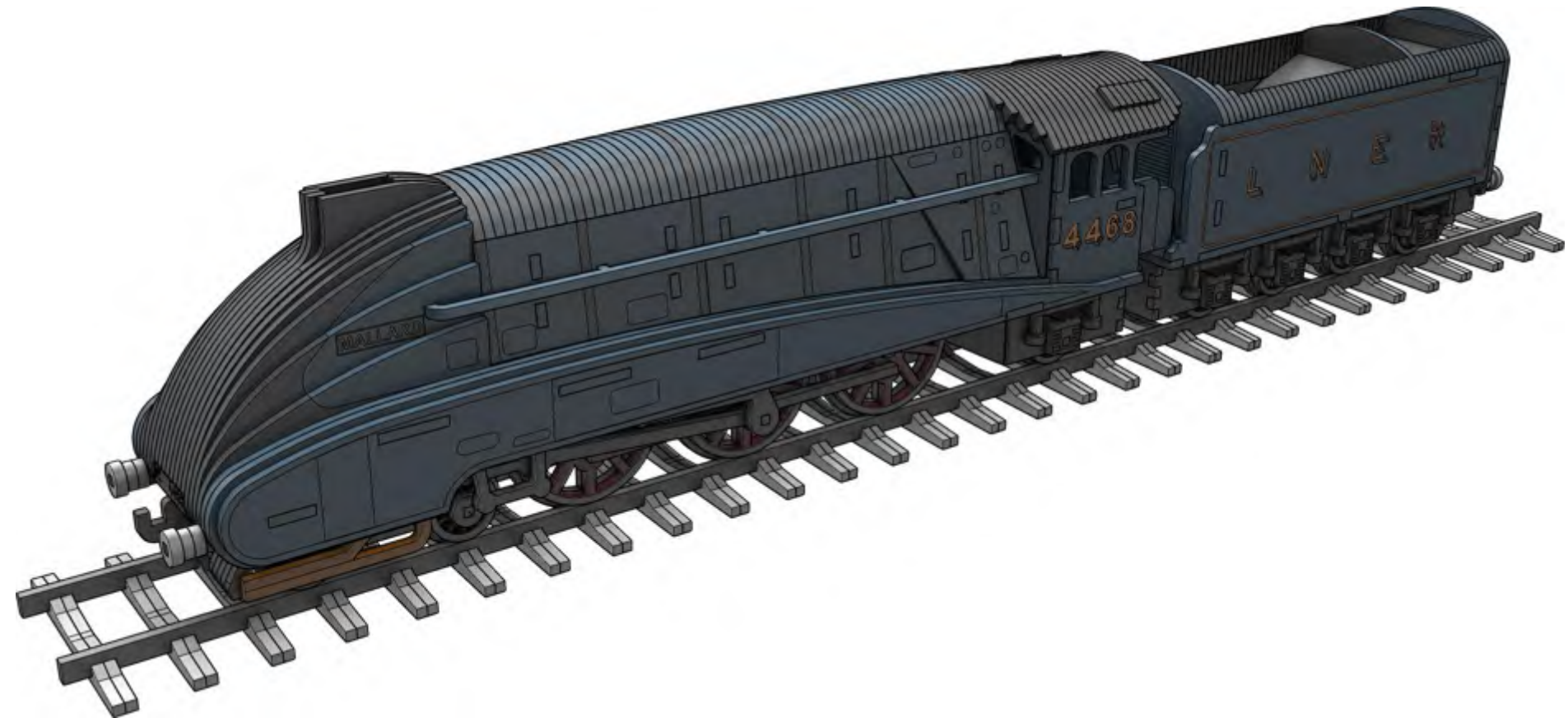
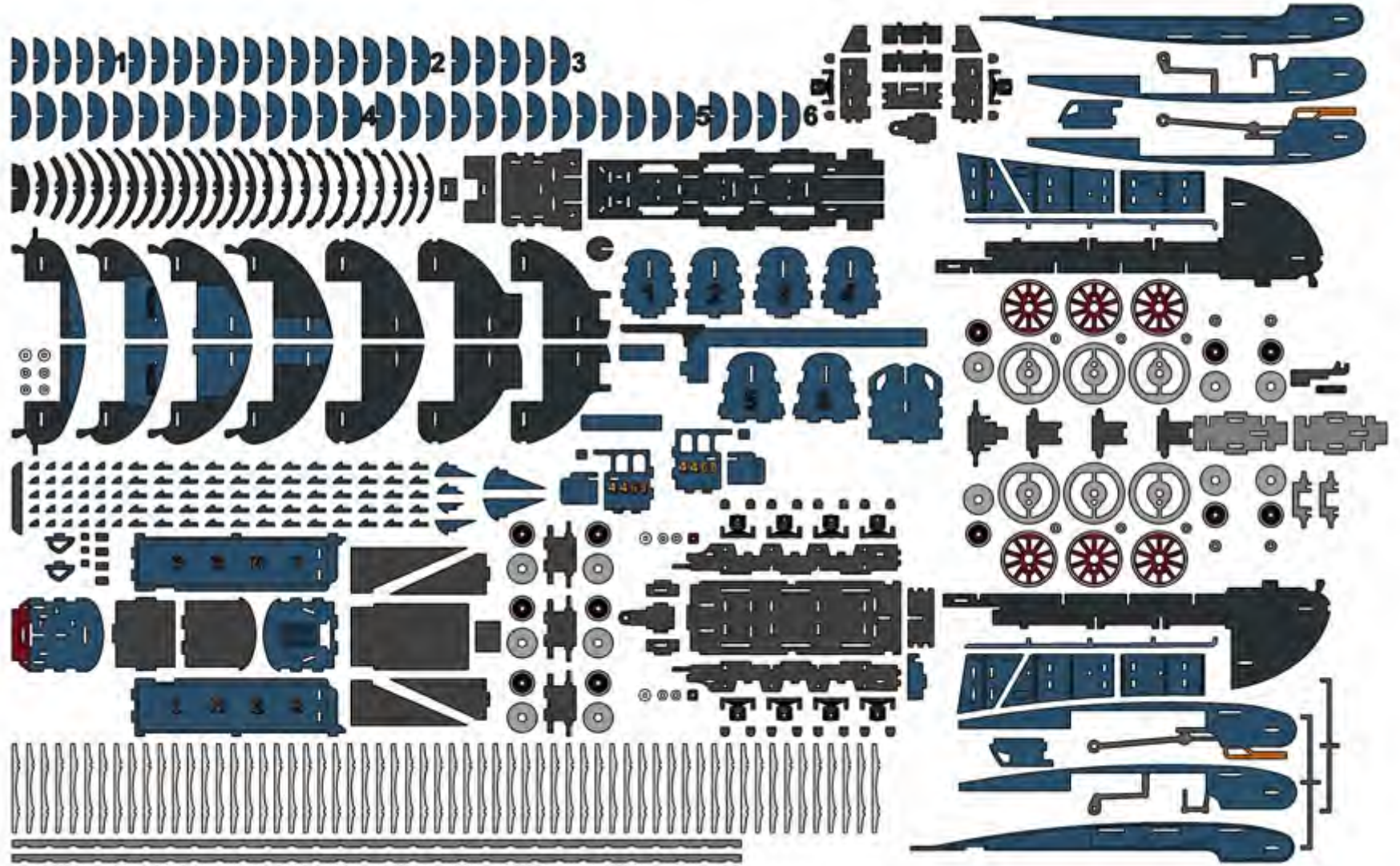


# THE MALLARD TRAIN

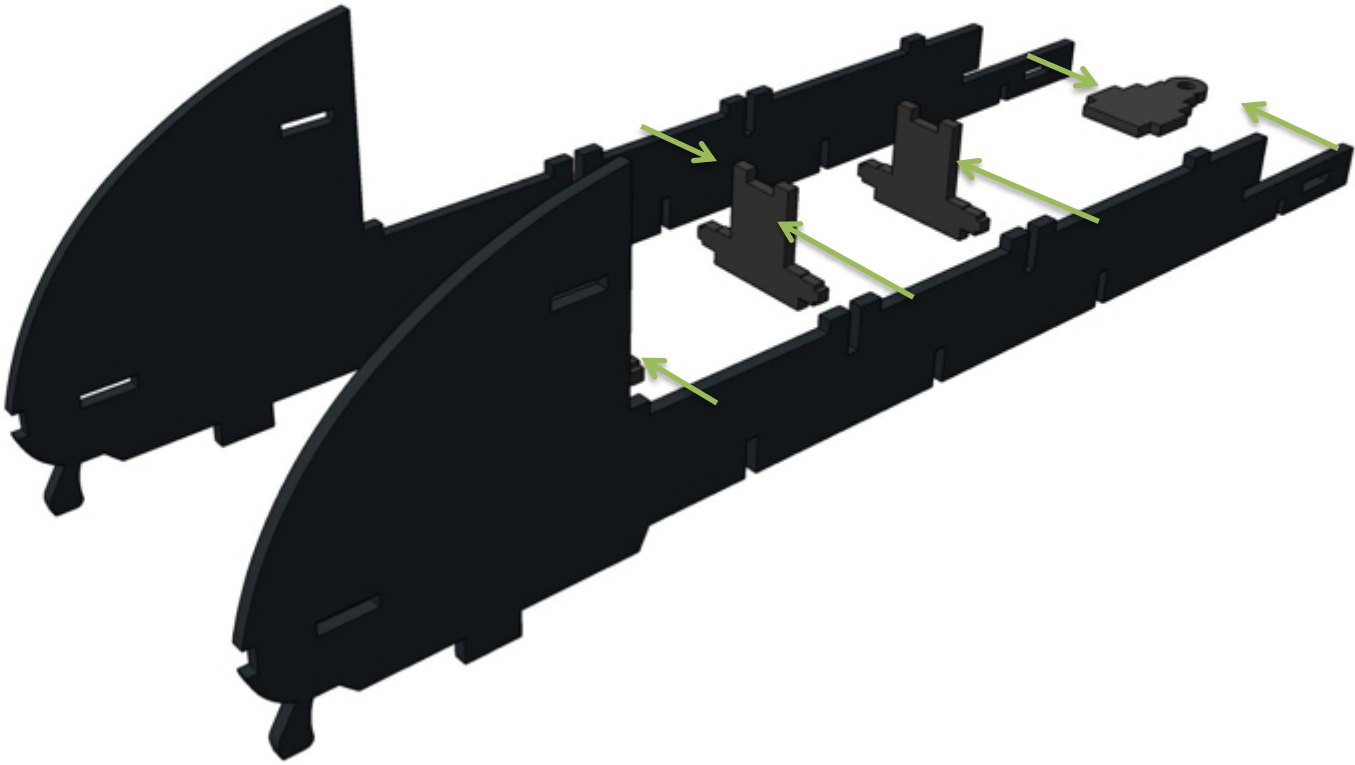


# PARTS LIST



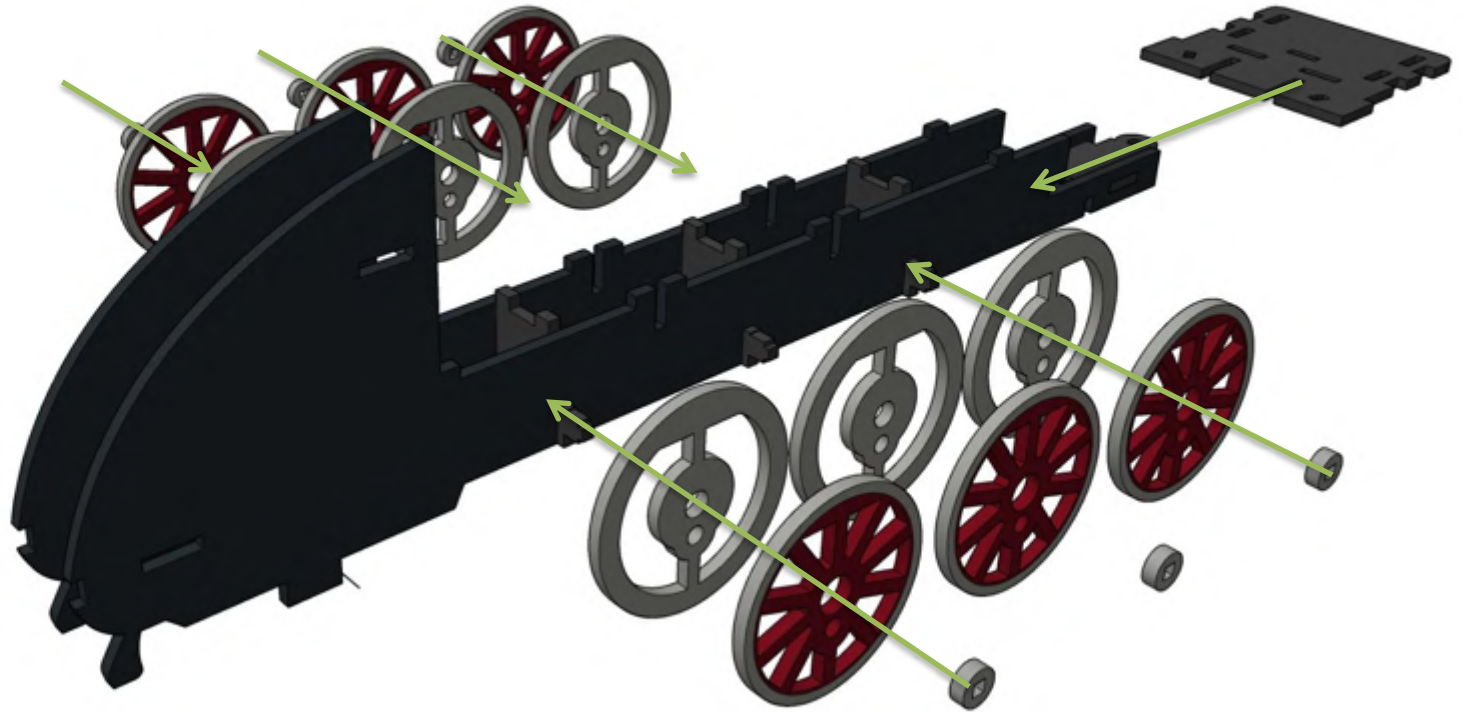
IT IS RECOMMENDED TO GO THROUGH ALL THE PAGES  
AND SEE EACH STEP BEFORE STARTING THE ASSEMBLY

# ASSEMBLY STEPS

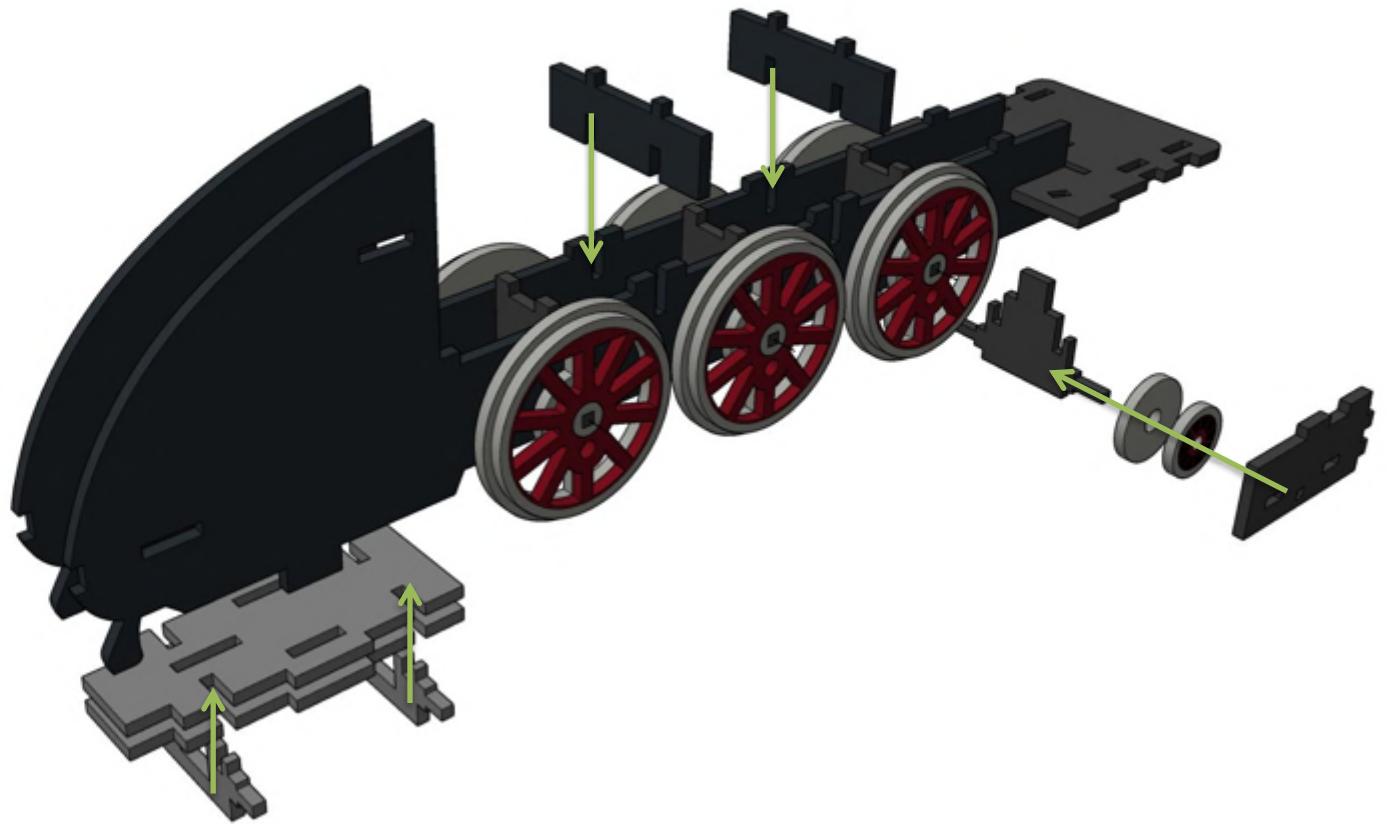




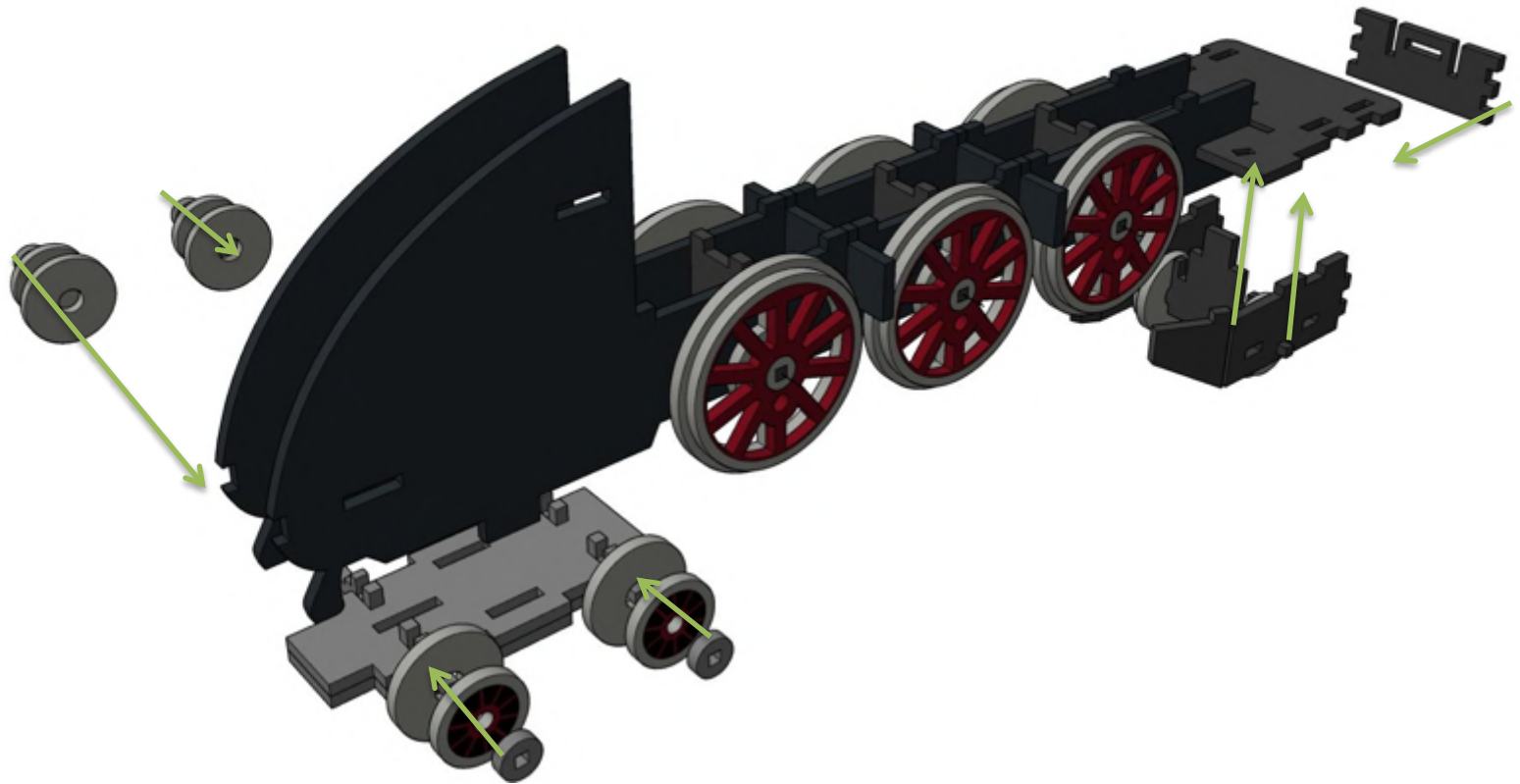
# ASSEMBLY STEPS



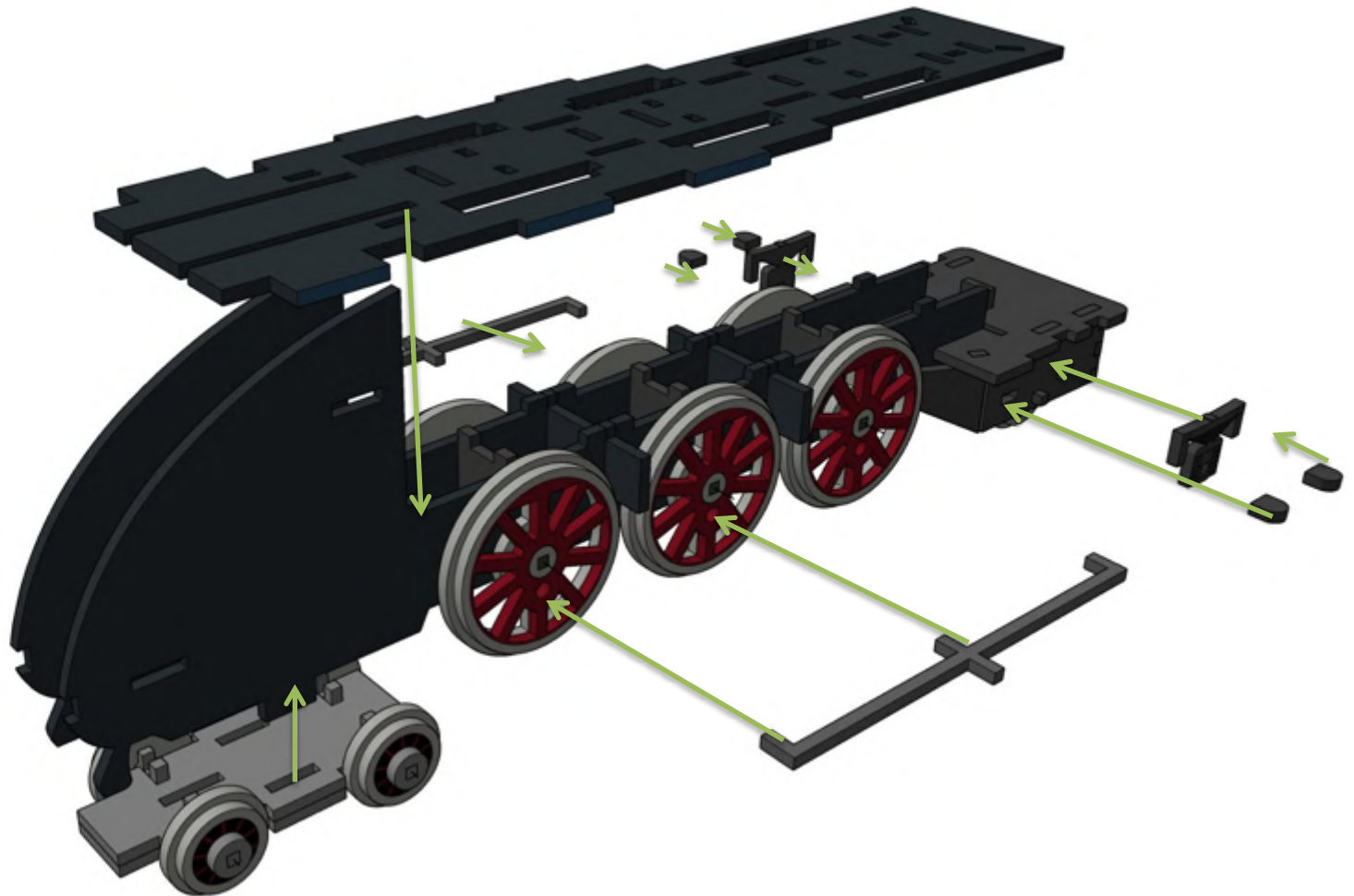
# ASSEMBLY STEPS



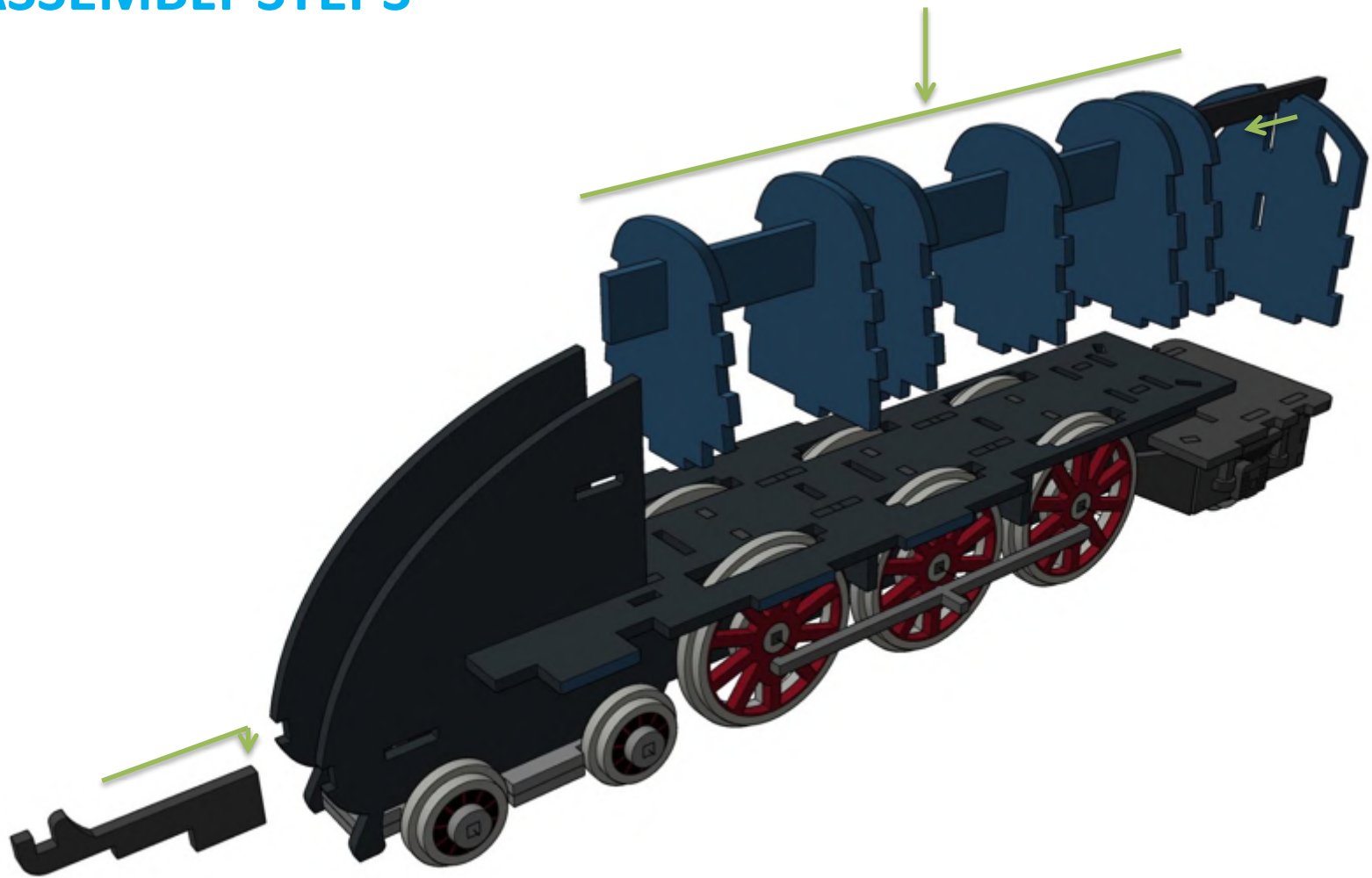
# ASSEMBLY STEPS



# ASSEMBLY STEPS

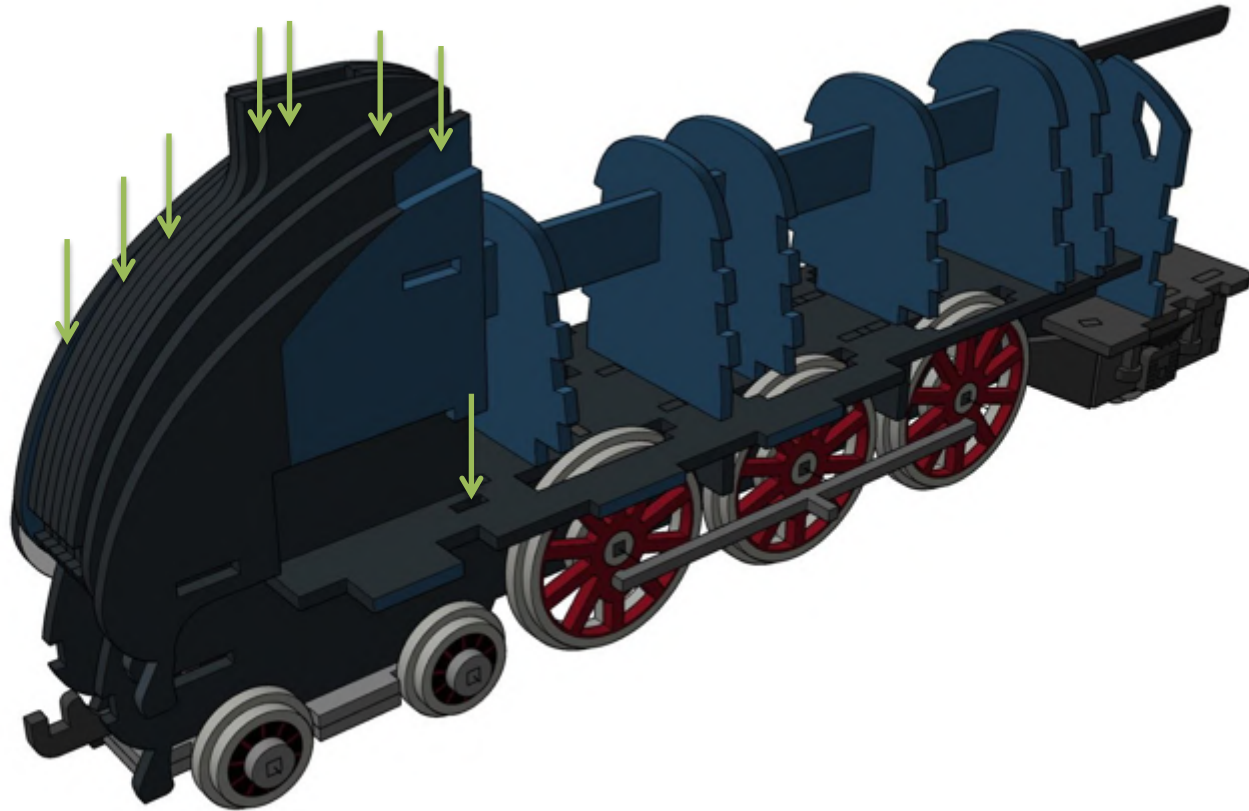


# ASSEMBLY STEPS

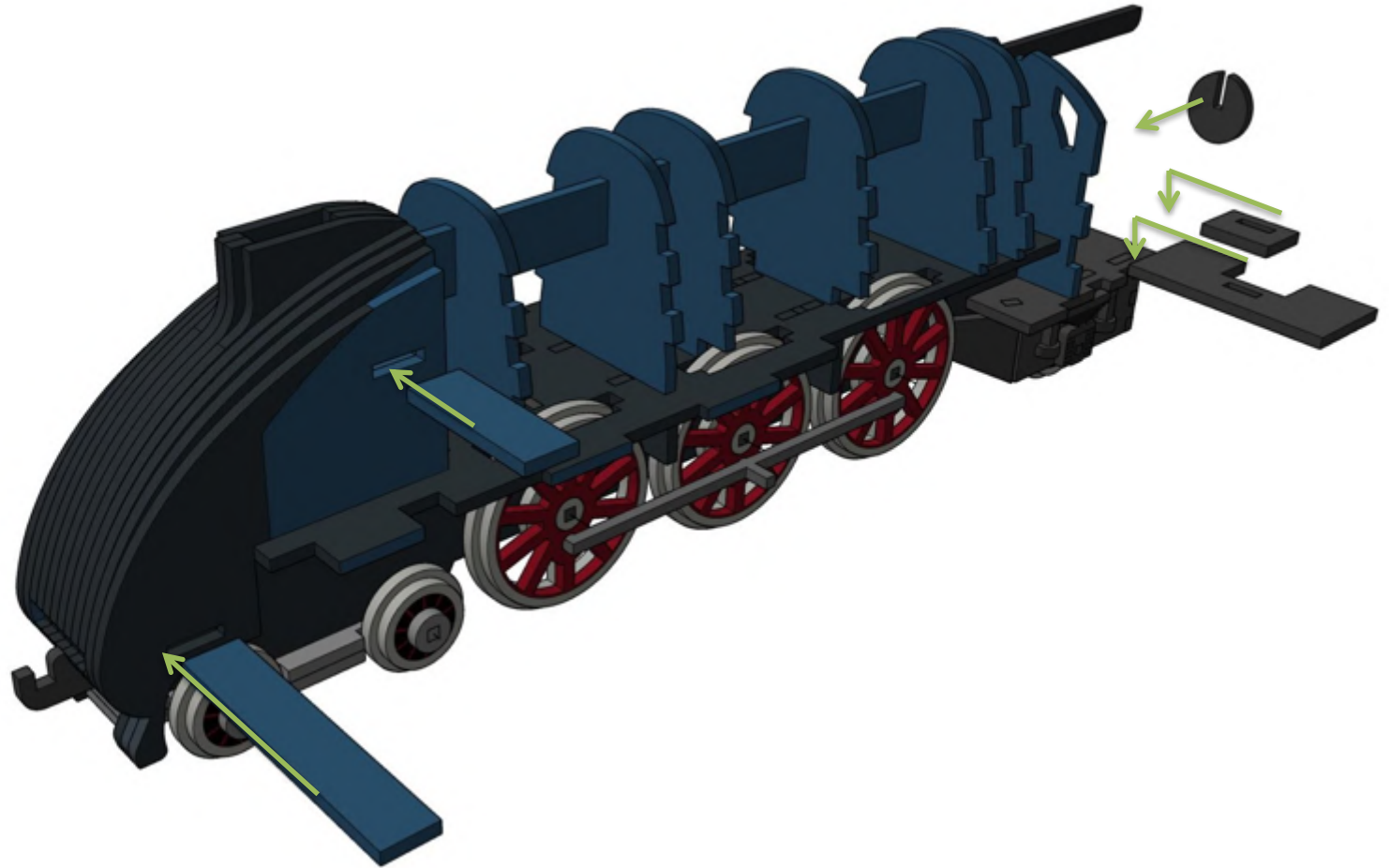




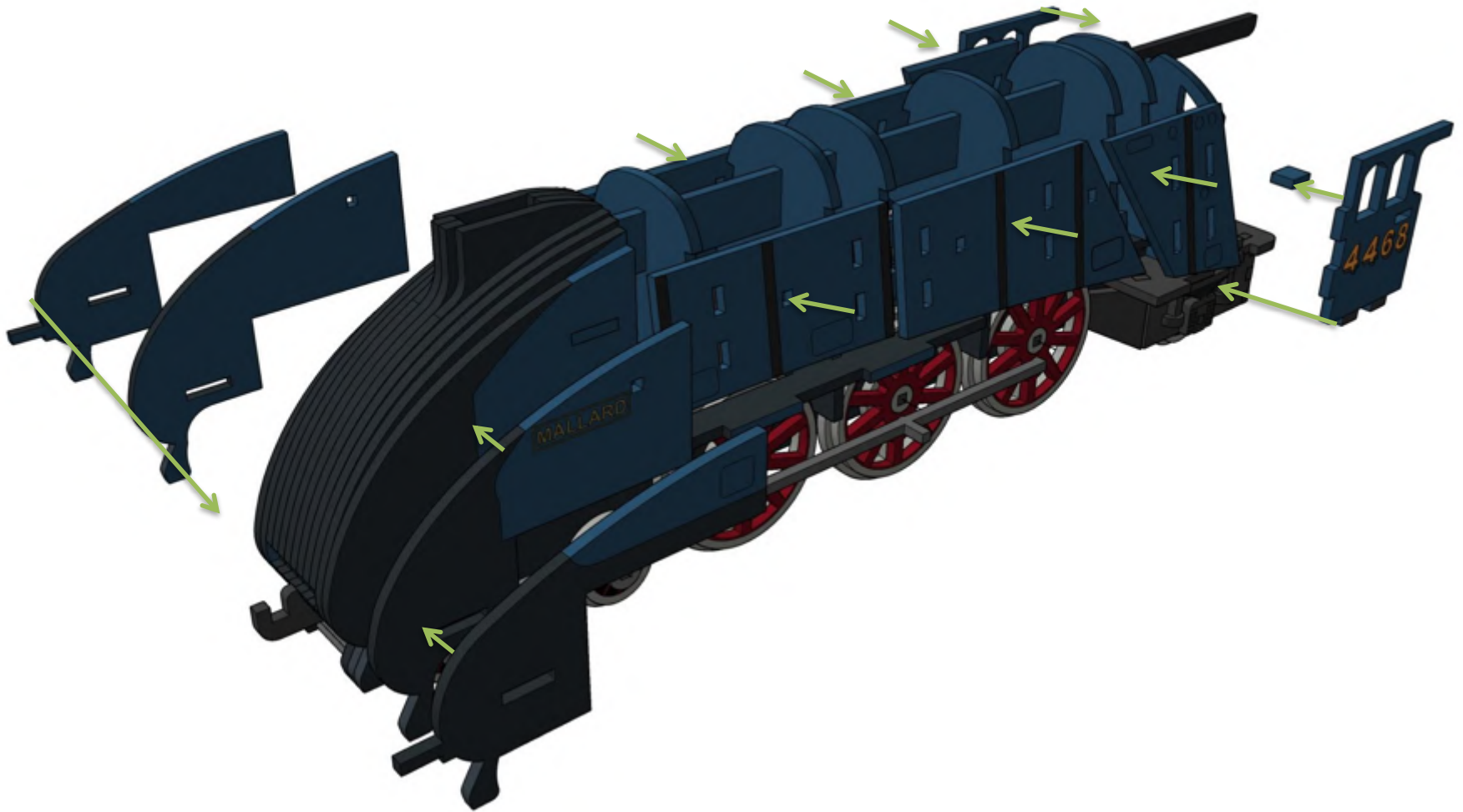
# ASSEMBLY STEPS



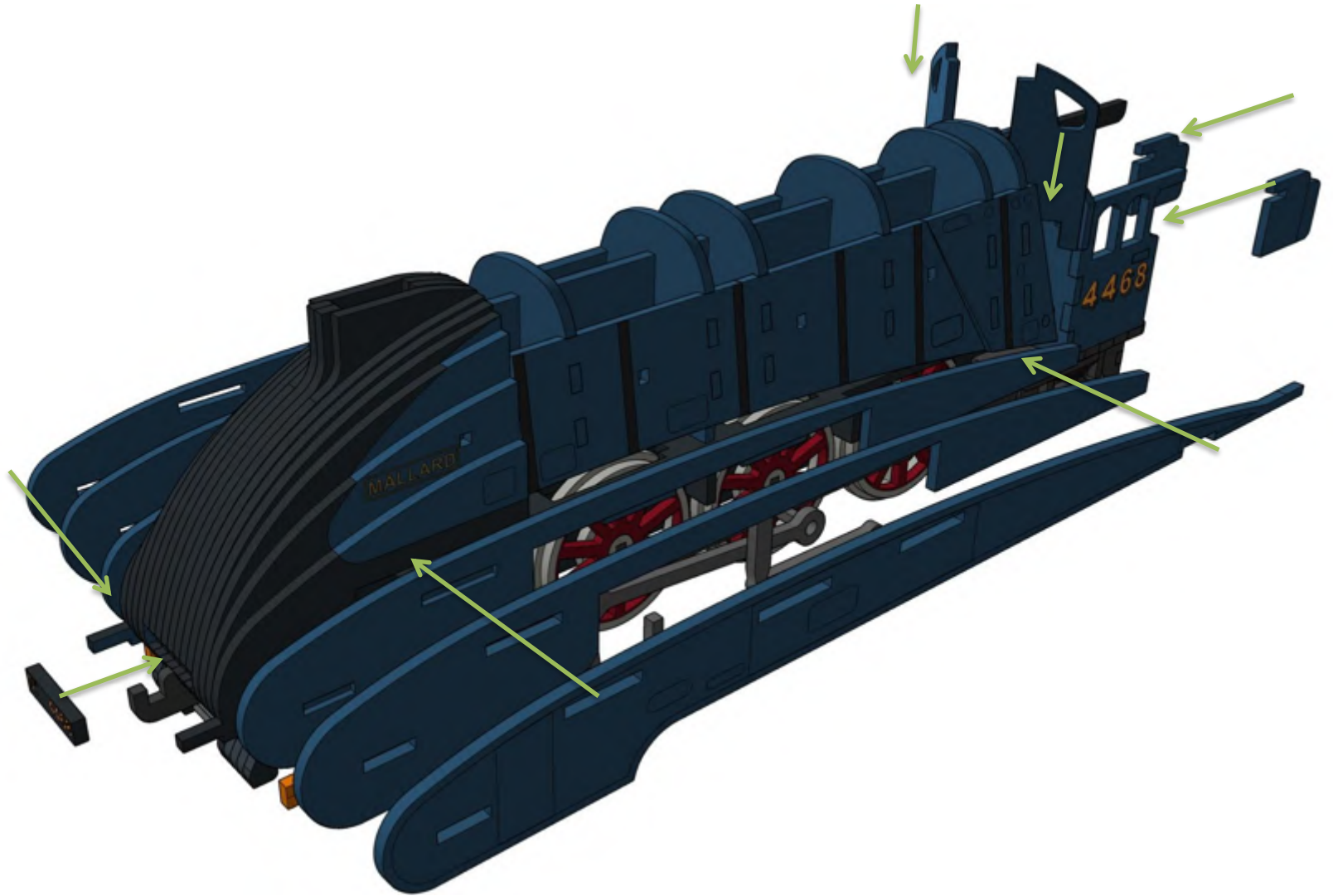
# ASSEMBLY STEPS



# ASSEMBLY STEPS

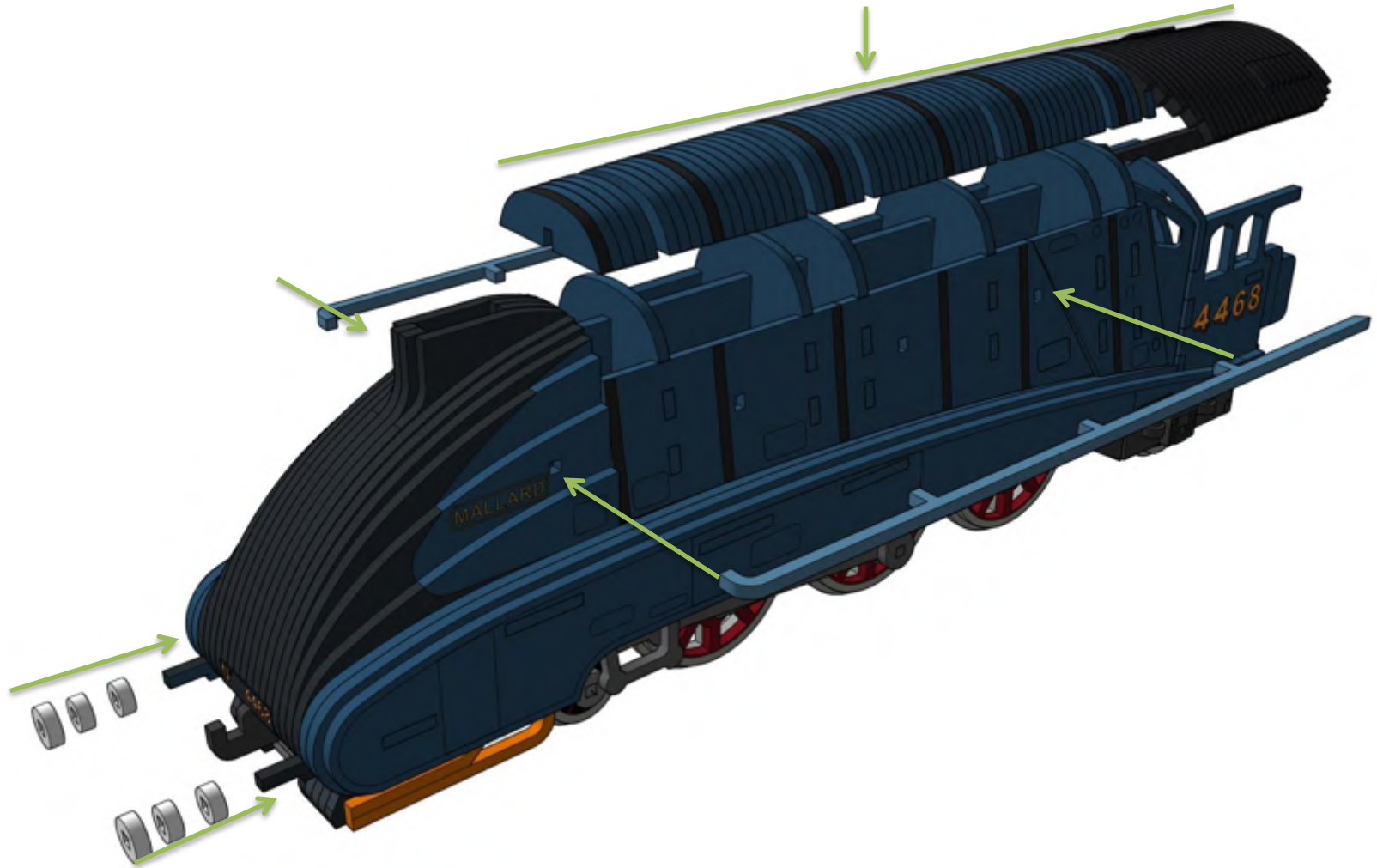


# ASSEMBLY STEPS

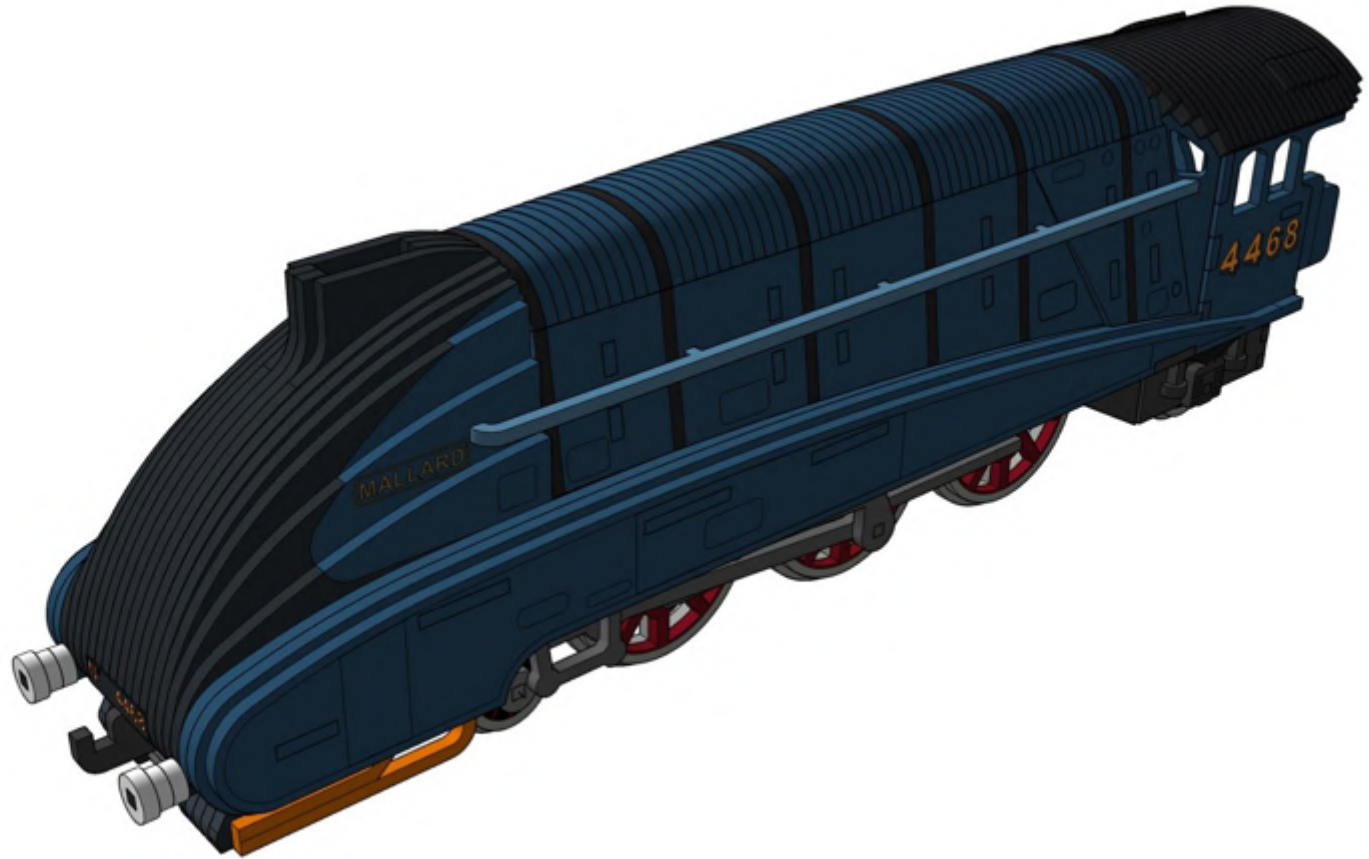




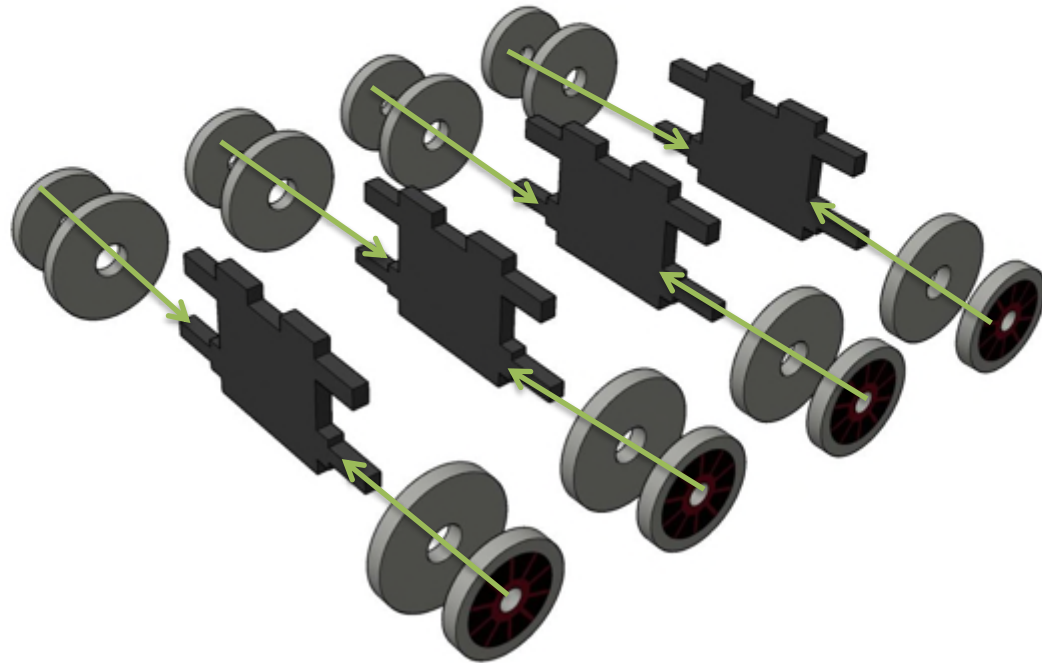
# ASSEMBLY STEPS



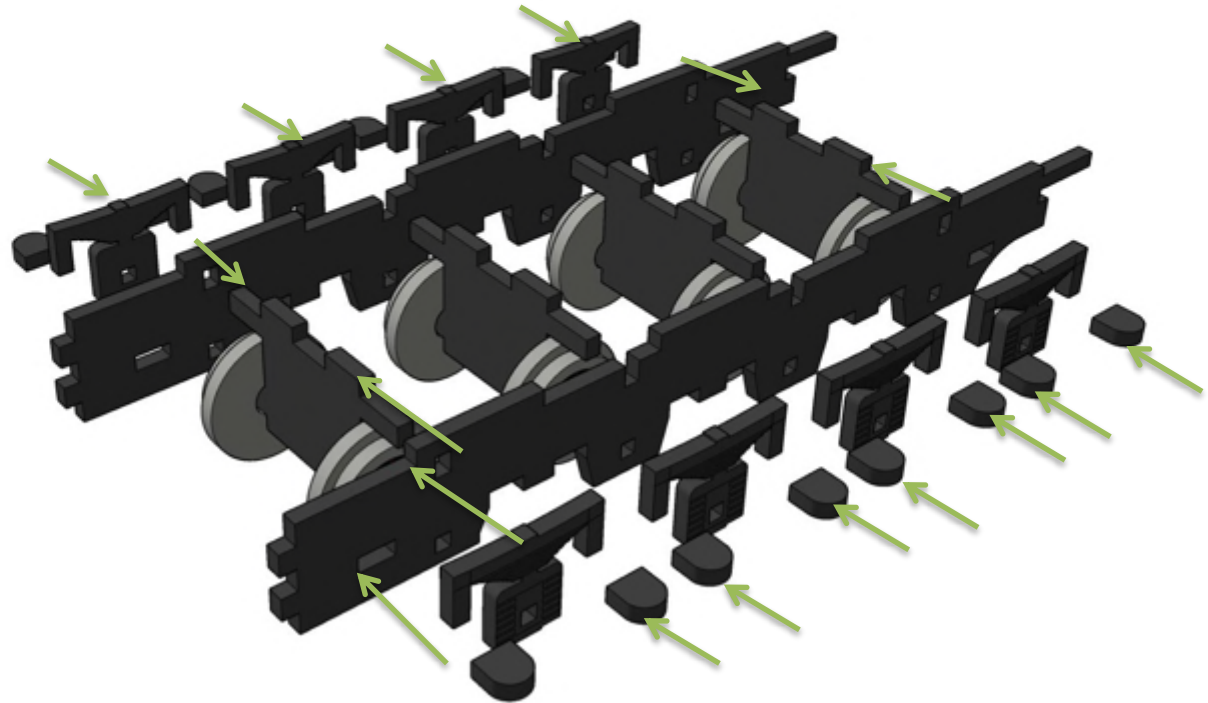
# ASSEMBLY STEPS



# ASSEMBLY STEPS

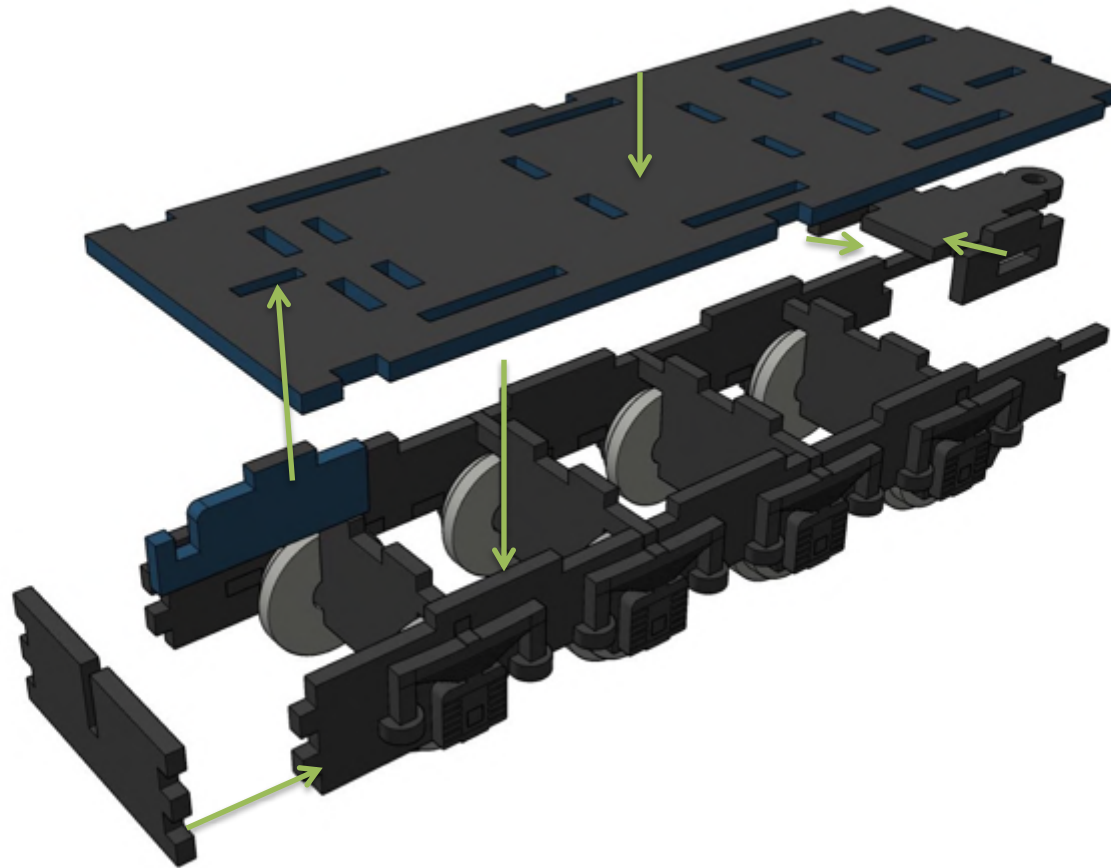


# ASSEMBLY STEPS

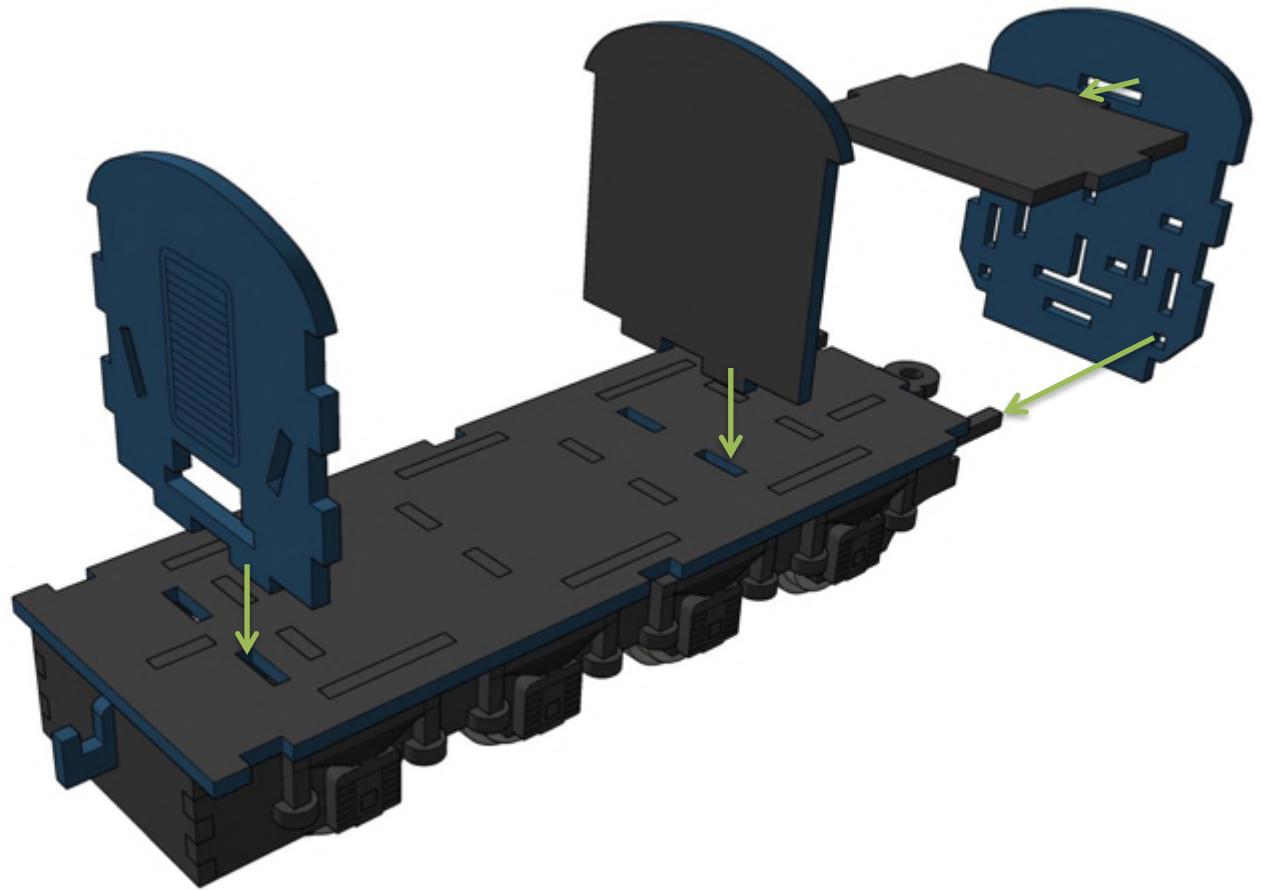




# ASSEMBLY STEPS

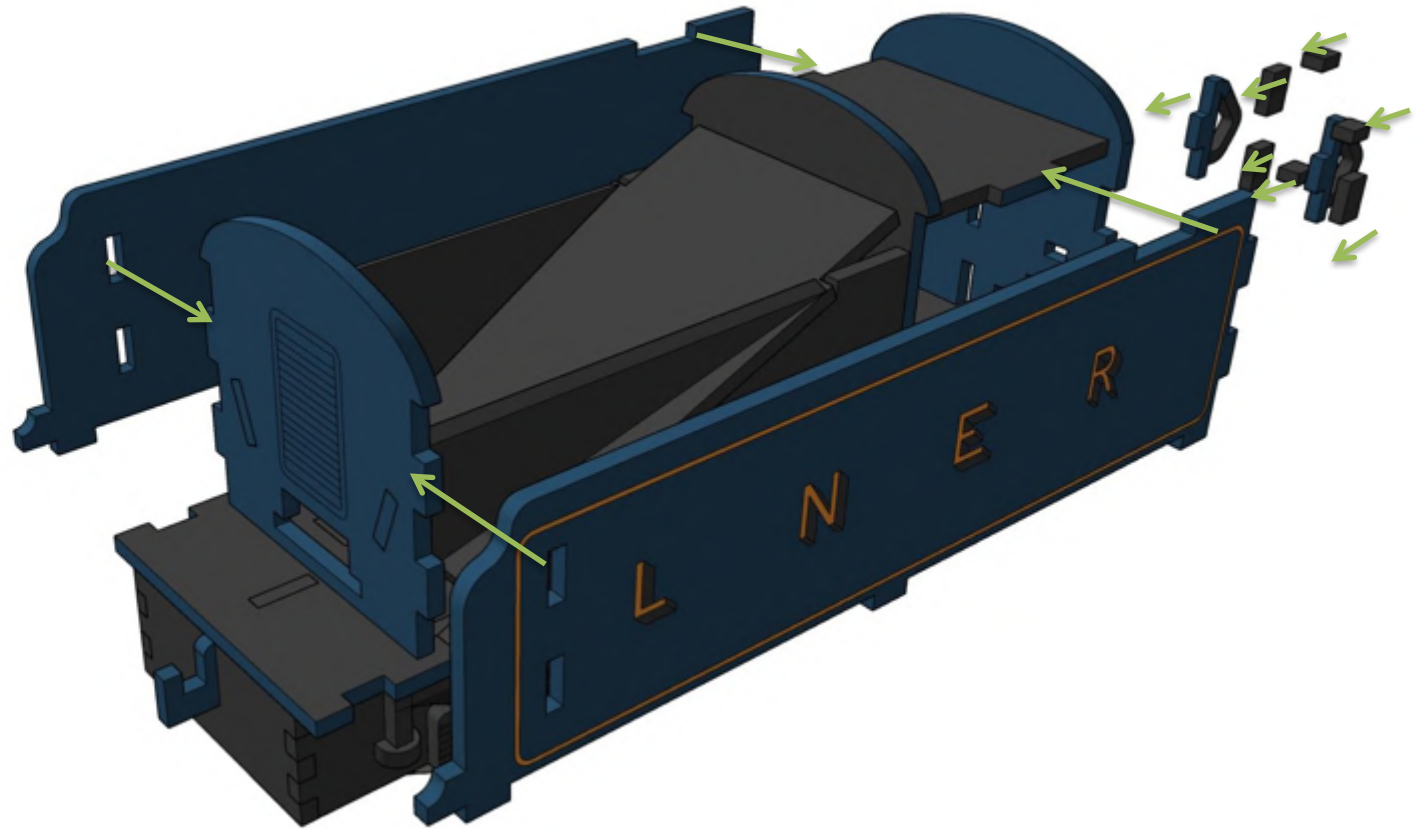


# ASSEMBLY STEPS



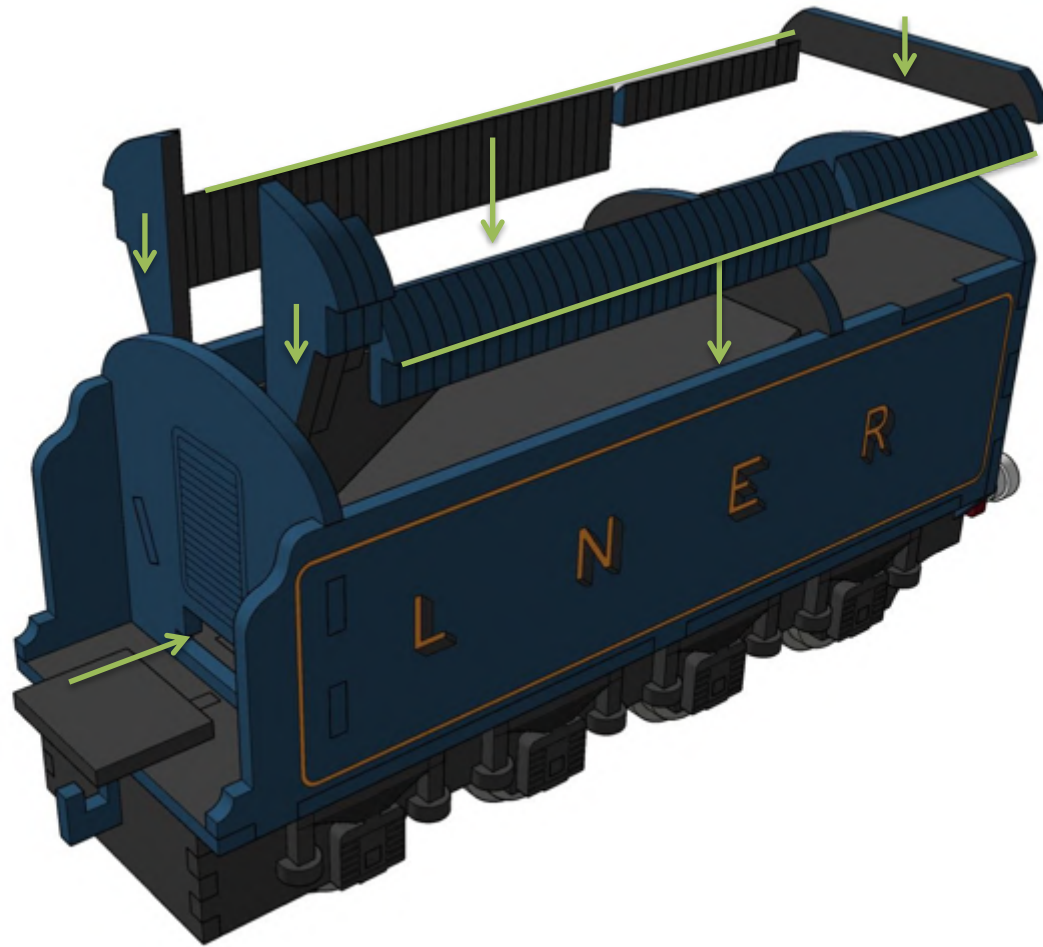


# ASSEMBLY STEPS

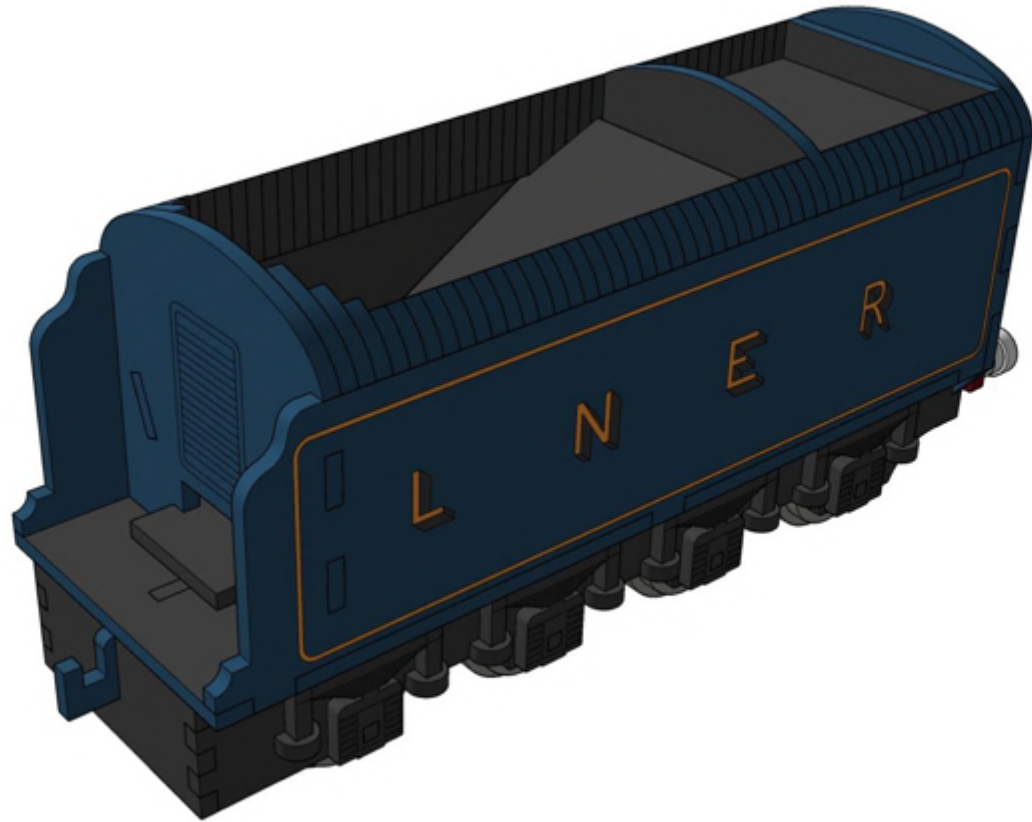




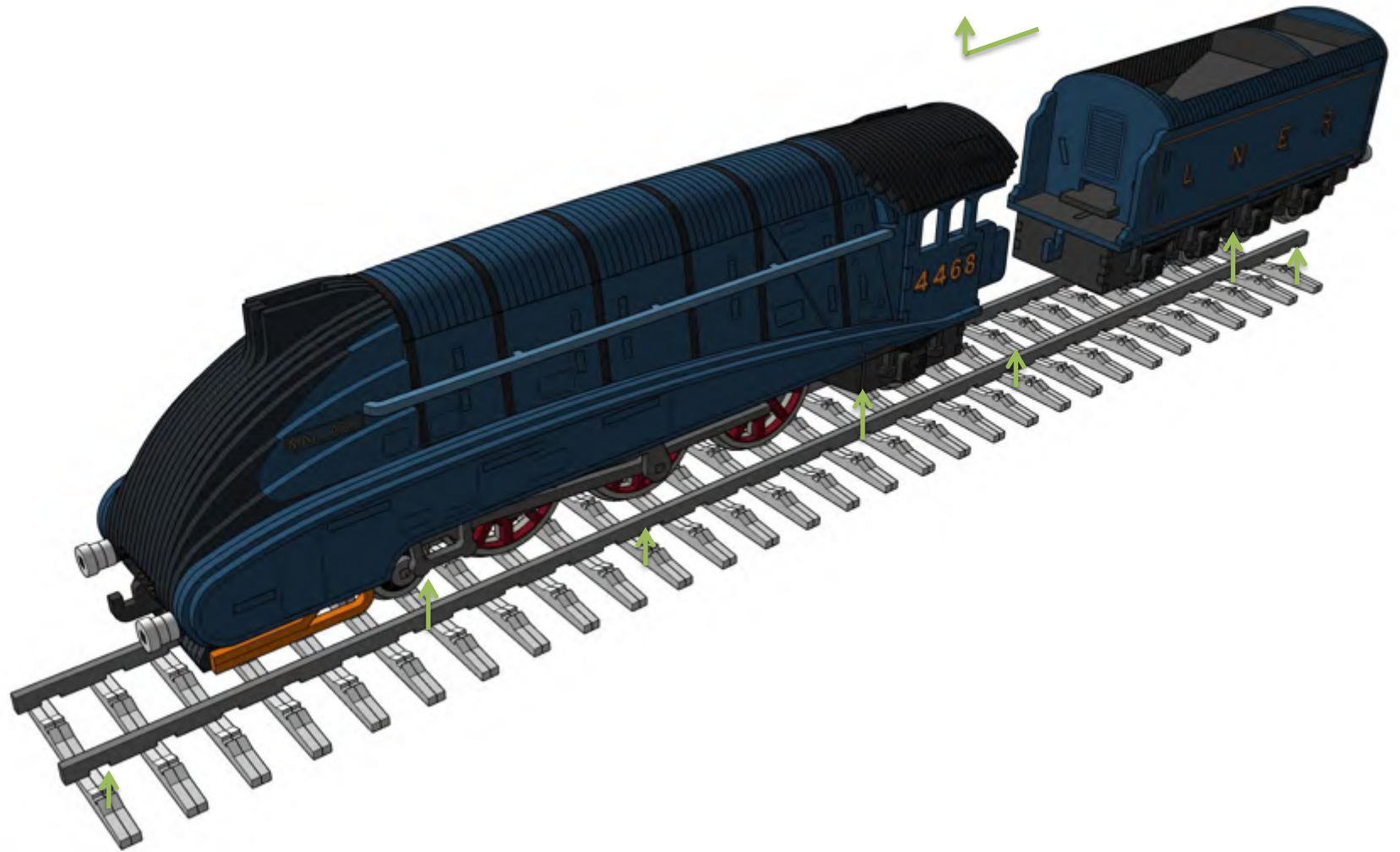
# ASSEMBLY STEPS



# ASSEMBLY STEPS



# ASSEMBLY STEPS



FINAL





FINAL

