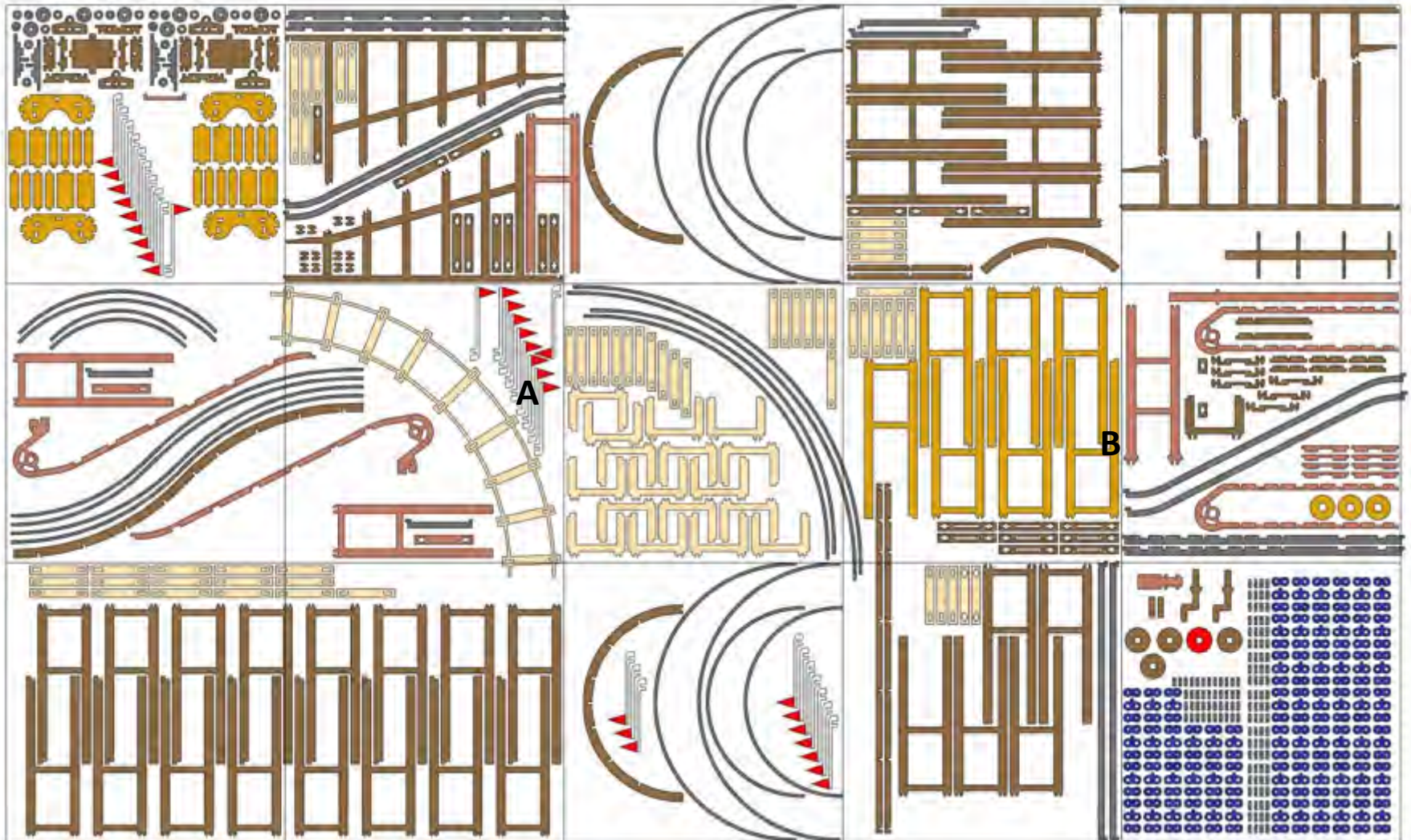


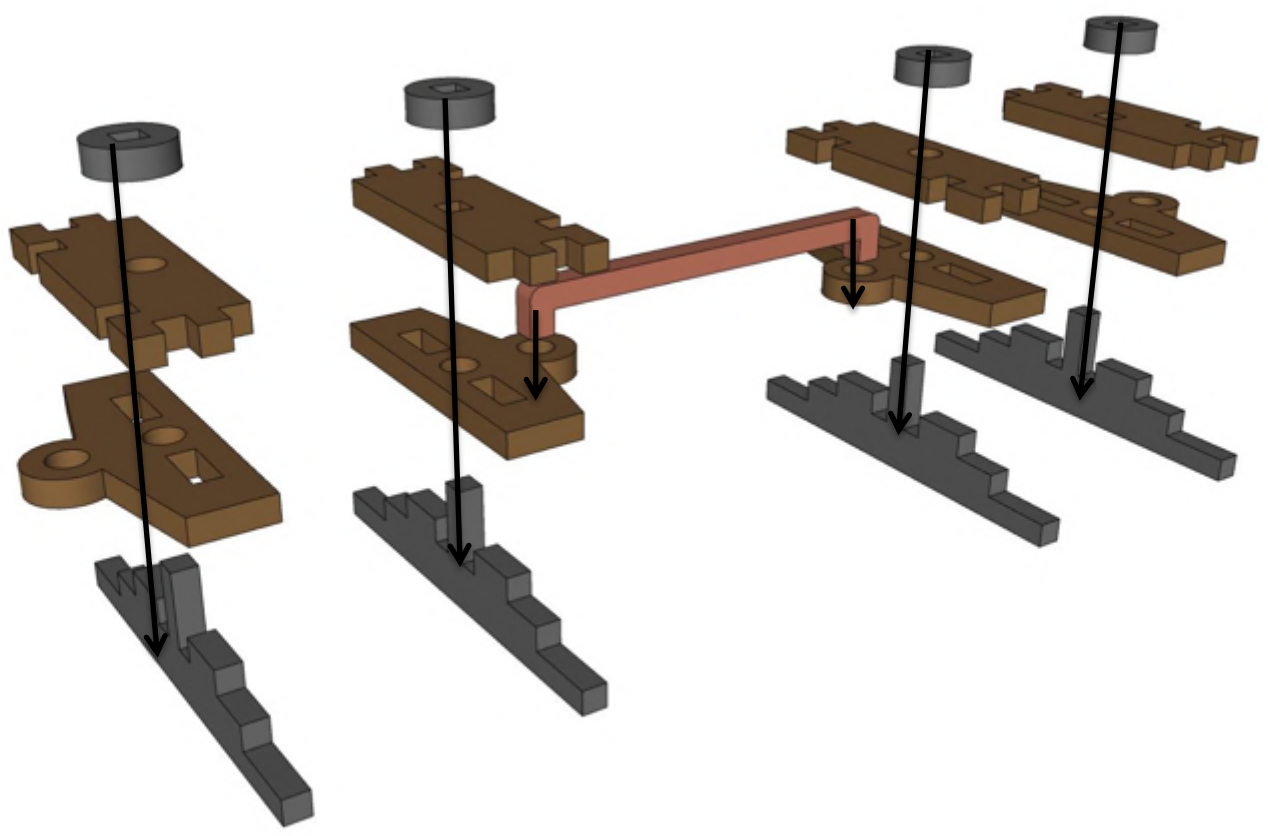
SIX FLAGS ROLLER COASTER



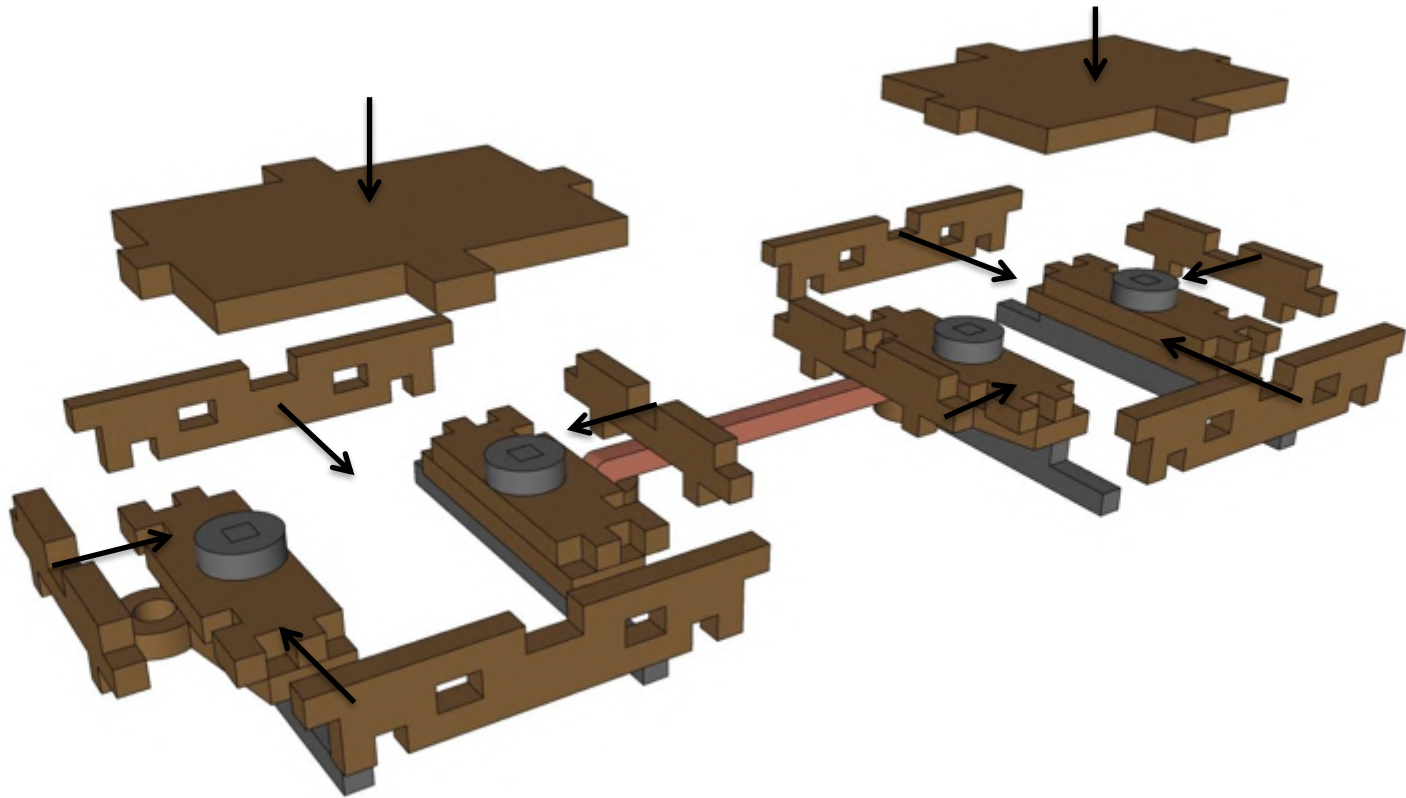
PARTS LIST



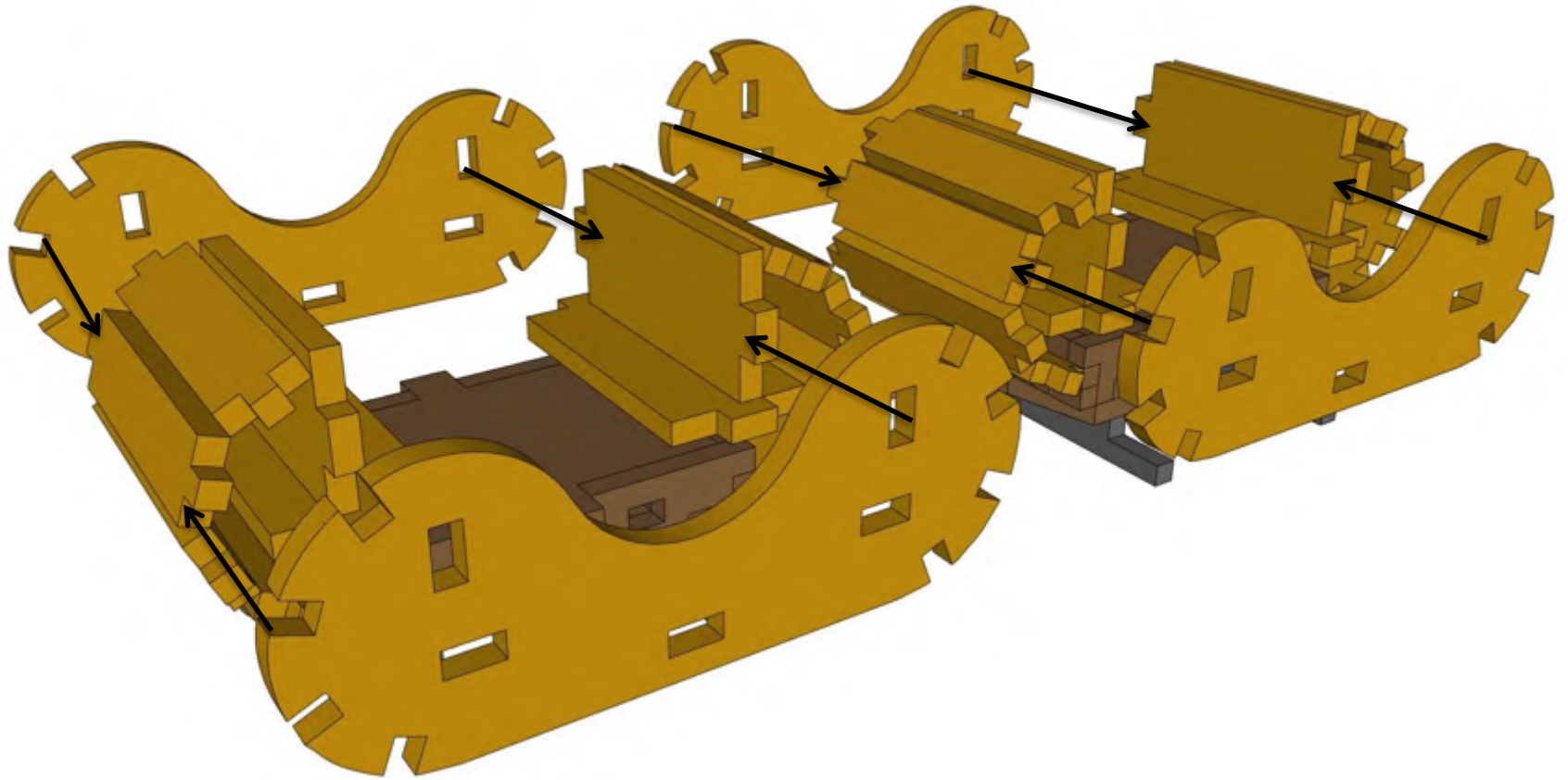
IT IS RECOMMENDED TO GO THROUGH ALL THE PAGES
AND SEE EACH STEP BEFORE STARTING THE ASSEMBLY



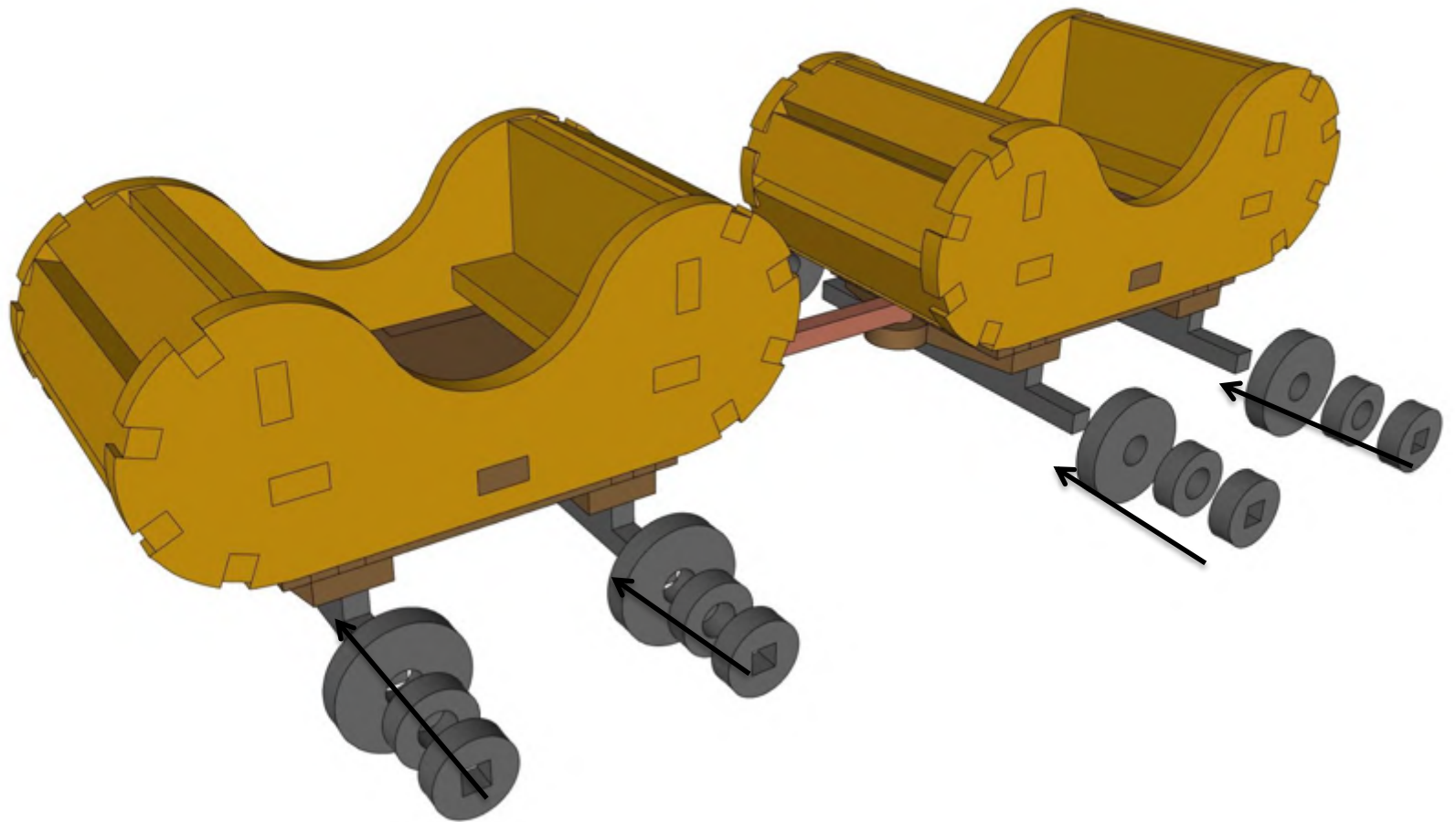
ASSEMBLY STEPS



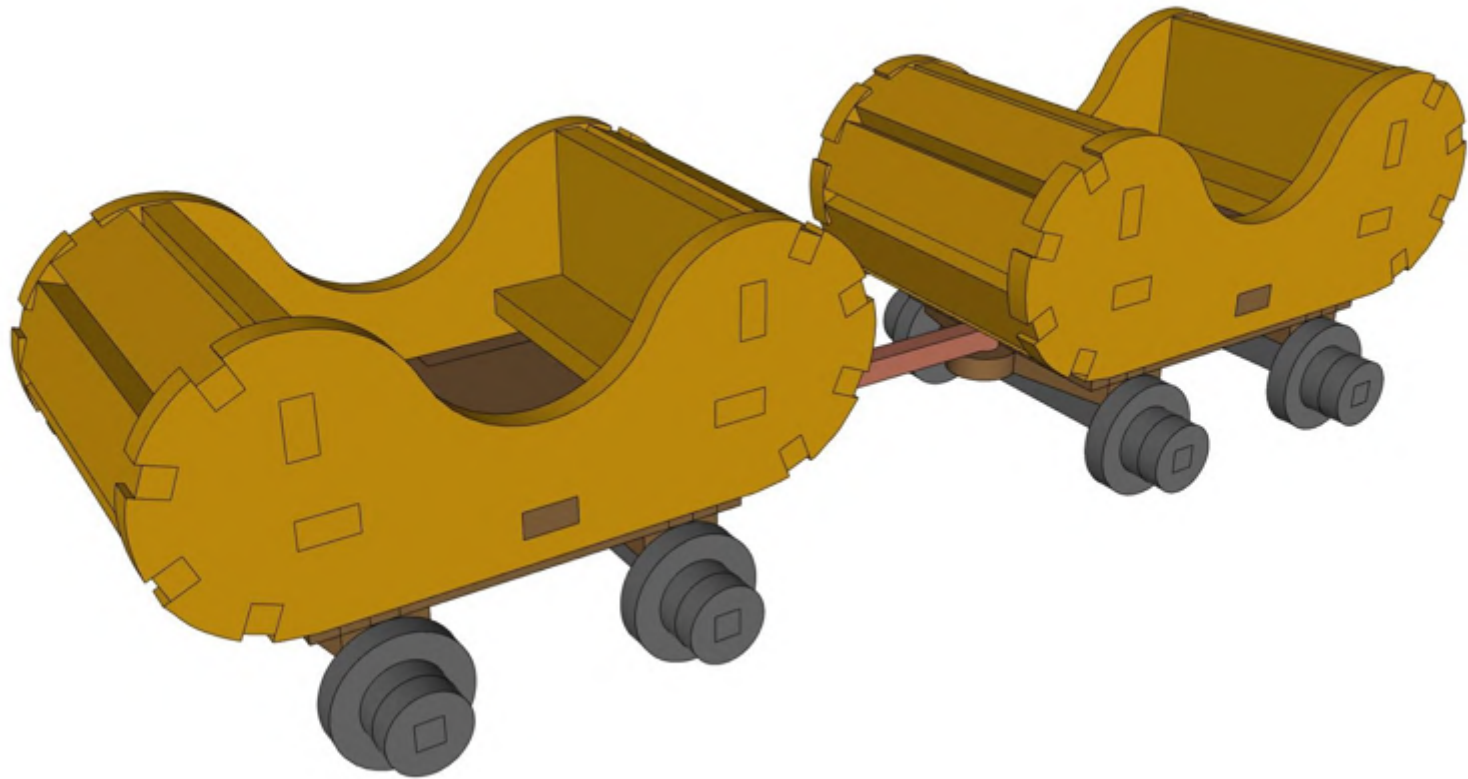
ASSEMBLY STEPS



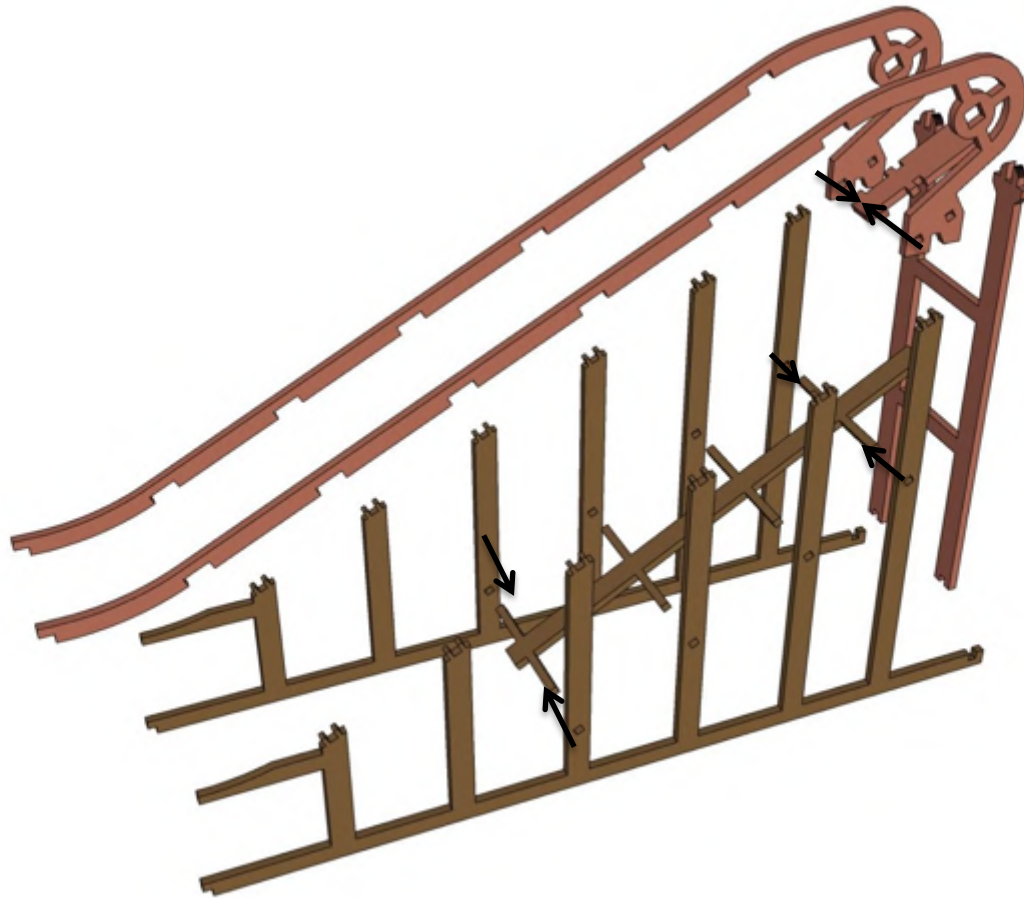
ASSEMBLY STEPS



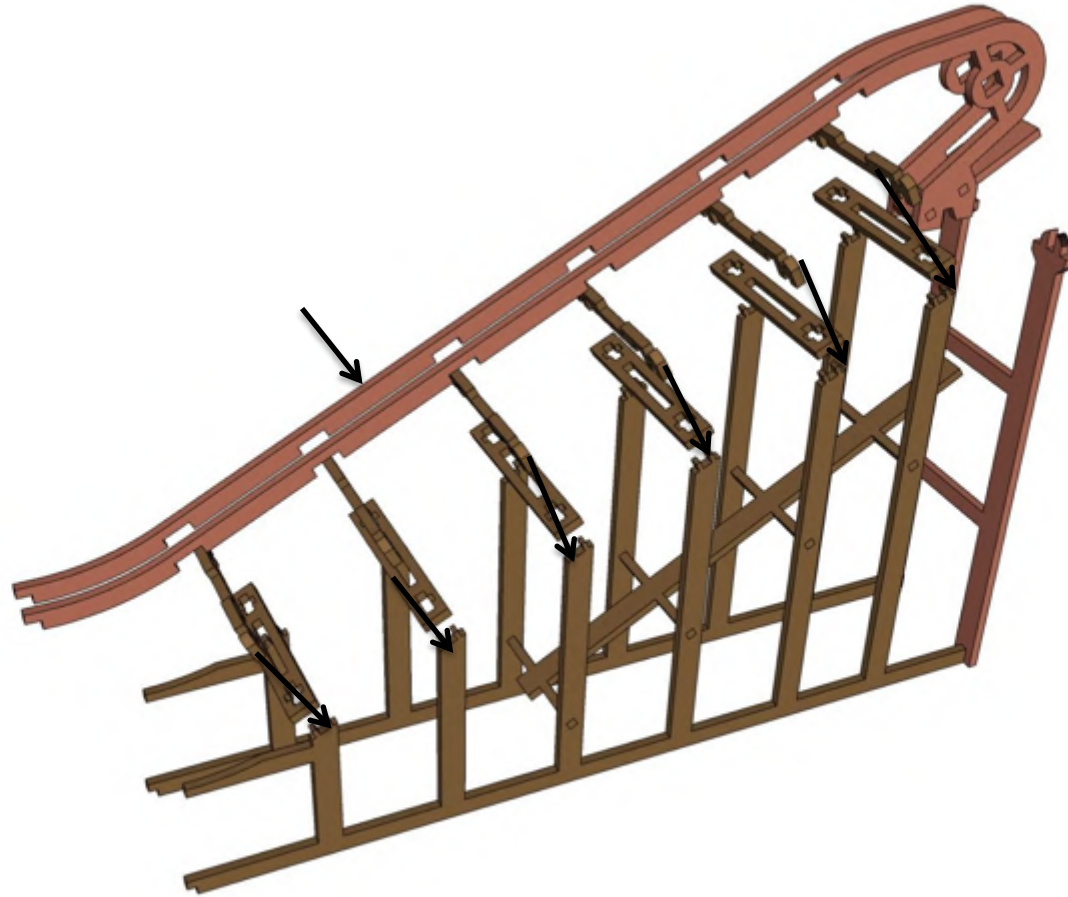
ASSEMBLY STEPS



ASSEMBLY STEPS



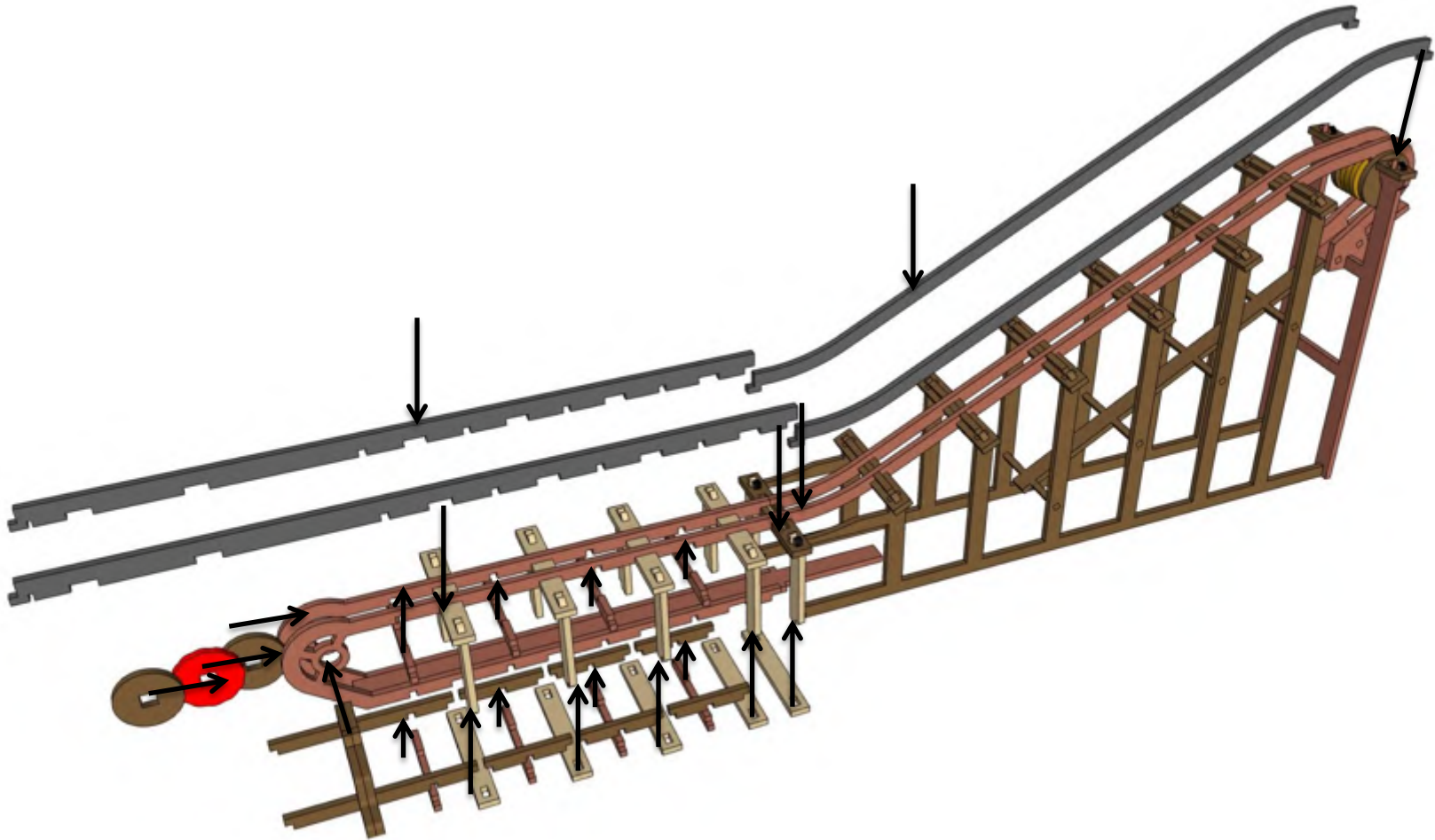
ASSEMBLY STEPS



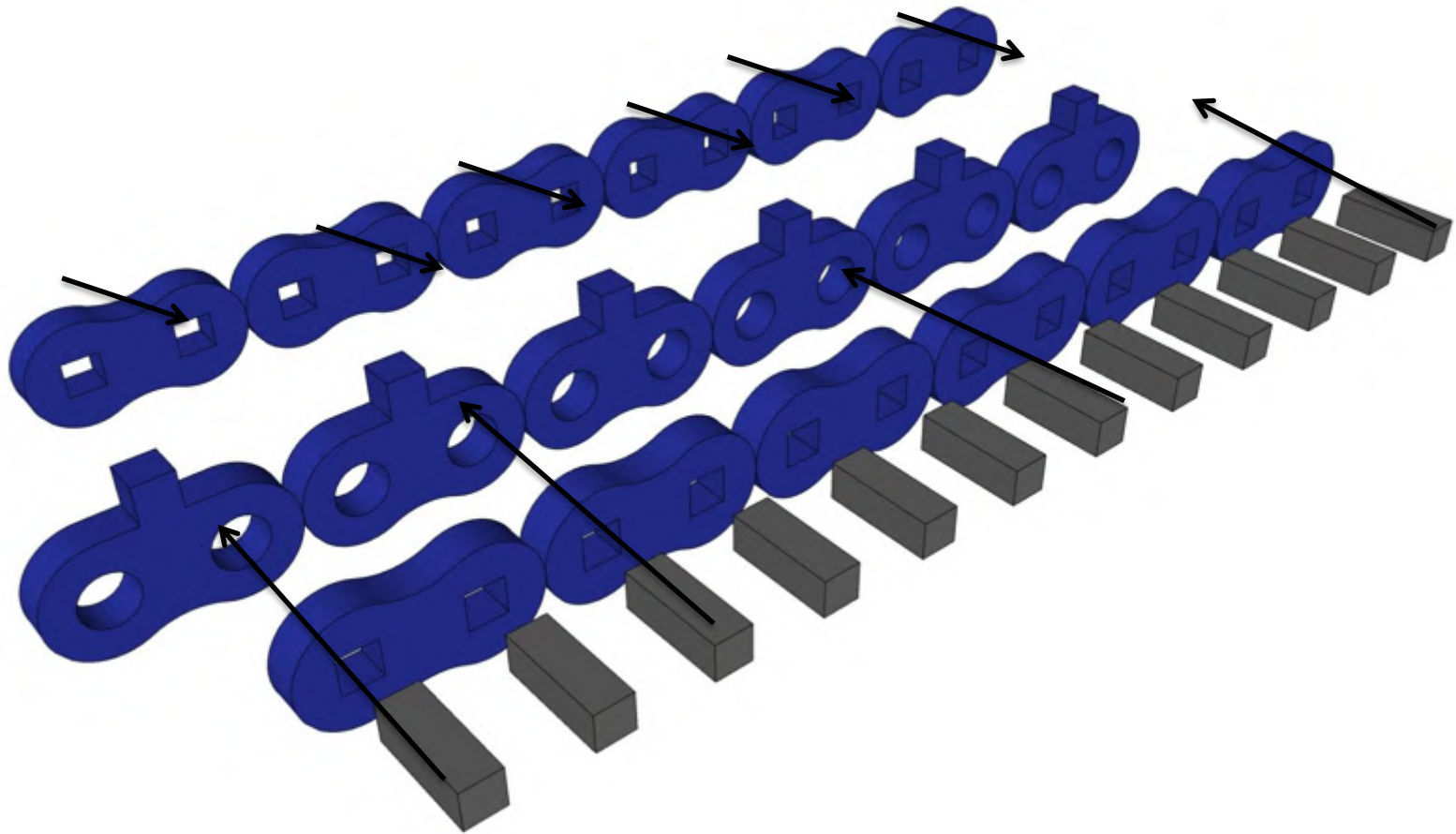
ASSEMBLY STEPS



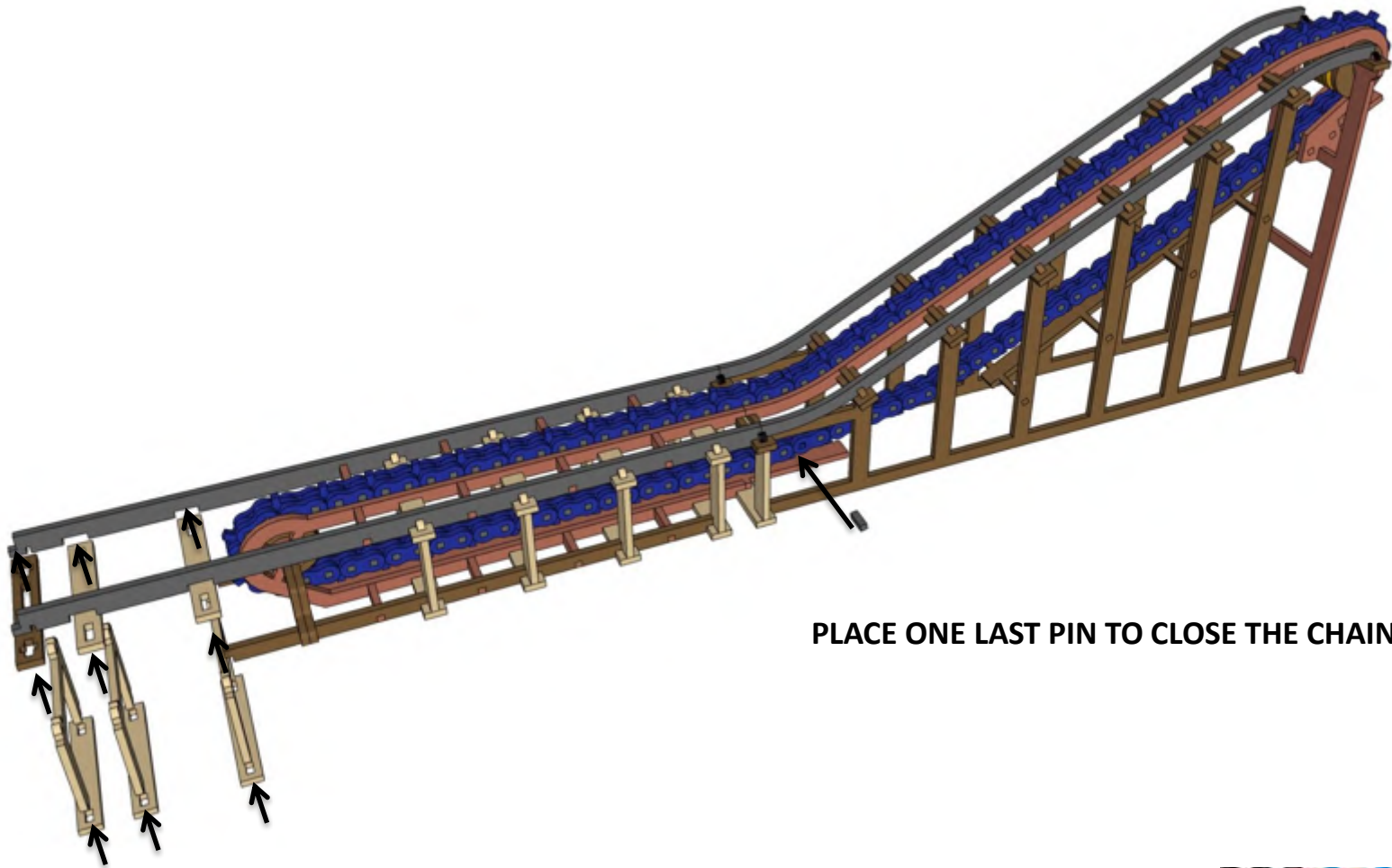
ASSEMBLY STEPS



ASSEMBLY STEPS



ASSEMBLY STEPS

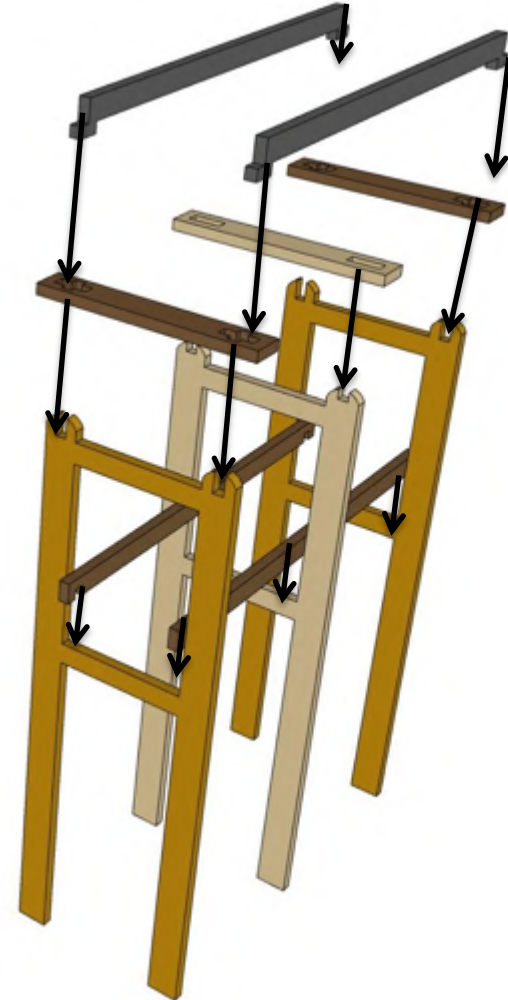


PLACE ONE LAST PIN TO CLOSE THE CHAIN

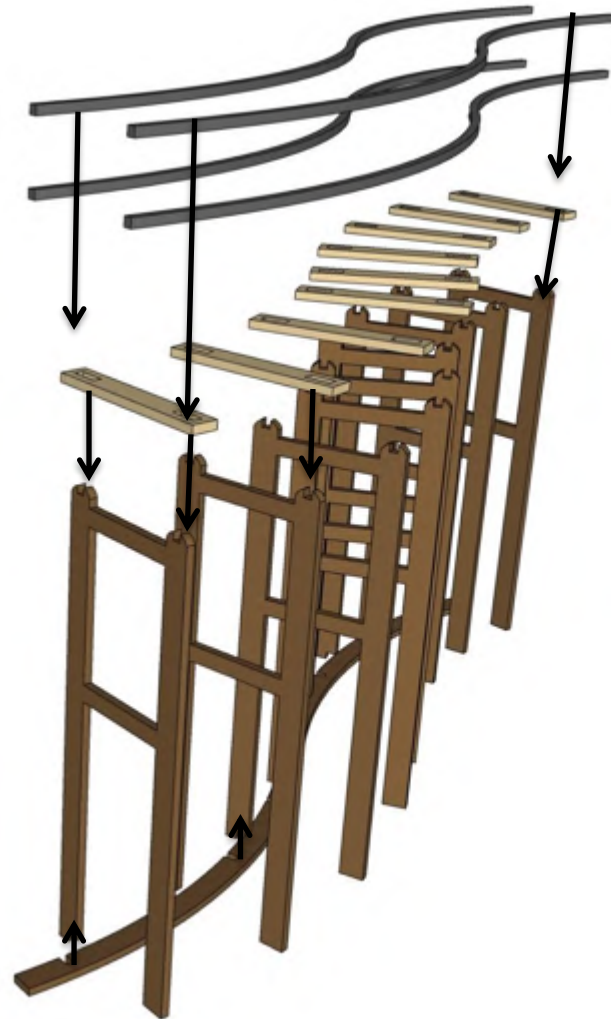
ASSEMBLY STEPS



ASSEMBLY STEPS



ASSEMBLY STEPS



ASSEMBLY STEPS



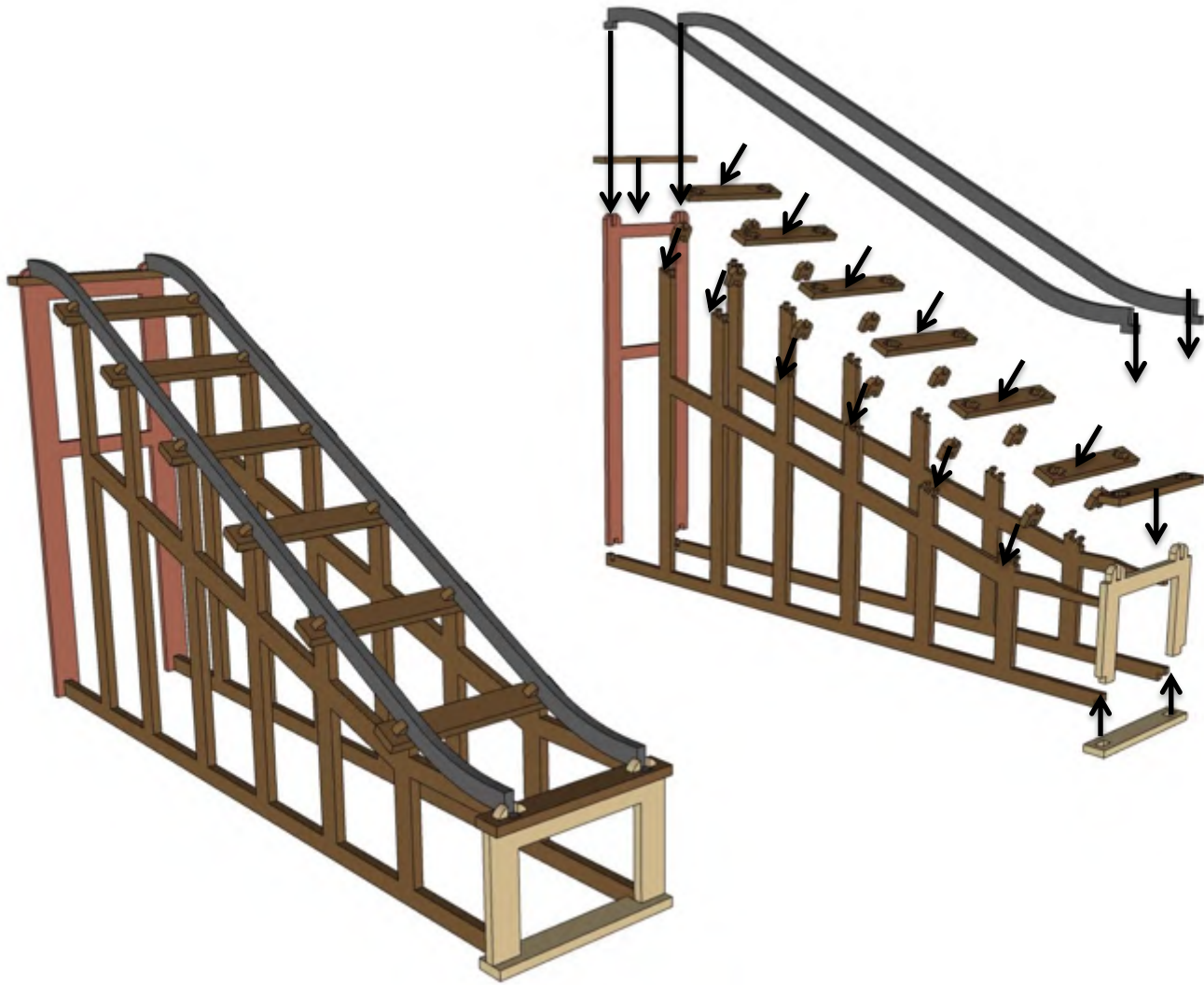
ASSEMBLY STEPS



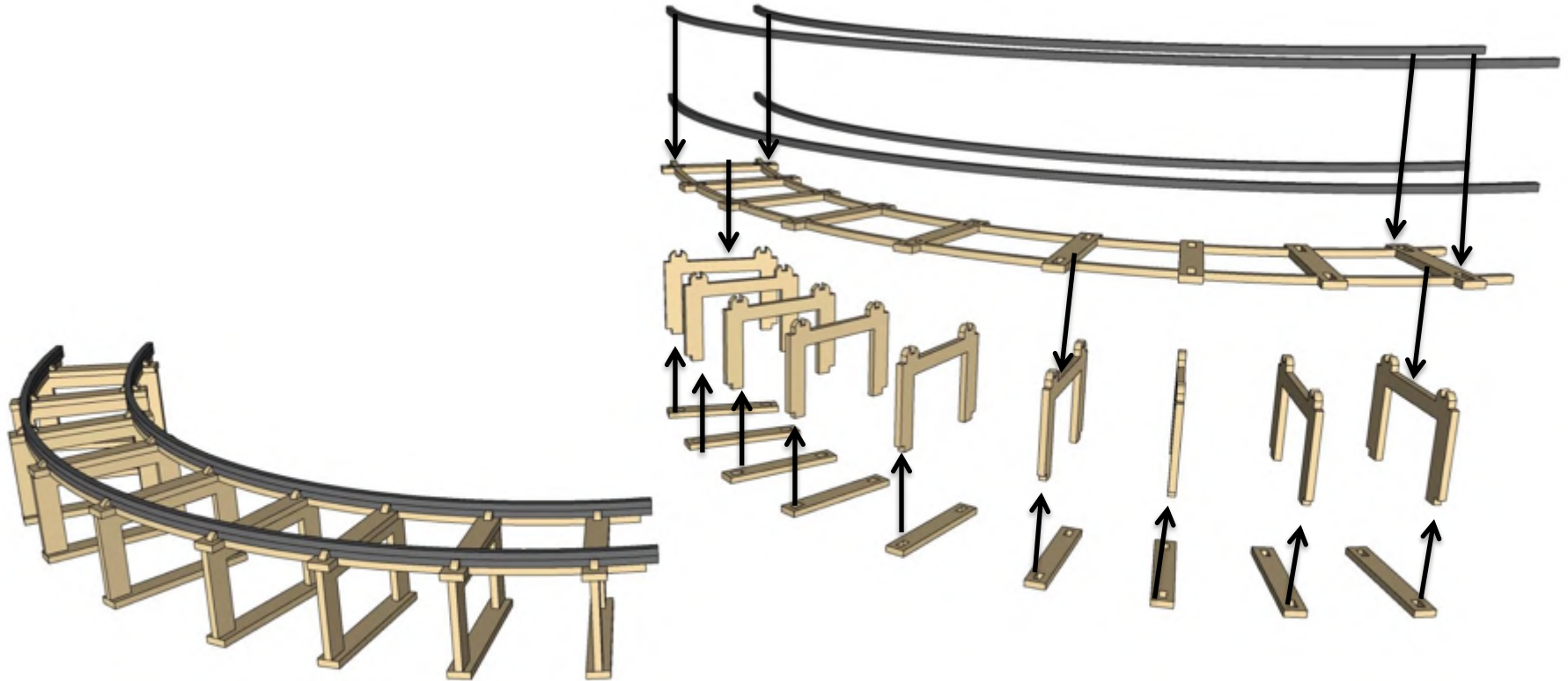
ASSEMBLY STEPS



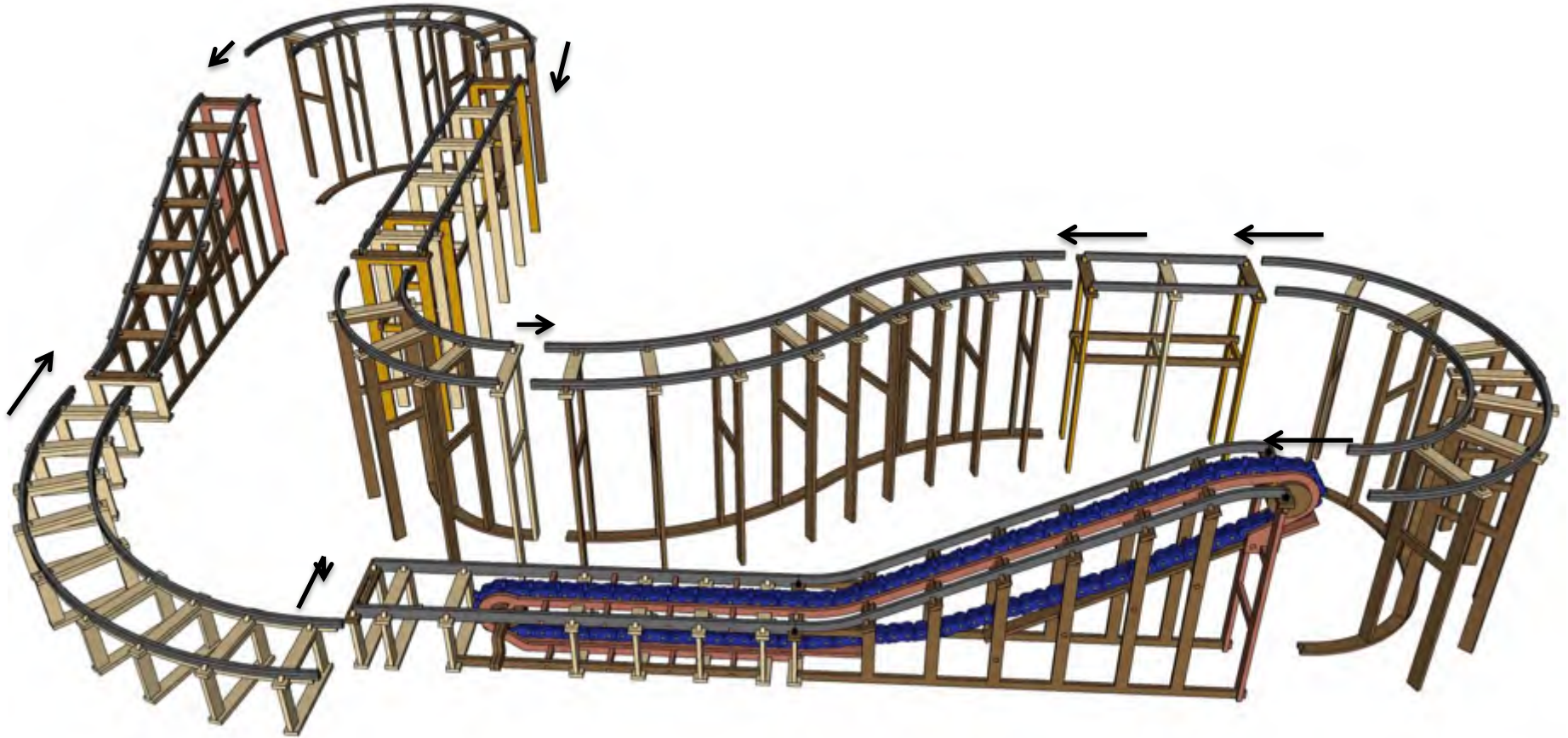
ASSEMBLY STEPS



ASSEMBLY STEPS



ASSEMBLY STEPS



ASSEMBLY STEPS



FINAL



FINAL

