

WARSHIP

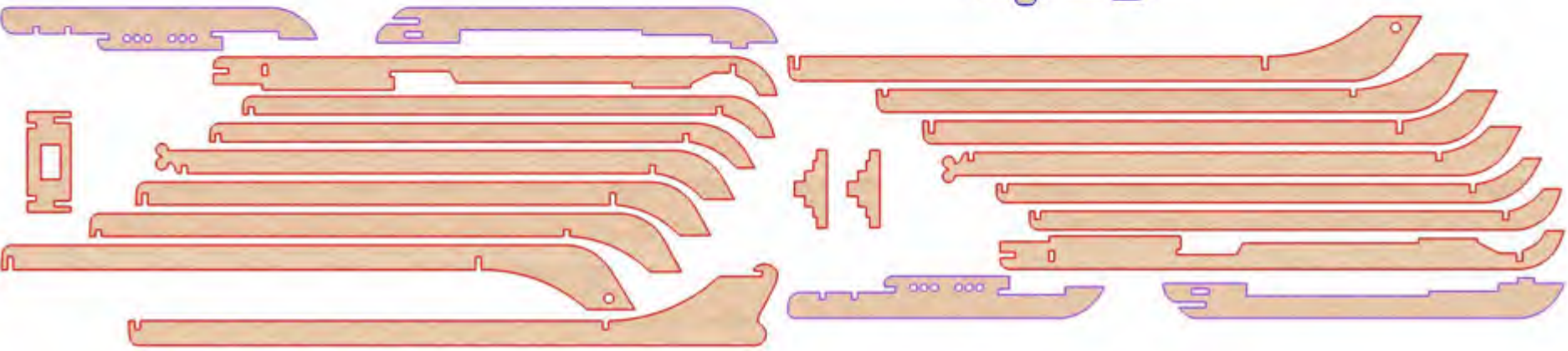
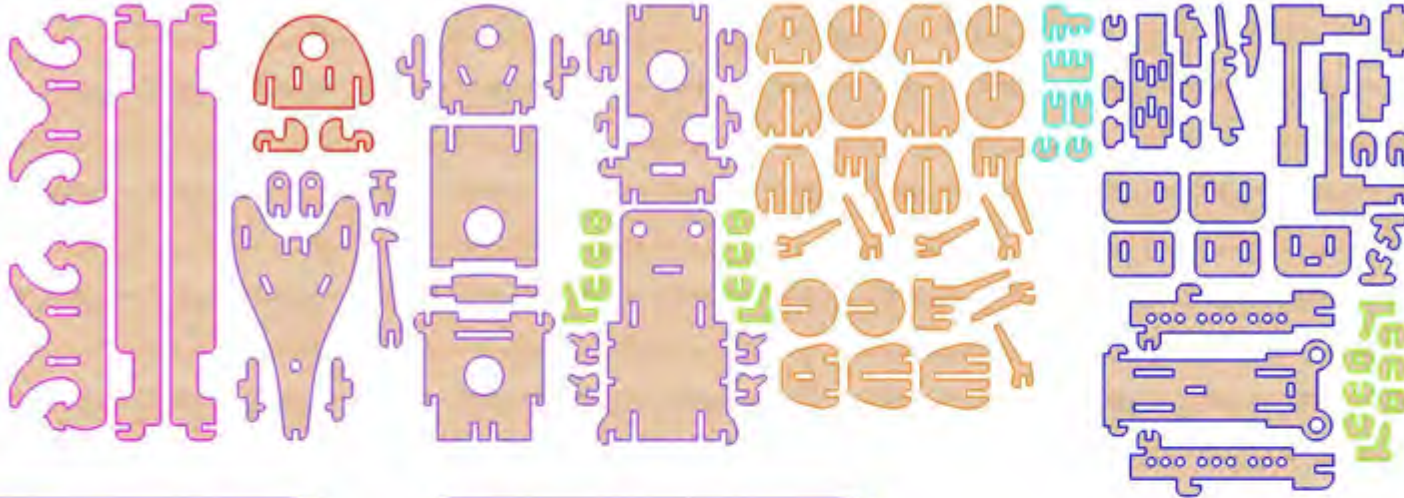









makeCNC

Robotic Tools & other Machines

WWW.MAKECNC.COM

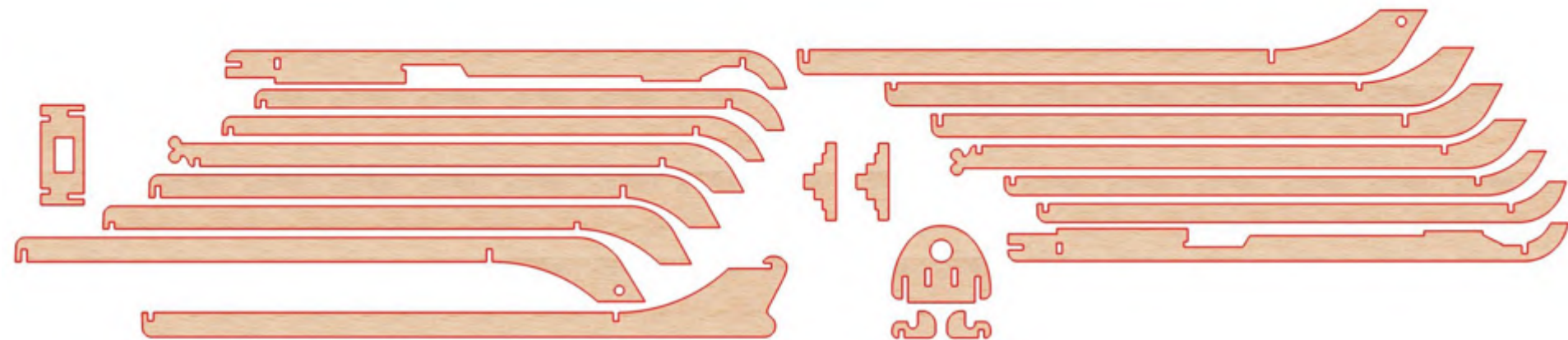
PARTS LIST



- DECK 
- BRIDGE 
- HULL 
- STAND 
- ROCKET LAUNCHER 
- TURRETS SMALL X4PC 
- TURRETS BIG X3PC 

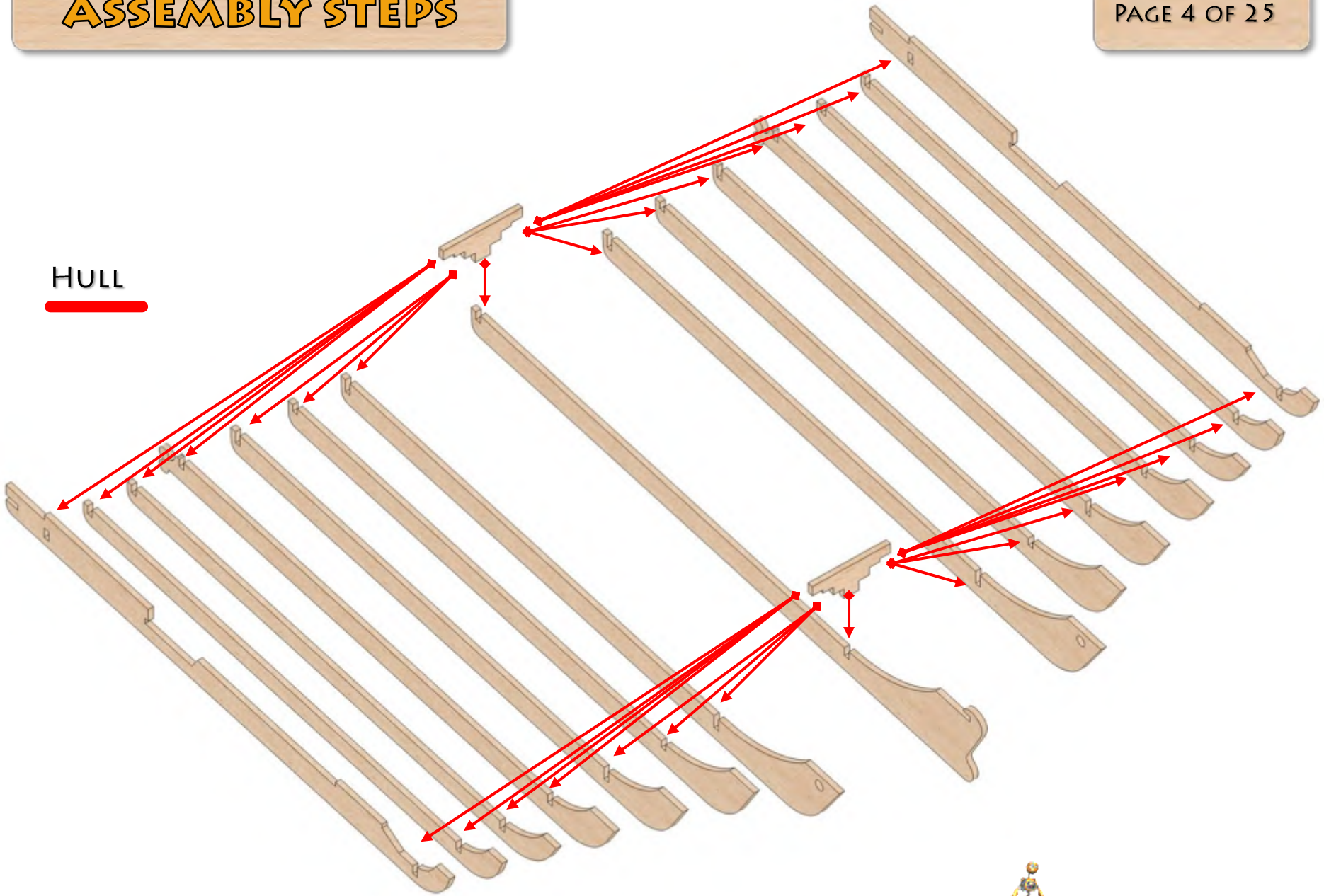


HULL

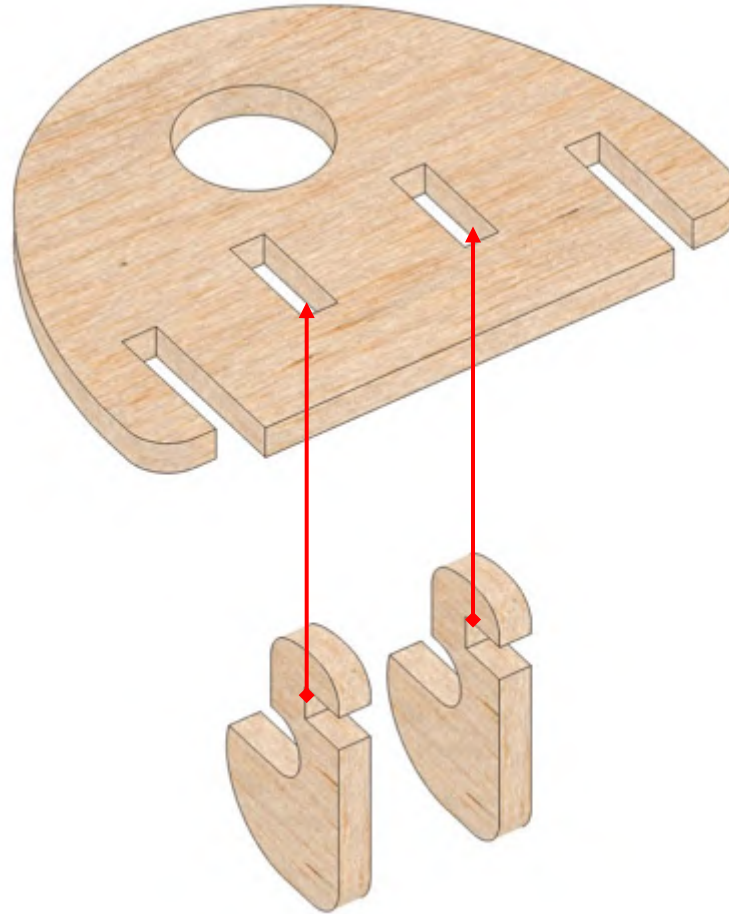


ASSEMBLY STEPS

HULL



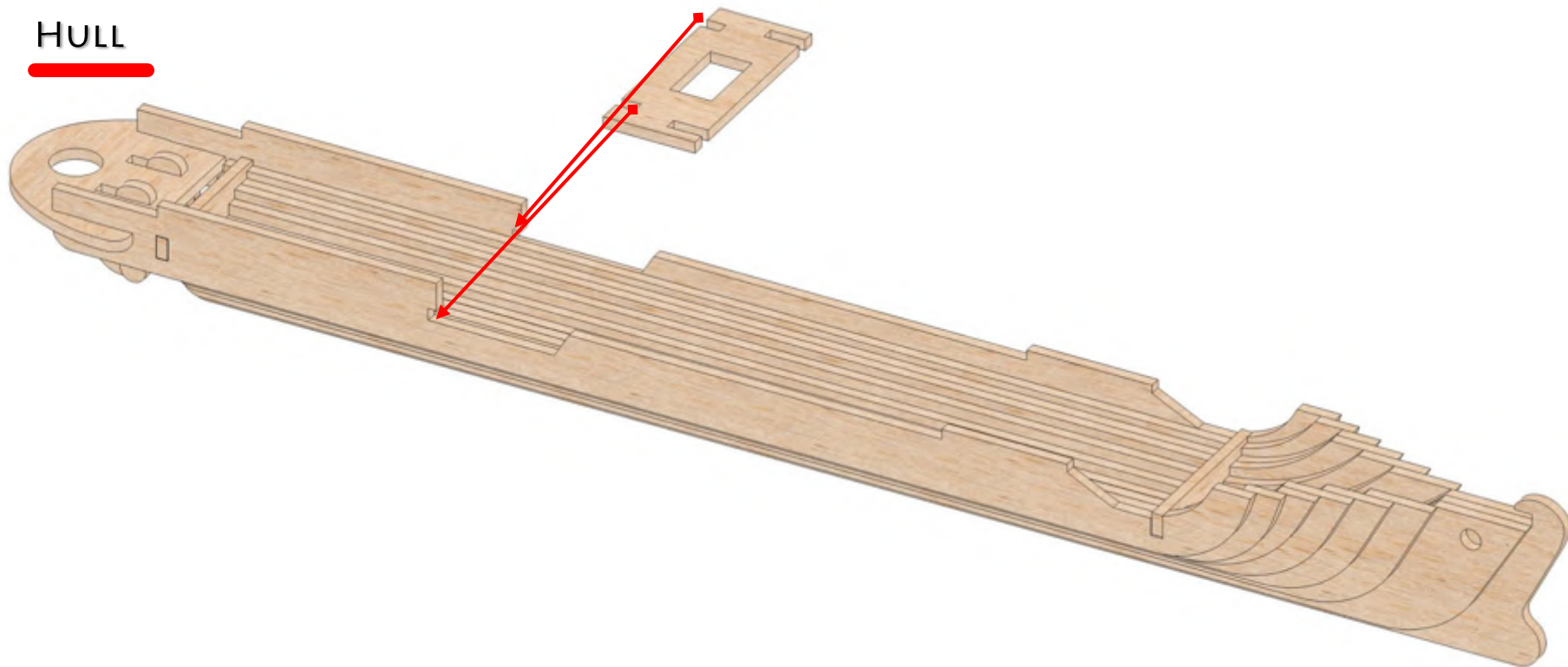
HULL



HULL



HULL

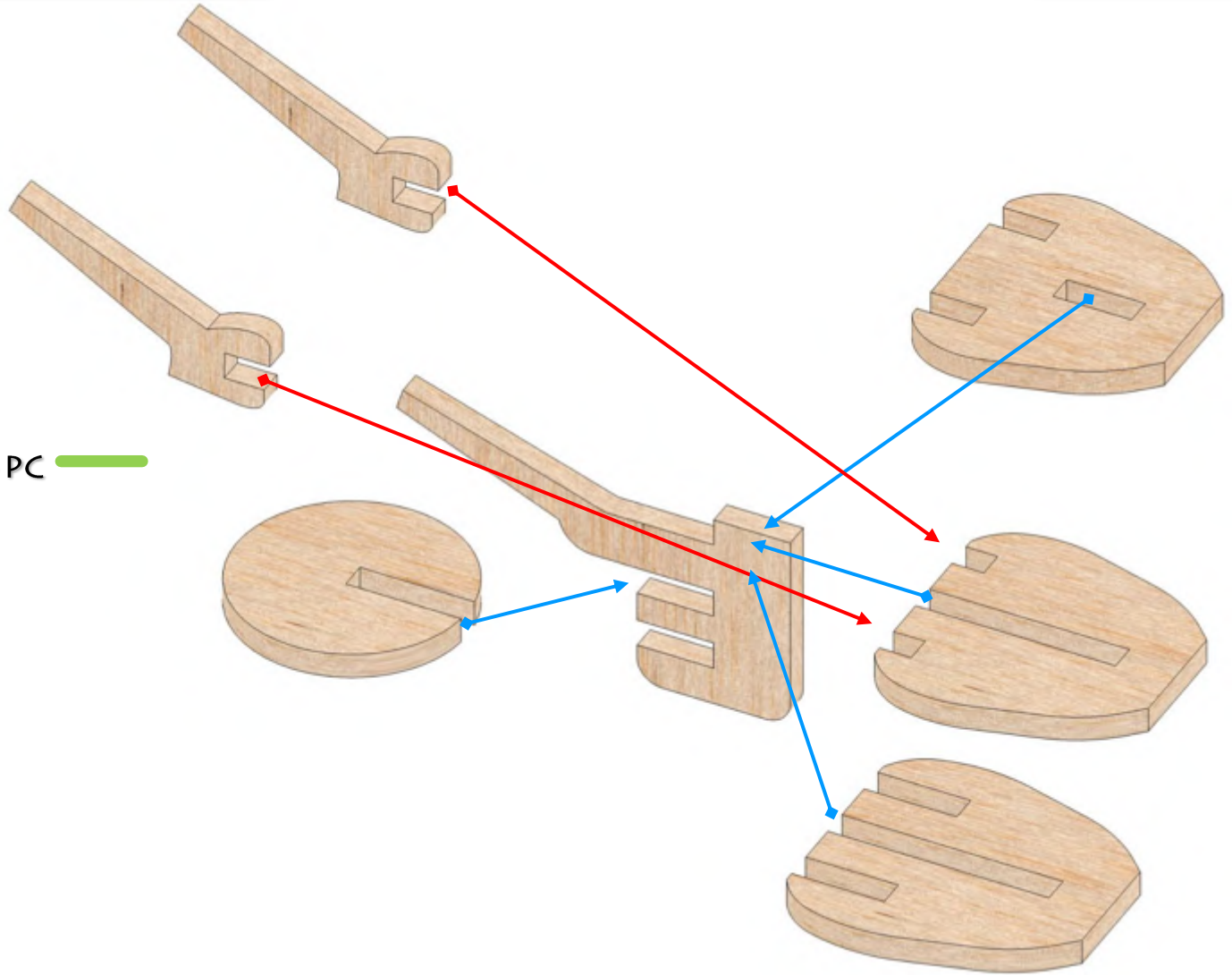


TURRETS BIG X3 PC 



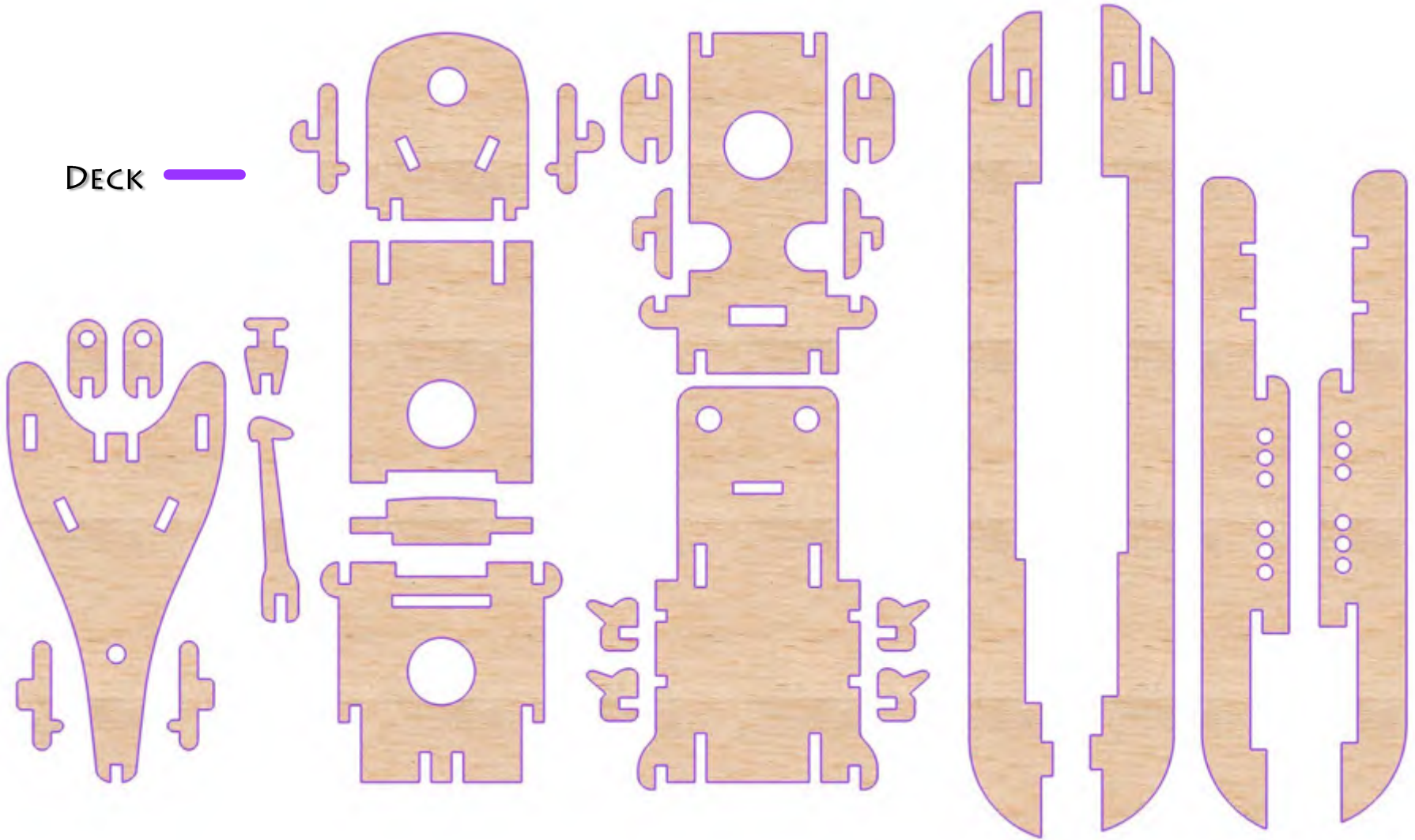
ASSEMBLY STEPS

TURRETS BIG X3 PC 

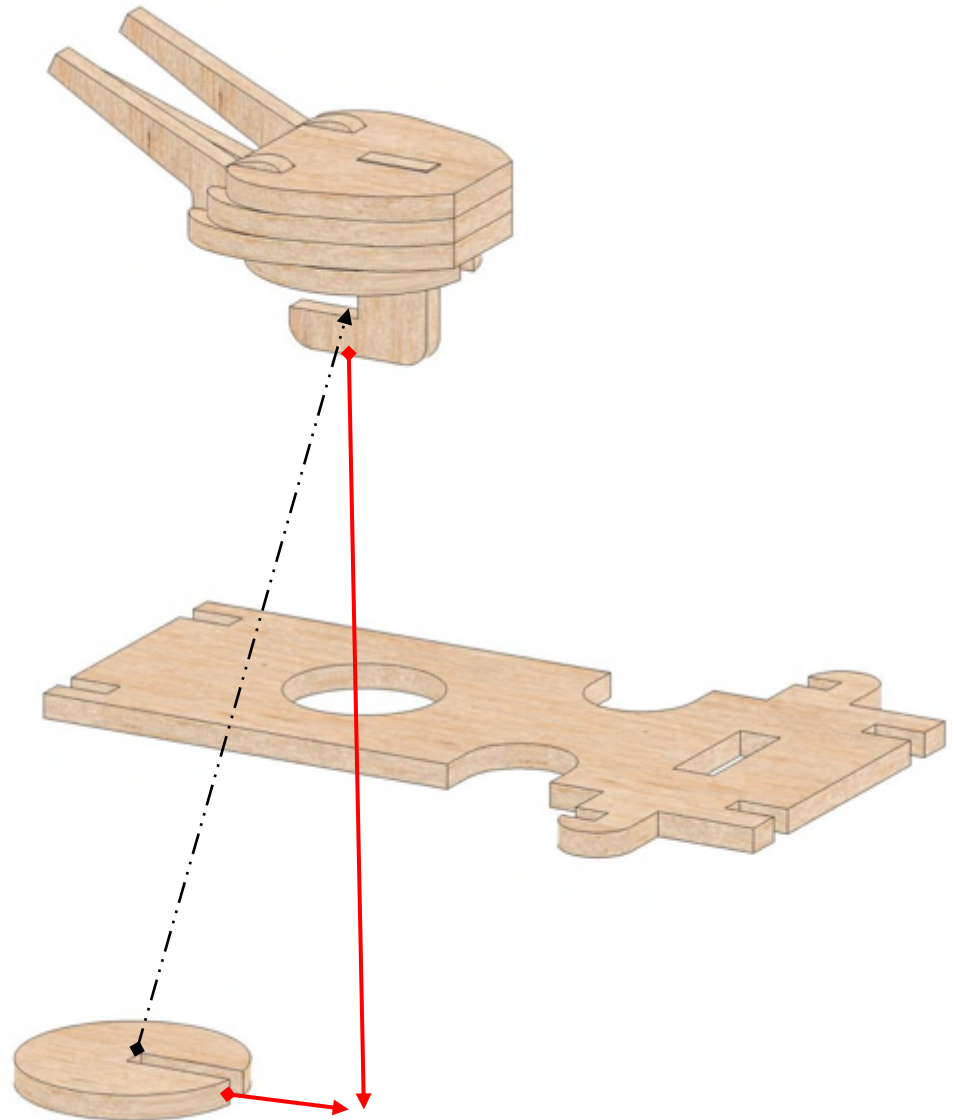


ASSEMBLY STEPS

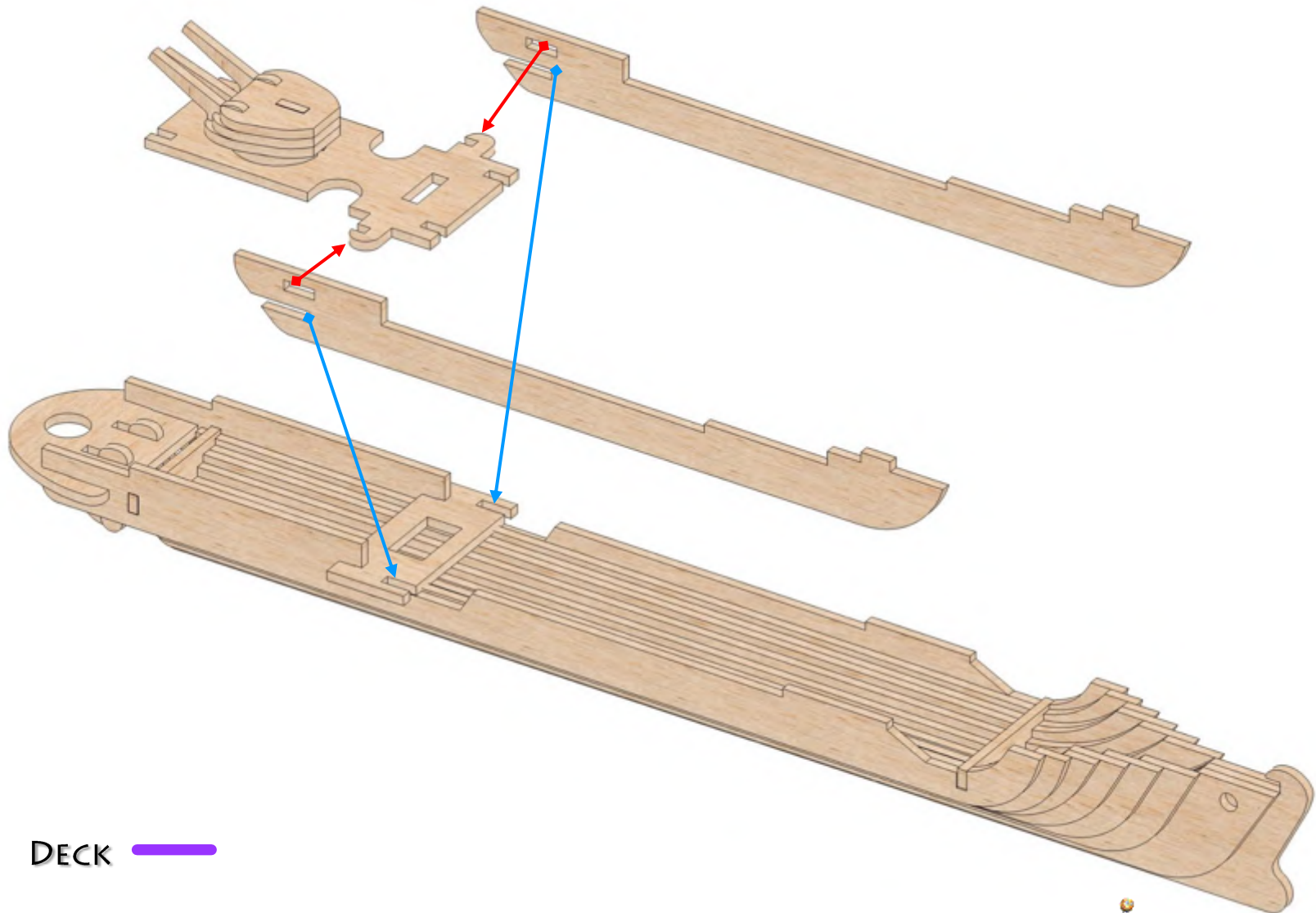
DECK



DECK 



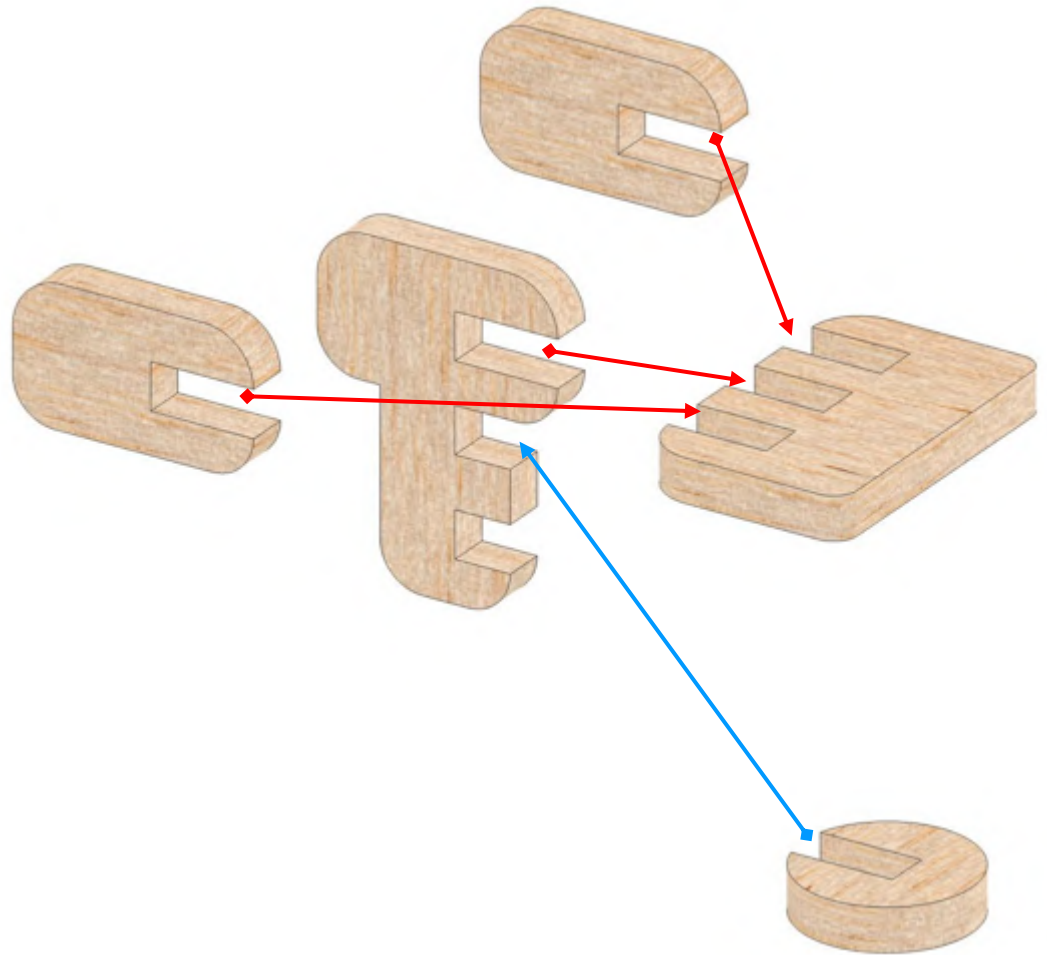
ASSEMBLY STEPS



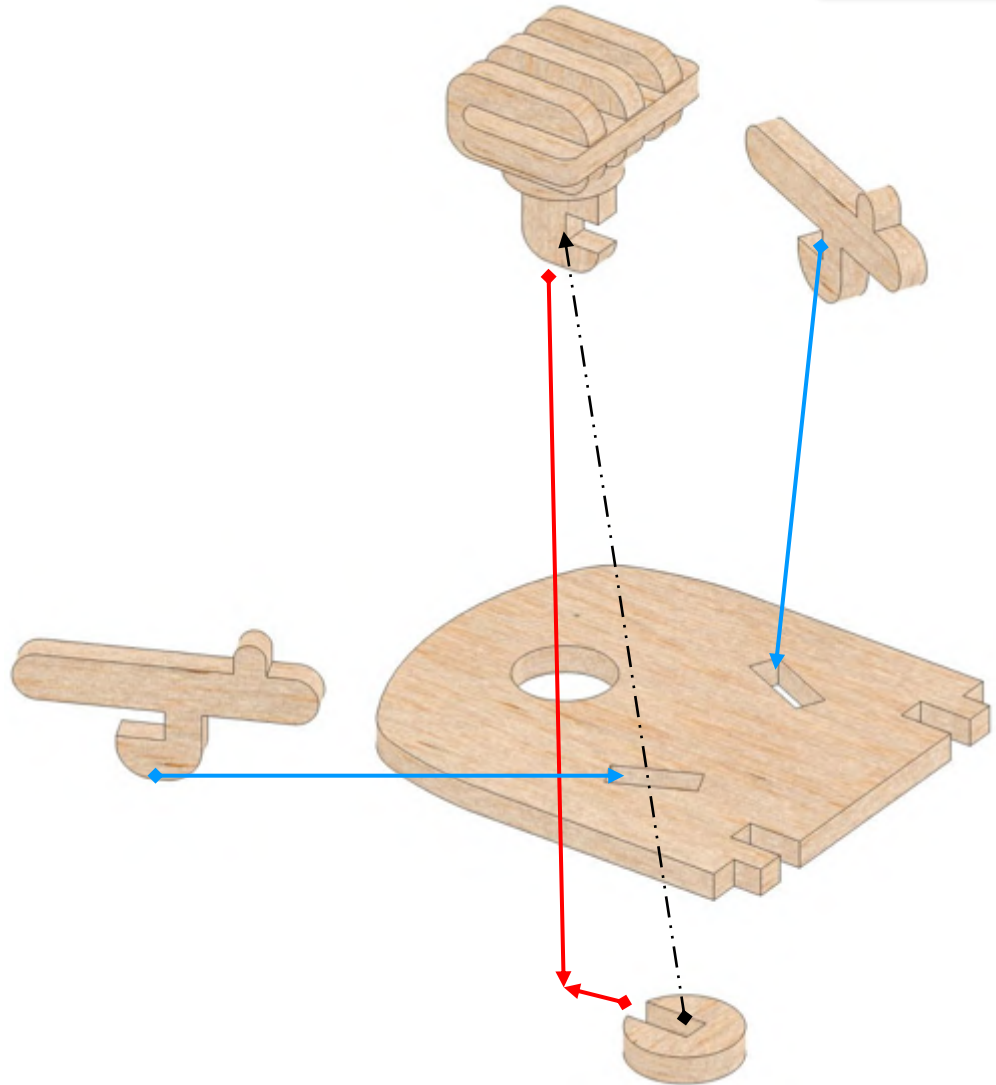
DECK 



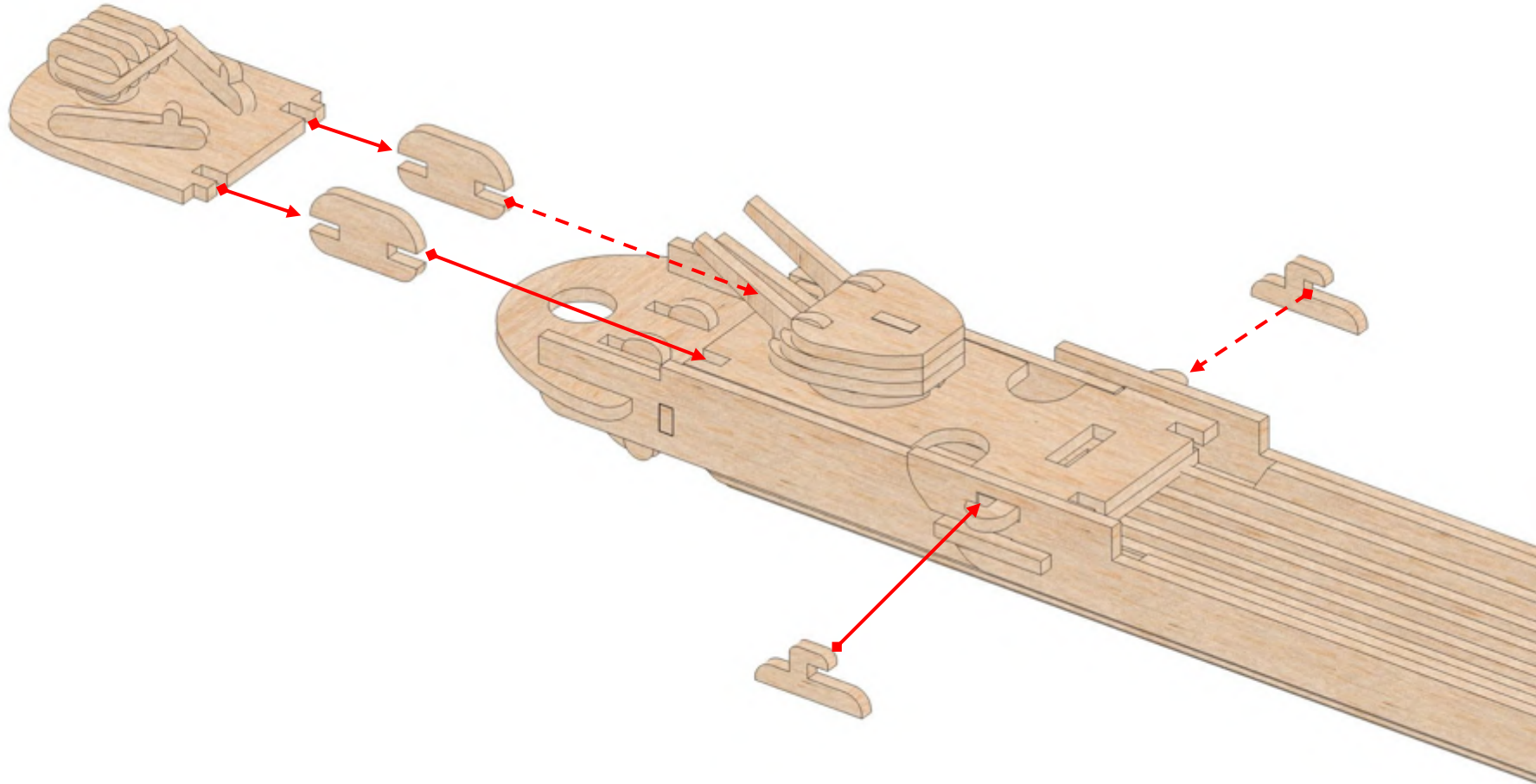
ROCKET LAUNCHER



DECK 



THE SAME CONNECTION ON
THE OPPOSITE SIDE 

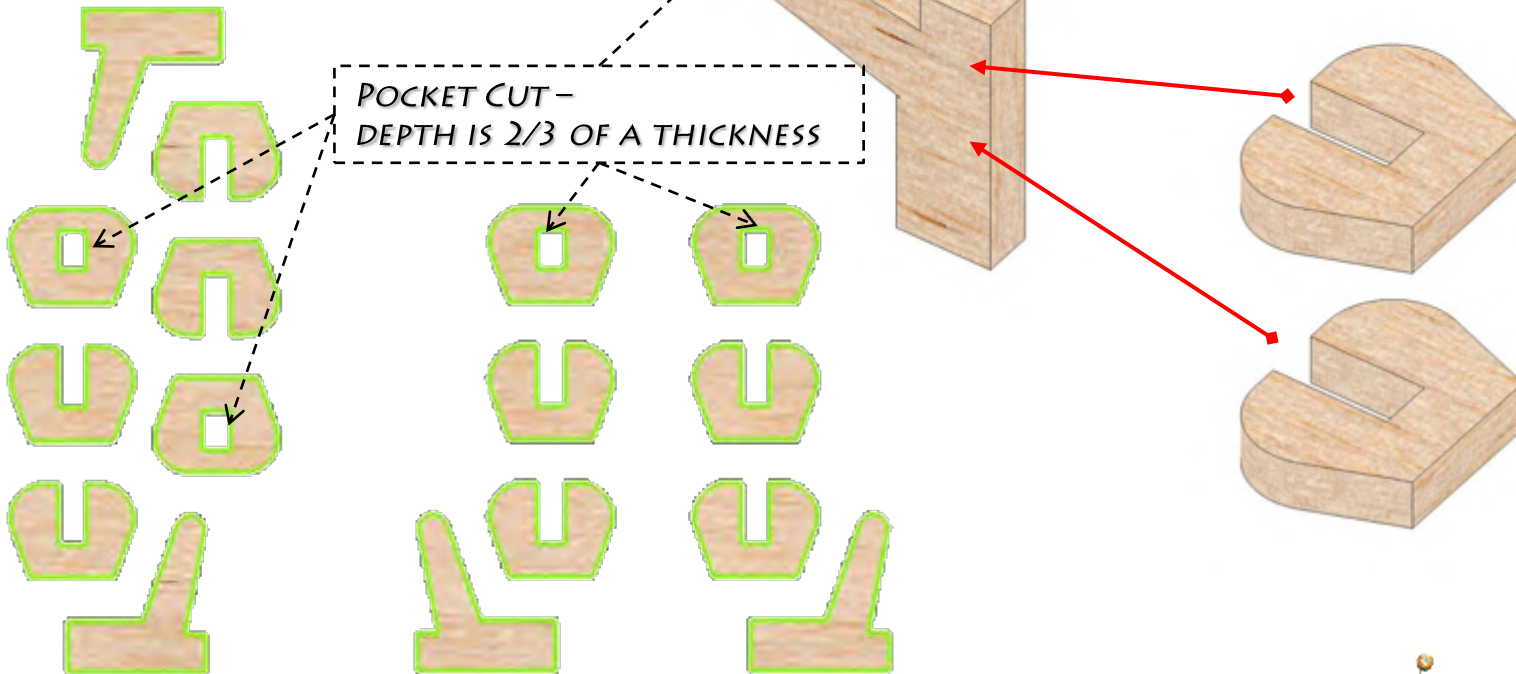


DECK 

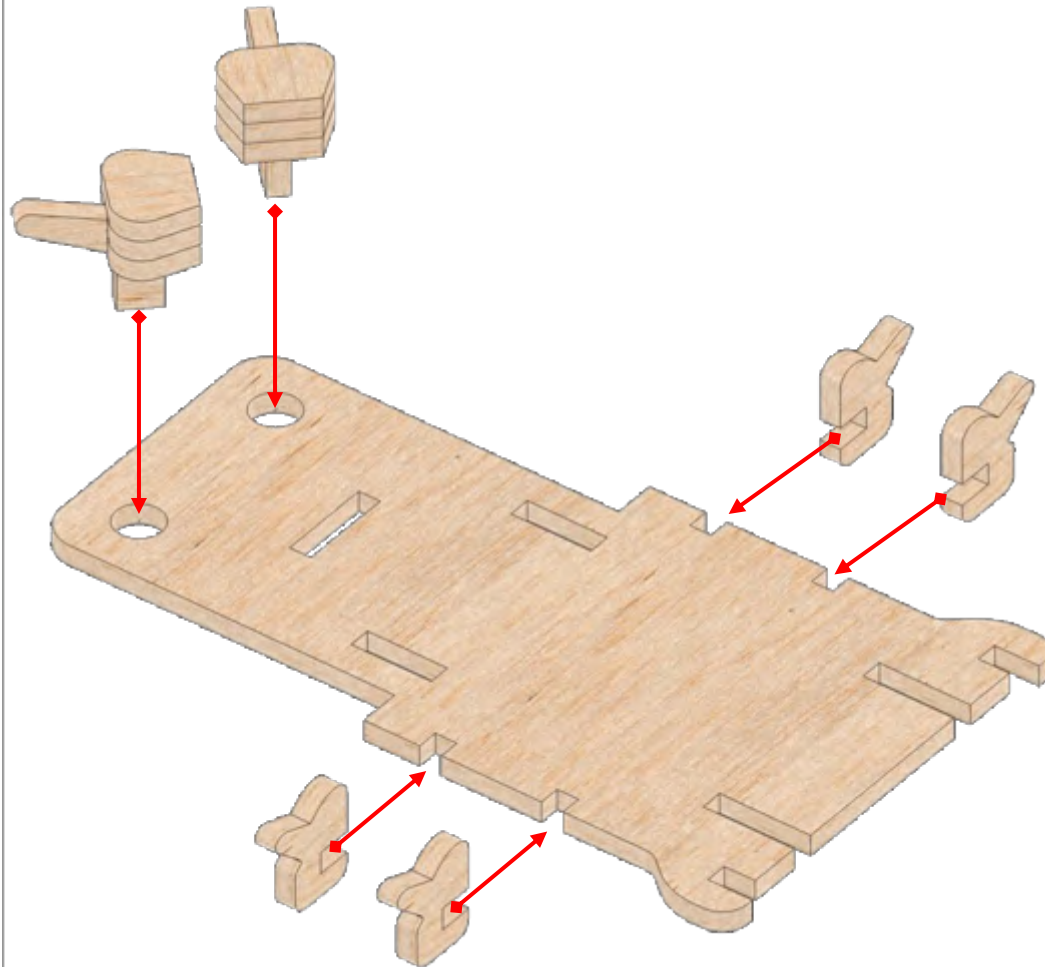


TURRETS SMALL X4PC 

POCKET CUT -
DEPTH IS 2/3 OF A THICKNESS

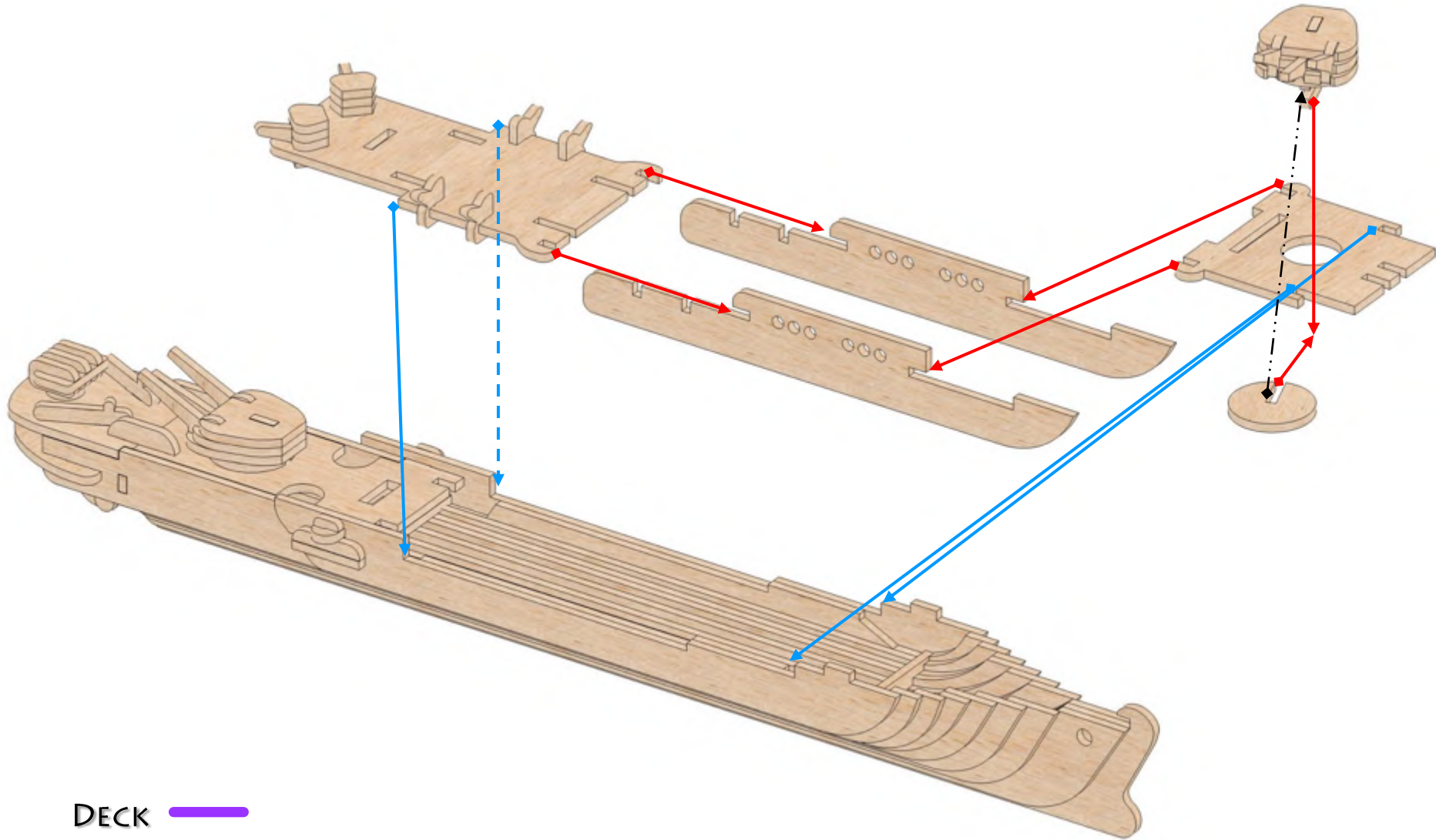


ASSEMBLY STEPS



DECK 

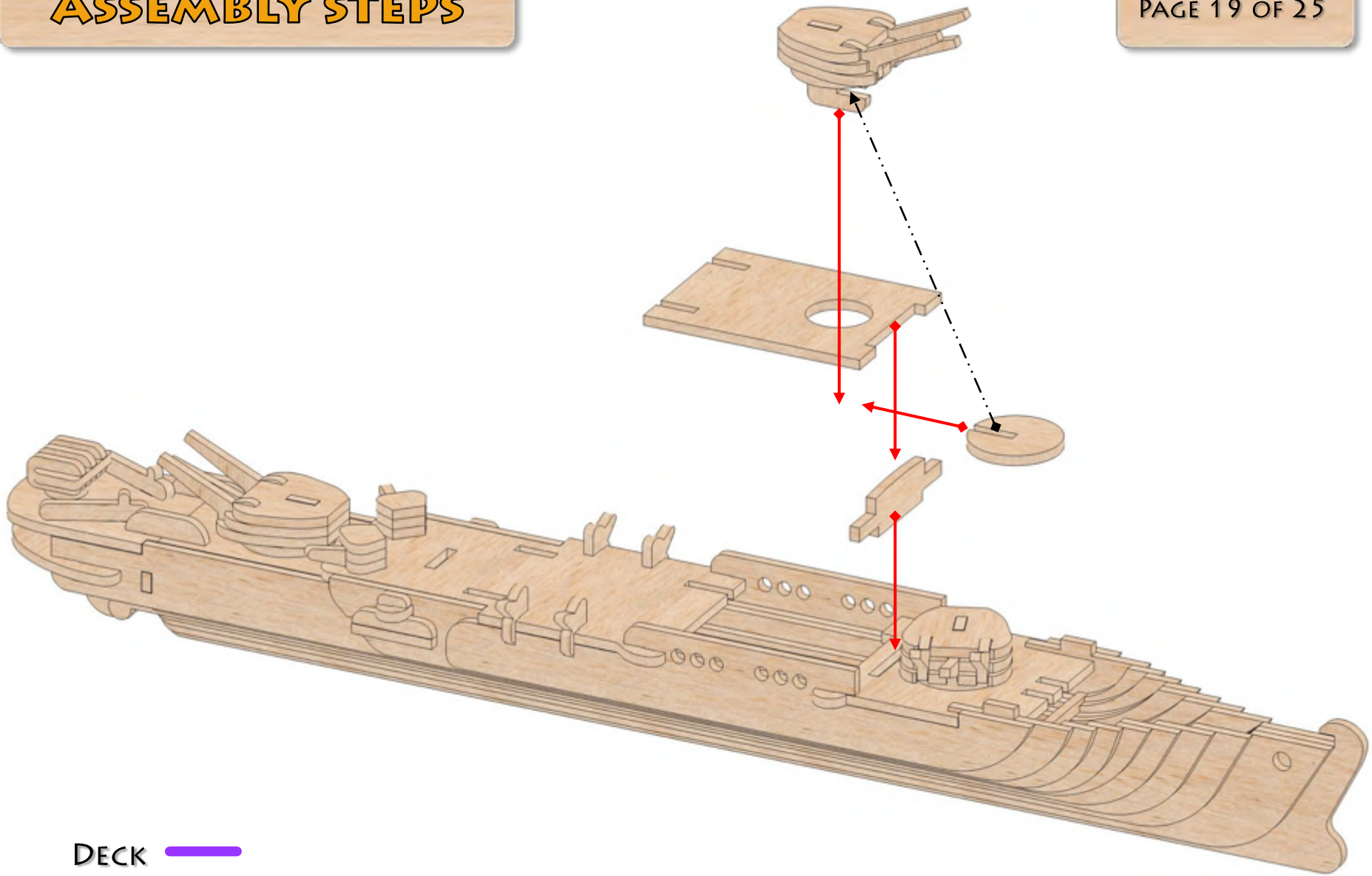




DECK —



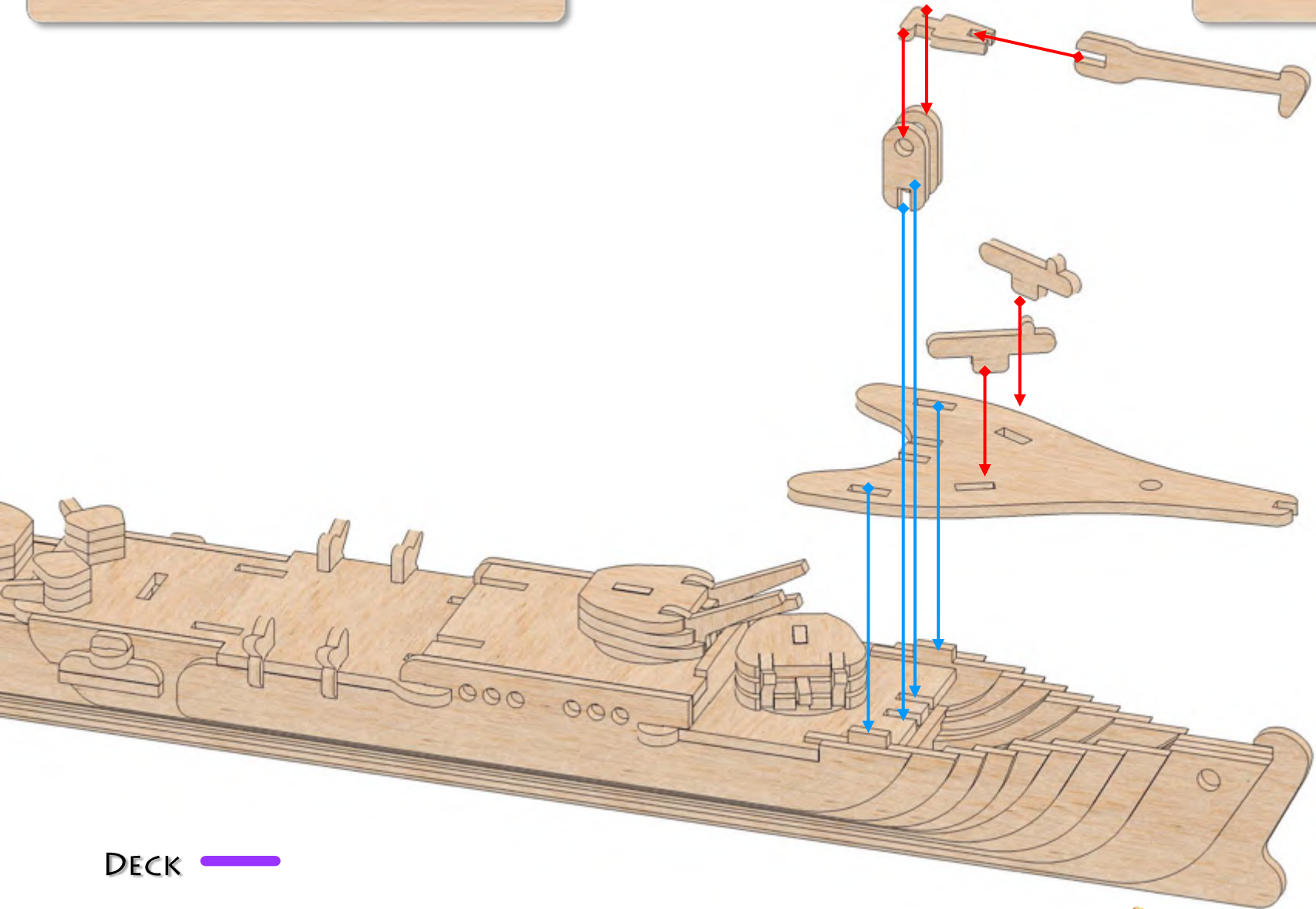
ASSEMBLY STEPS



DECK 



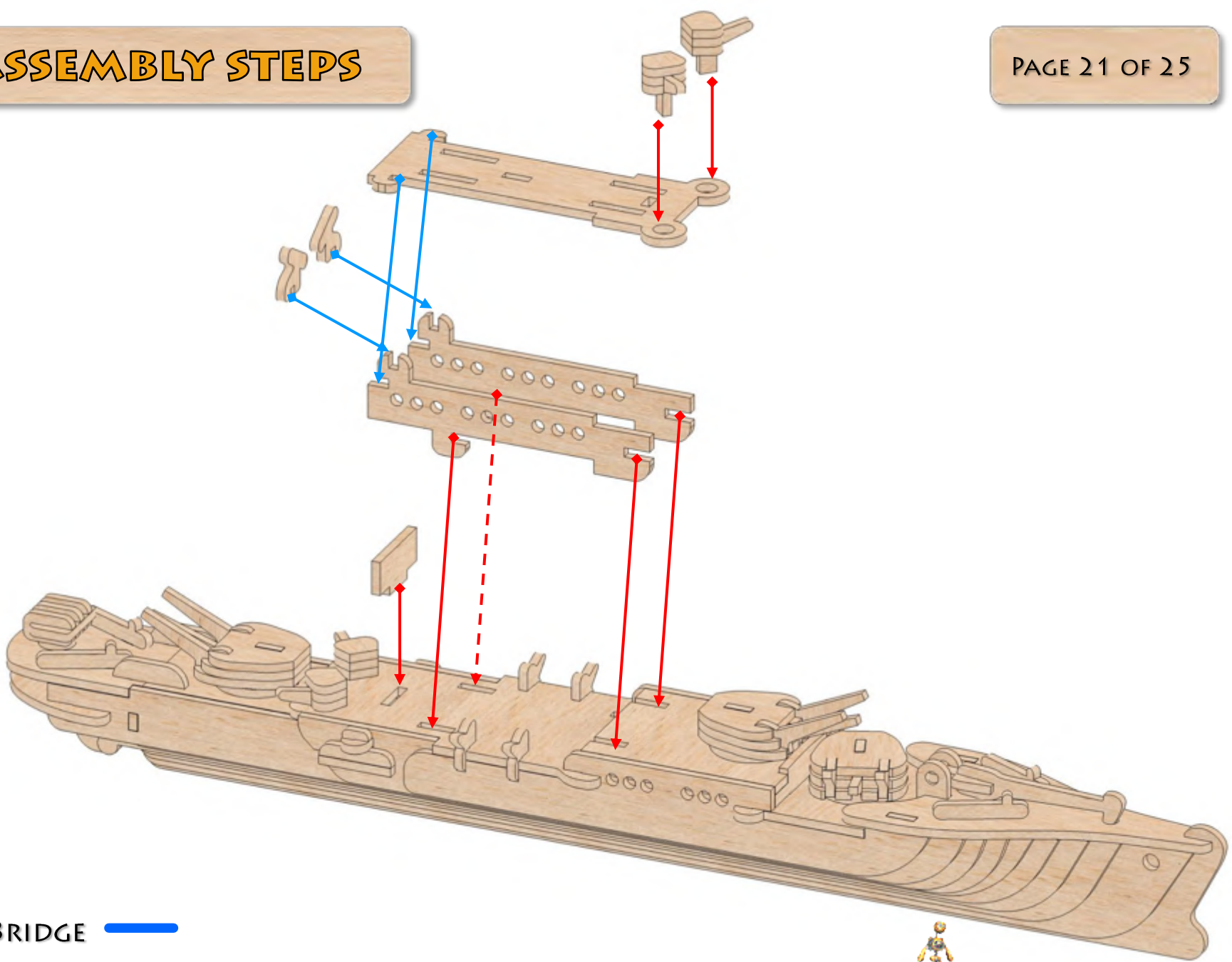
ASSEMBLY STEPS



DECK 

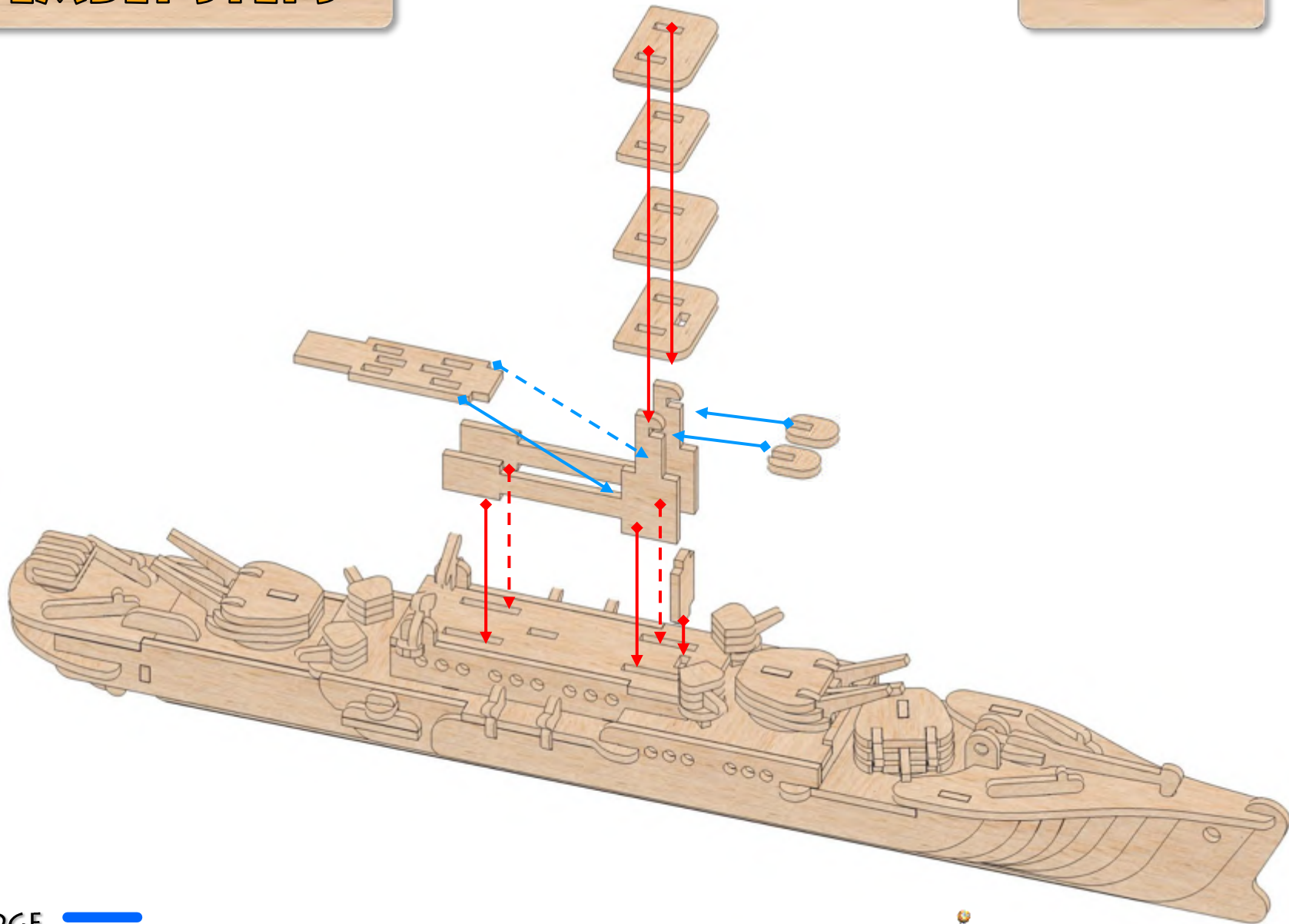


ASSEMBLY STEPS



BRIDGE ———

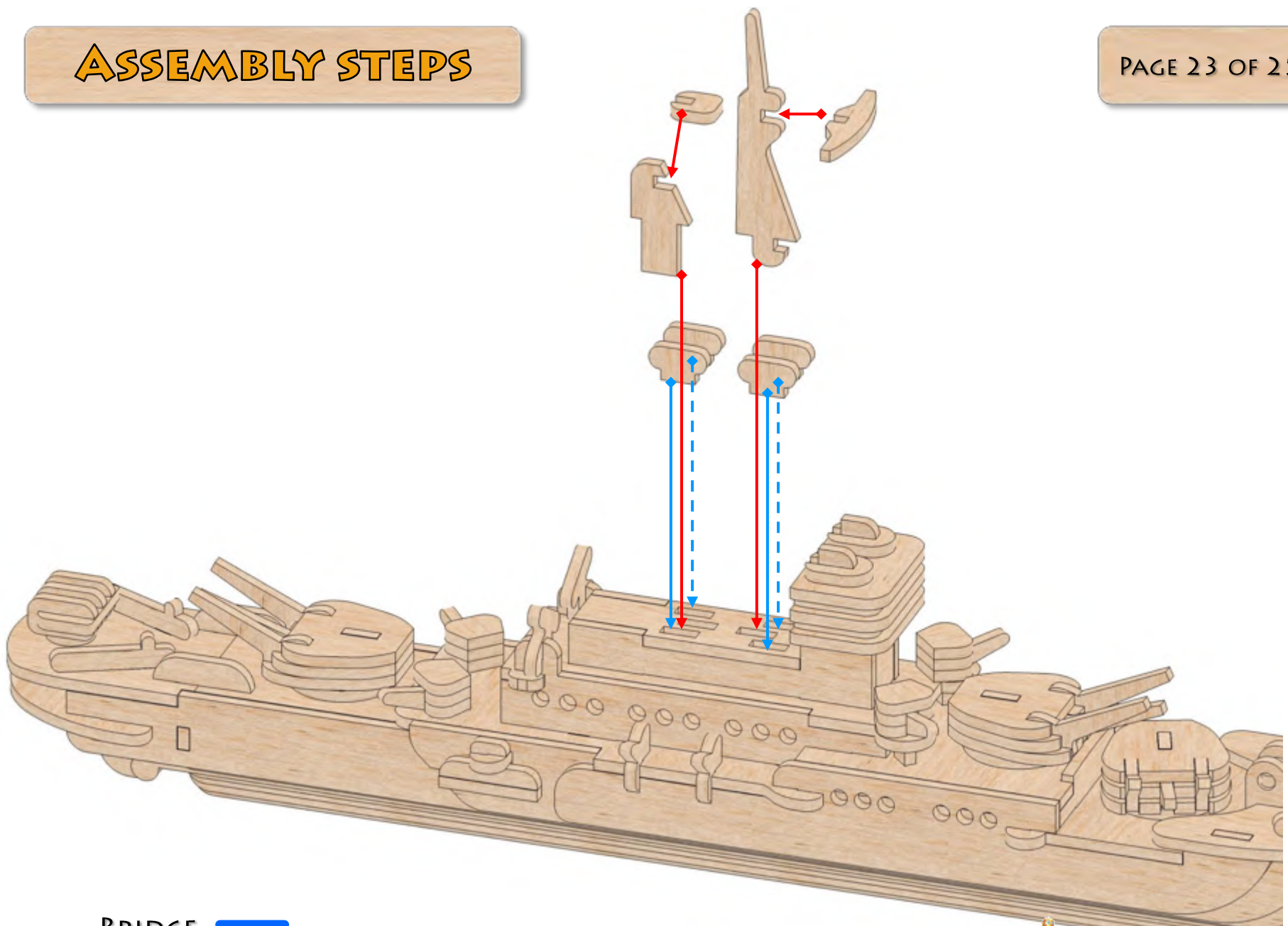




BRIDGE 

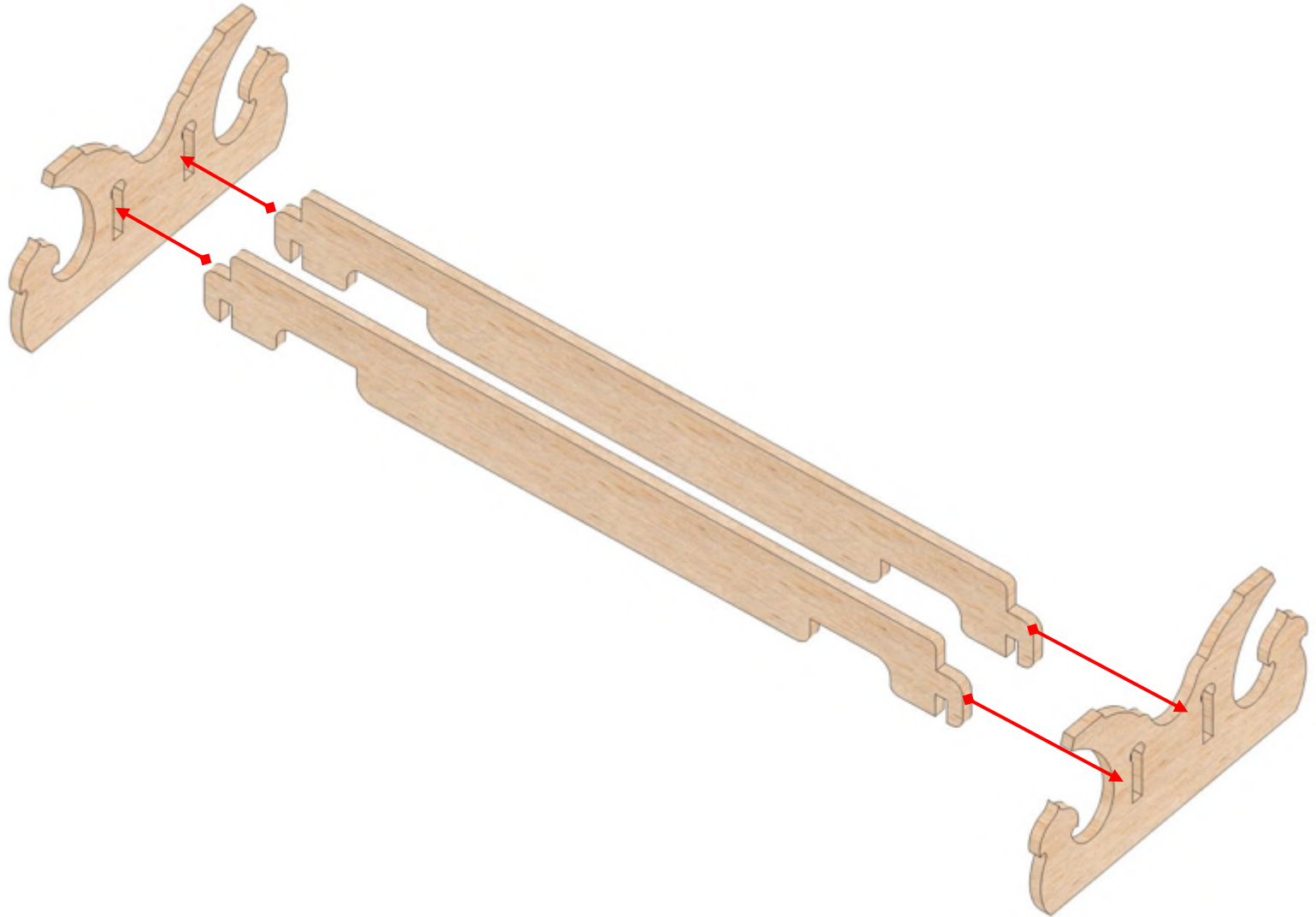


ASSEMBLY STEPS



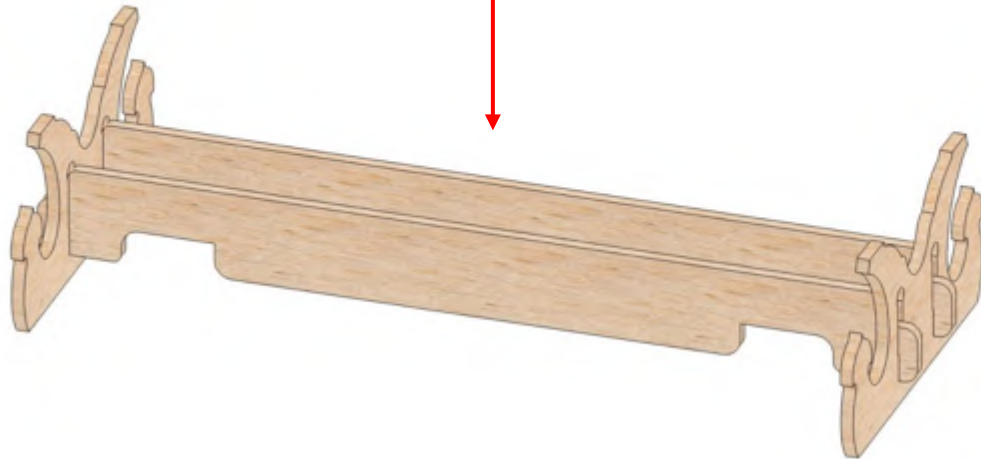
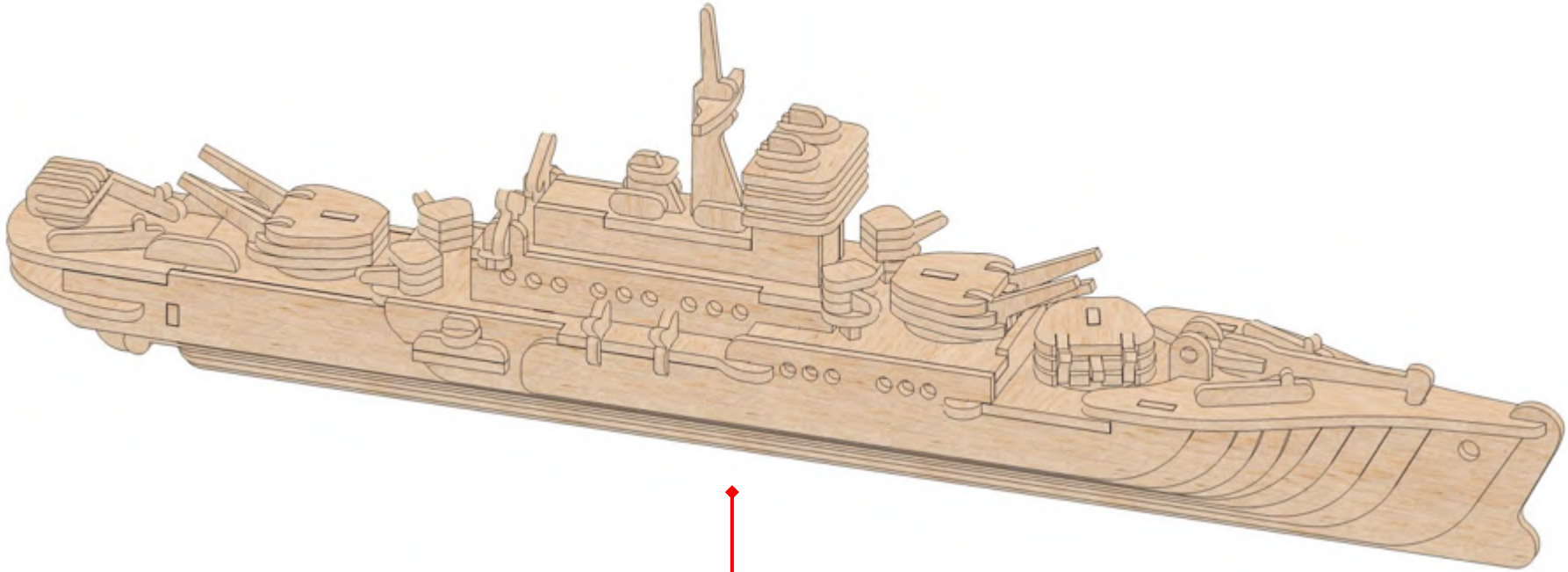
BRIDGE 





STAND 





STAND 

