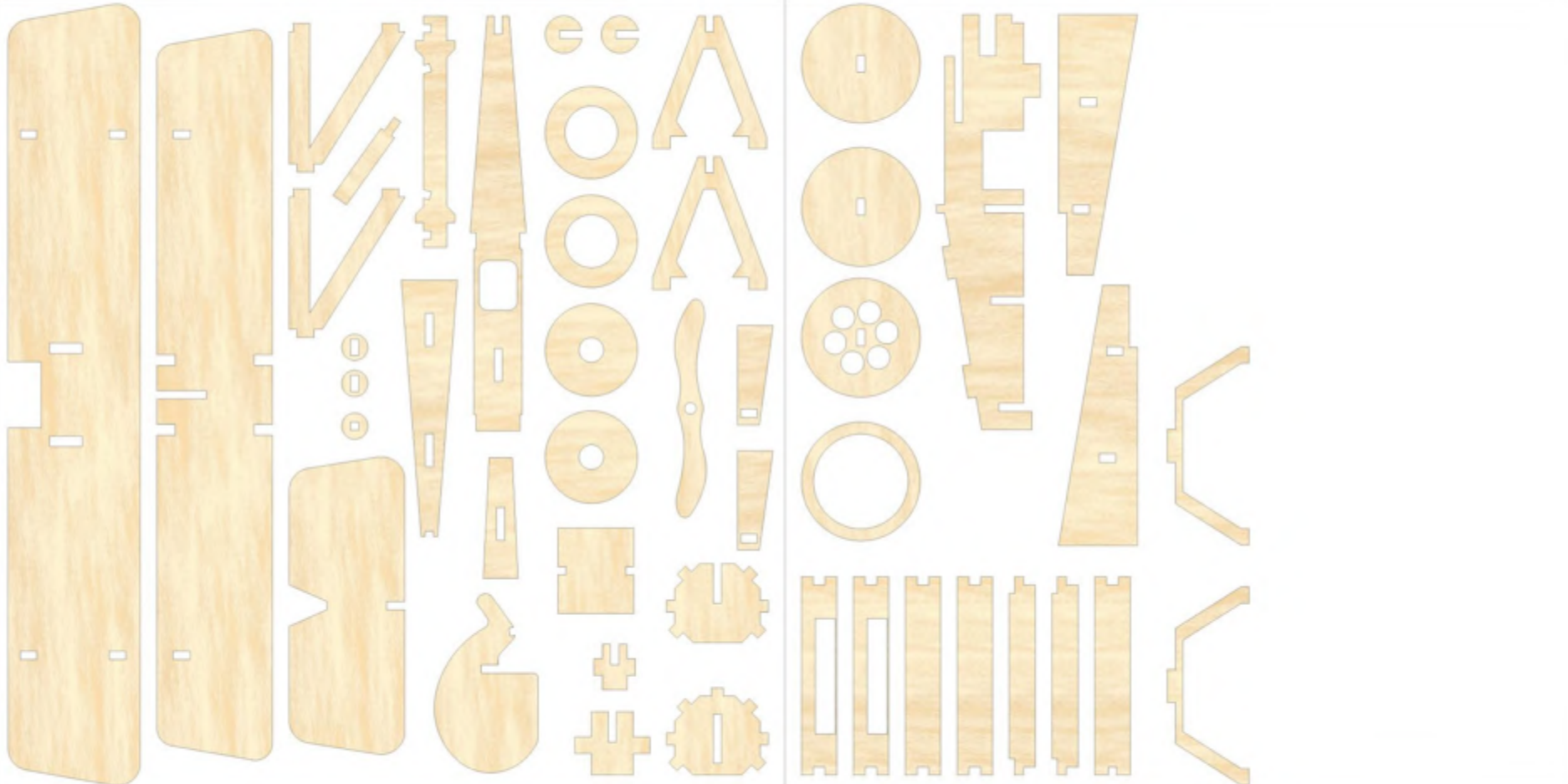




NIEUPOORT 17



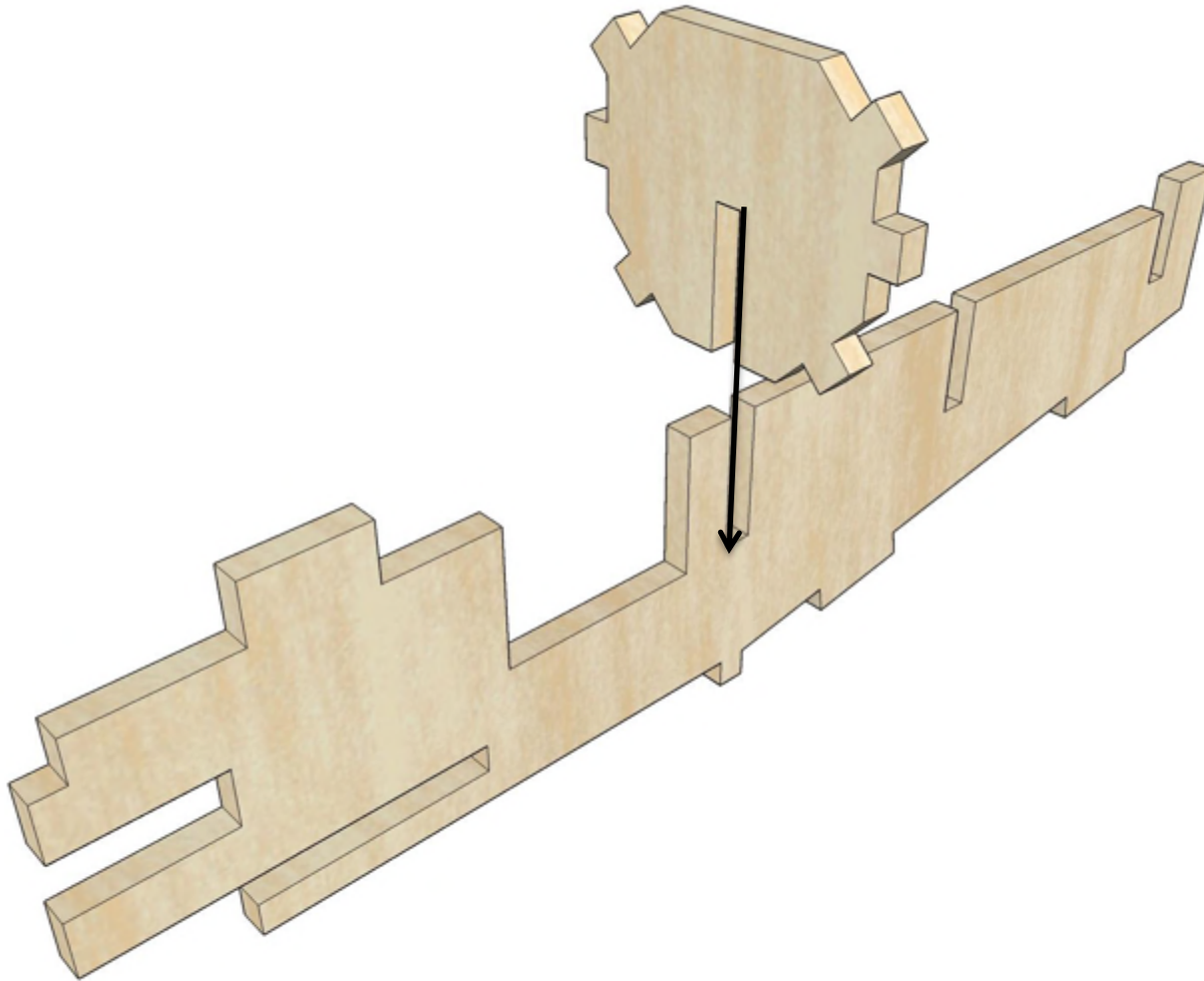


PARTS LIST



IT IS RECOMMENDED TO GO THROUGH ALL THE PAGES
AND SEE EACH STEP BEFORE STARTING THE ASSEMBLY

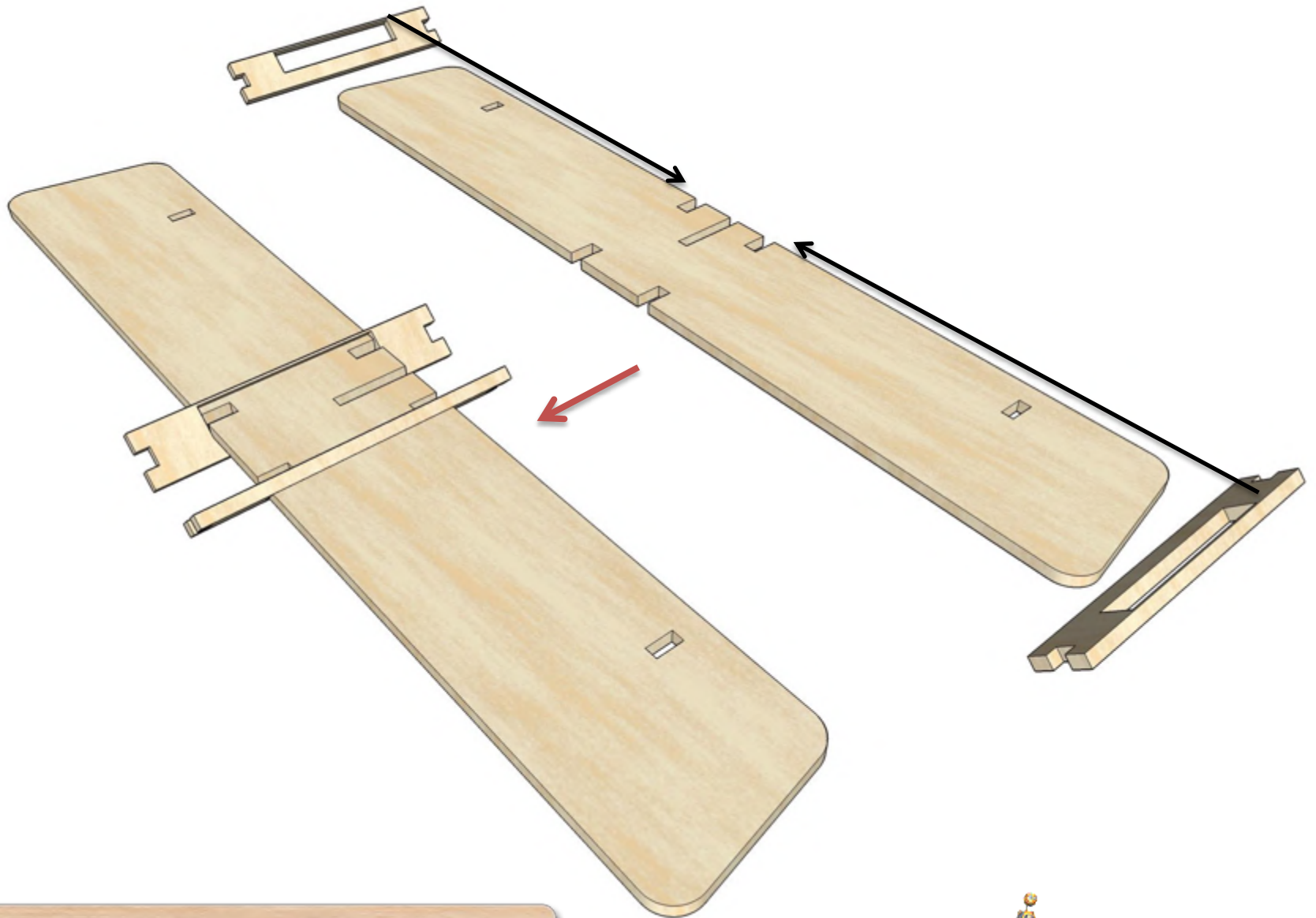
makeCNC



ASSEMBLY STEPS

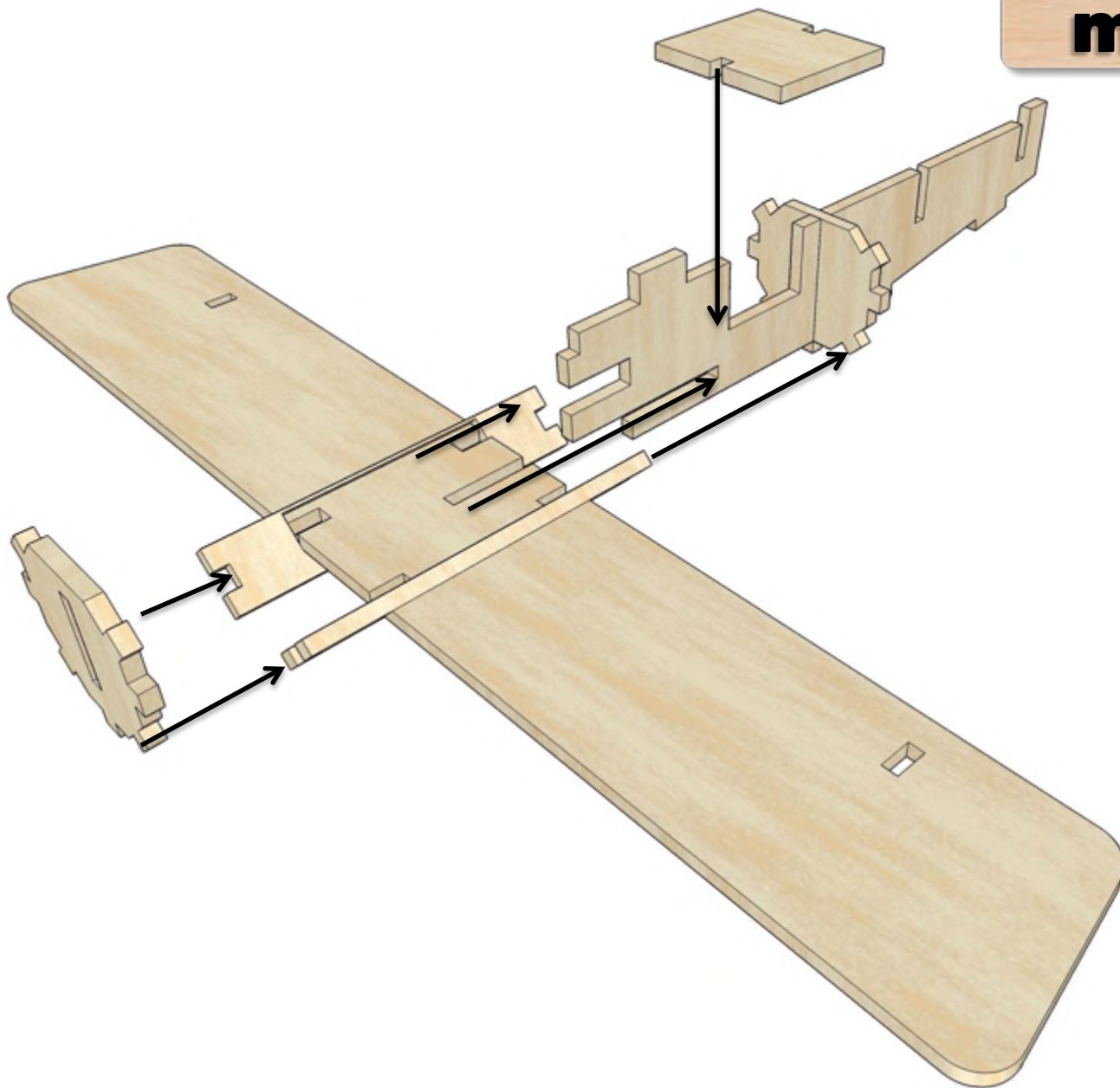


www.makecnc.com



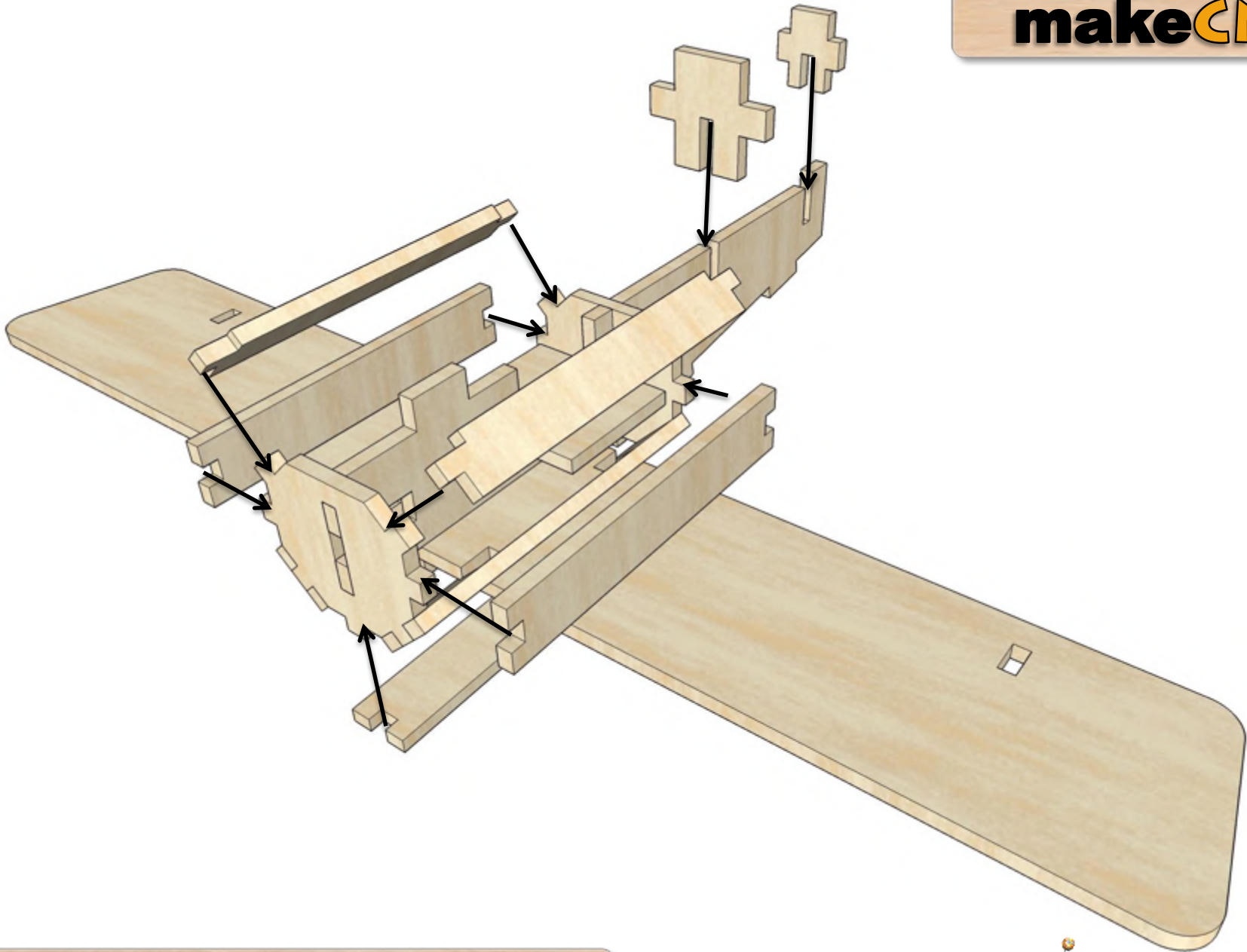
ASSEMBLY STEPS





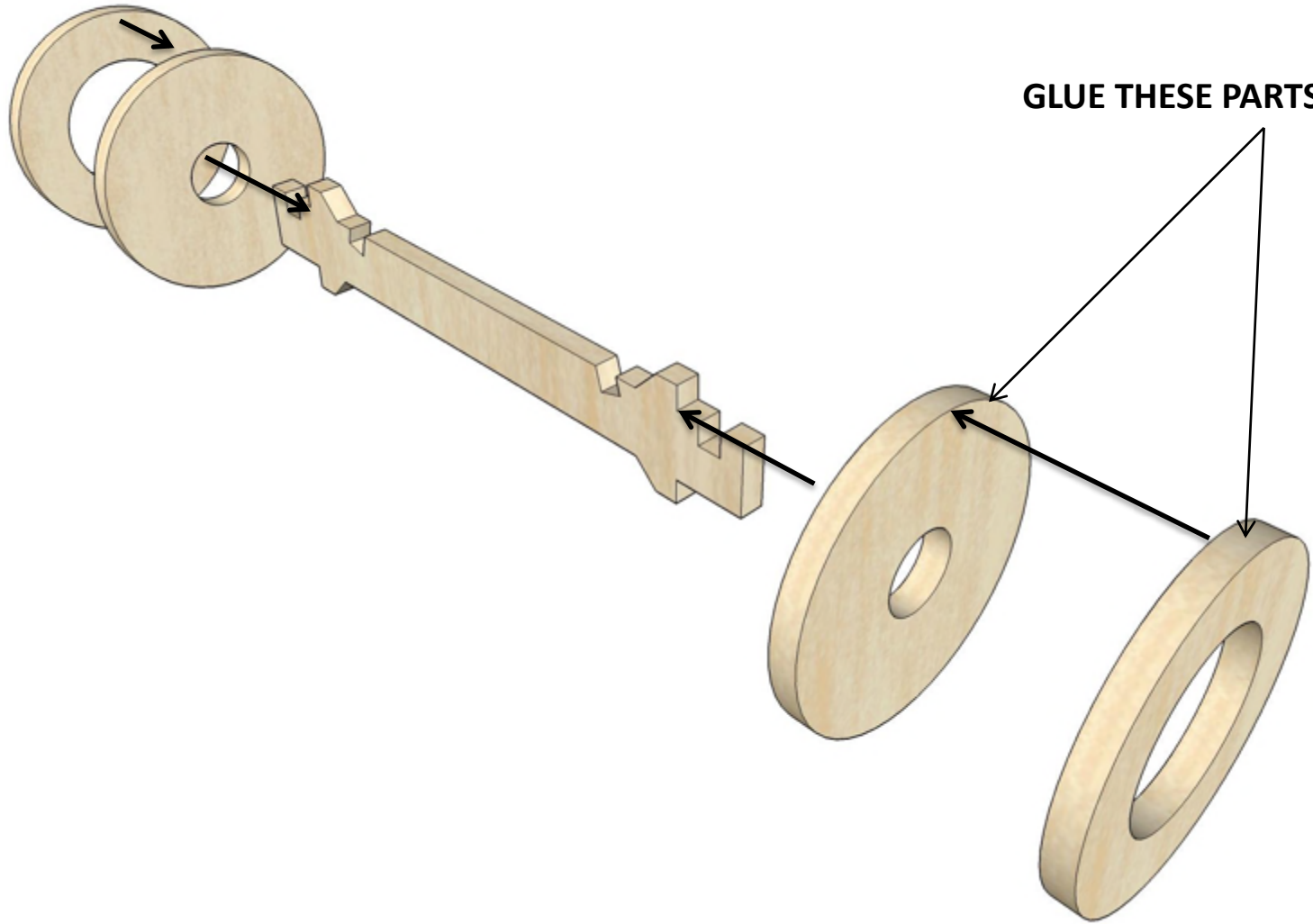
ASSEMBLY STEPS





ASSEMBLY STEPS

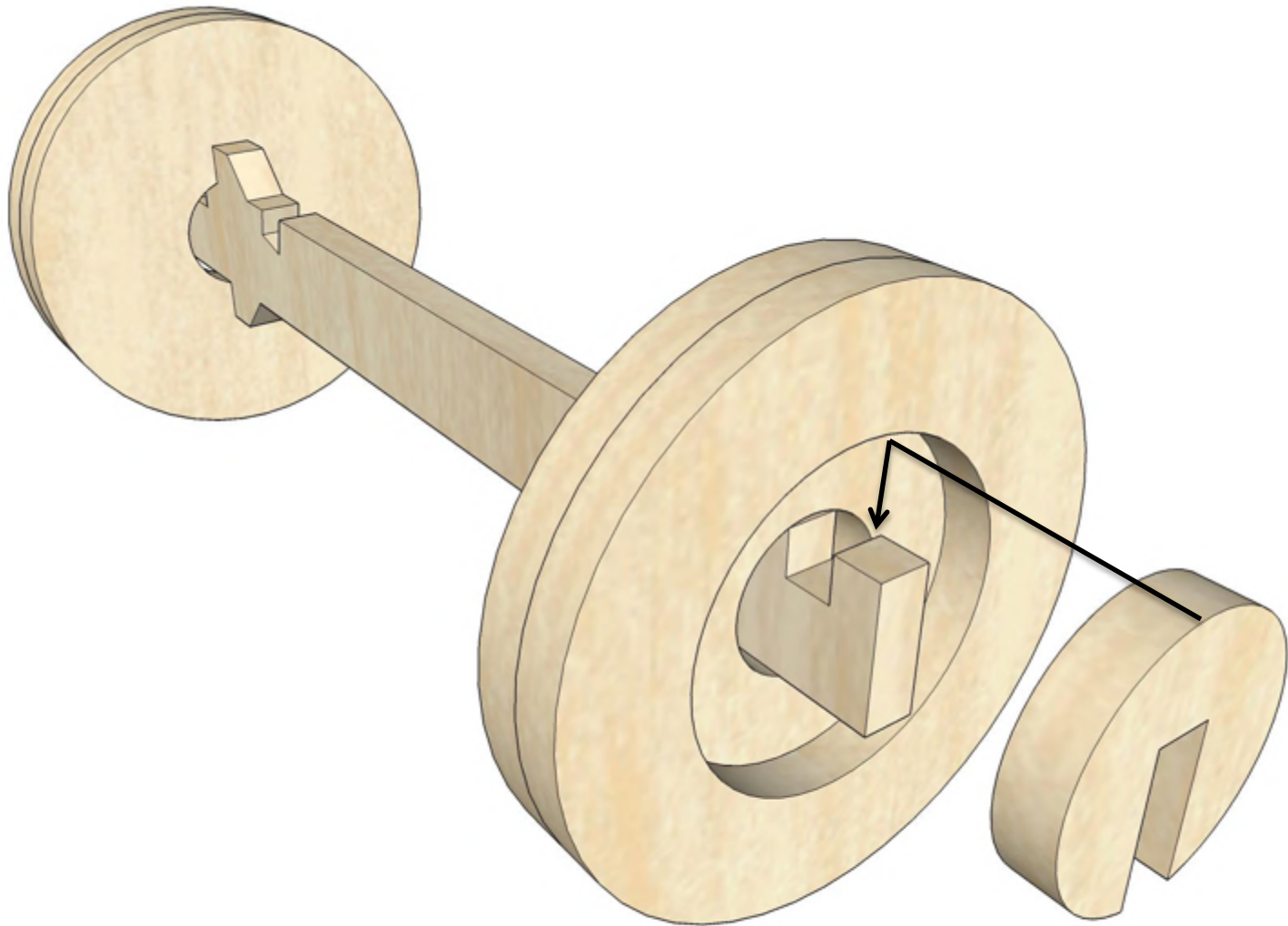




GLUE THESE PARTS TOGETHER

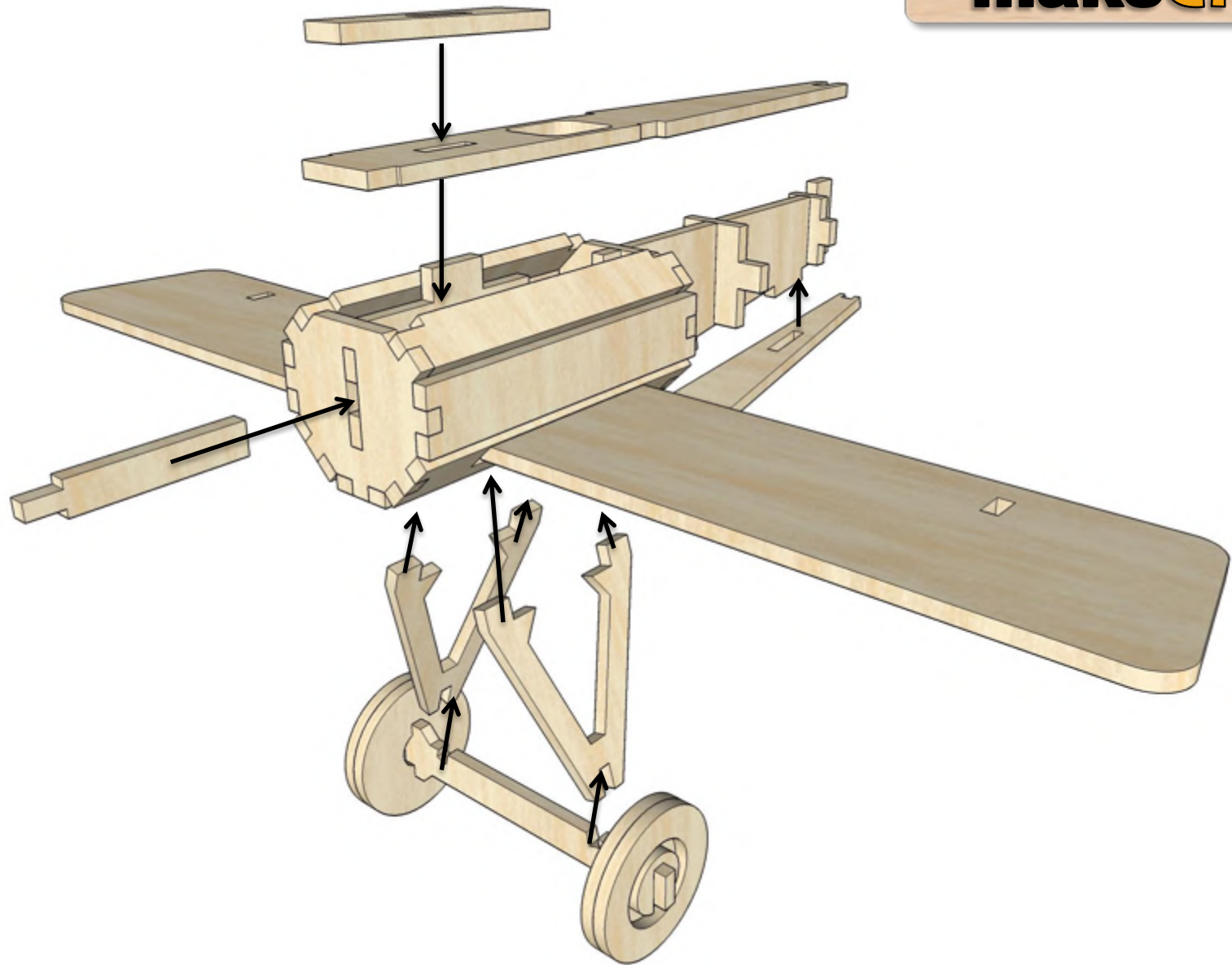
ASSEMBLY STEPS





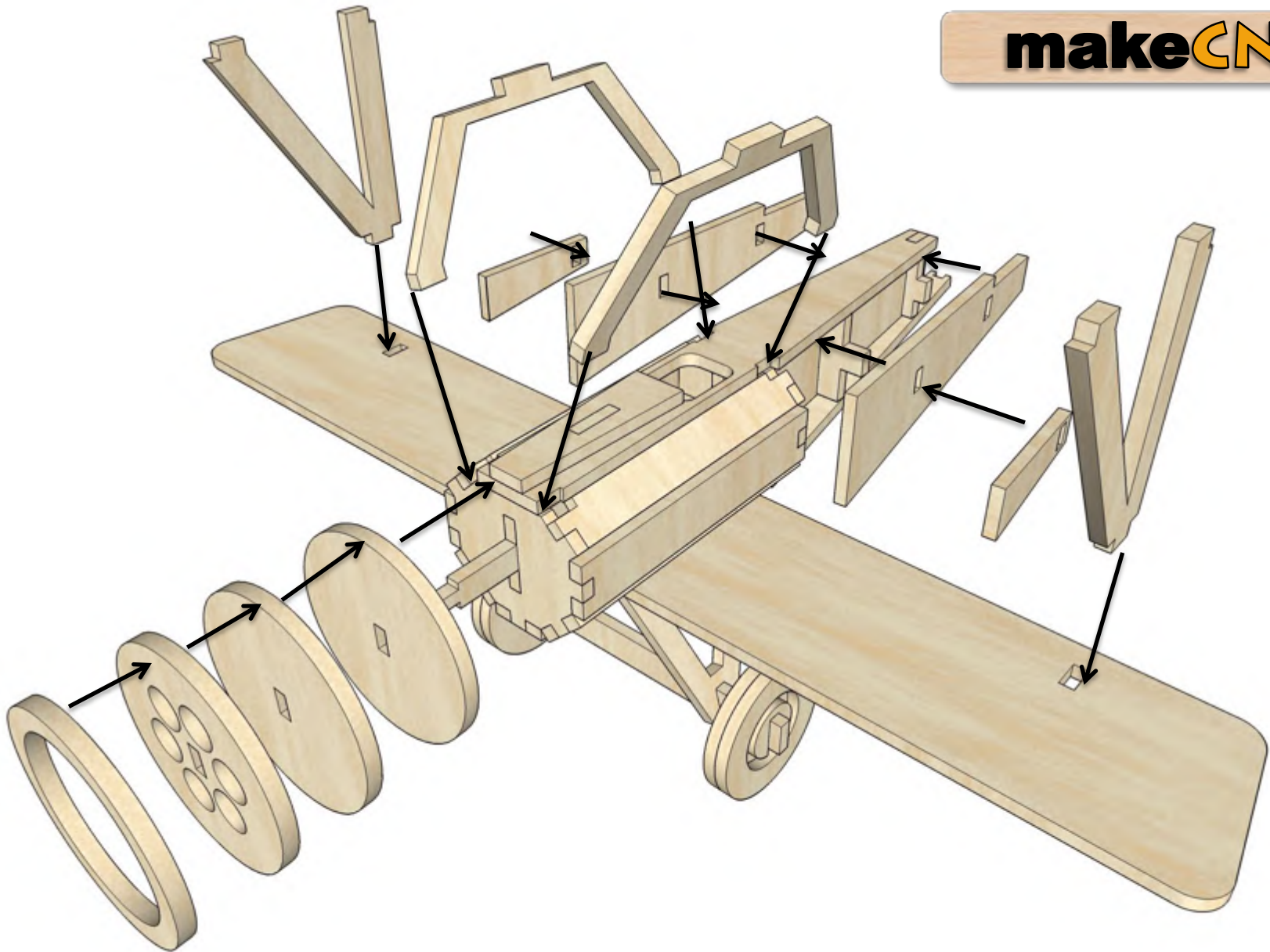
ASSEMBLY STEPS





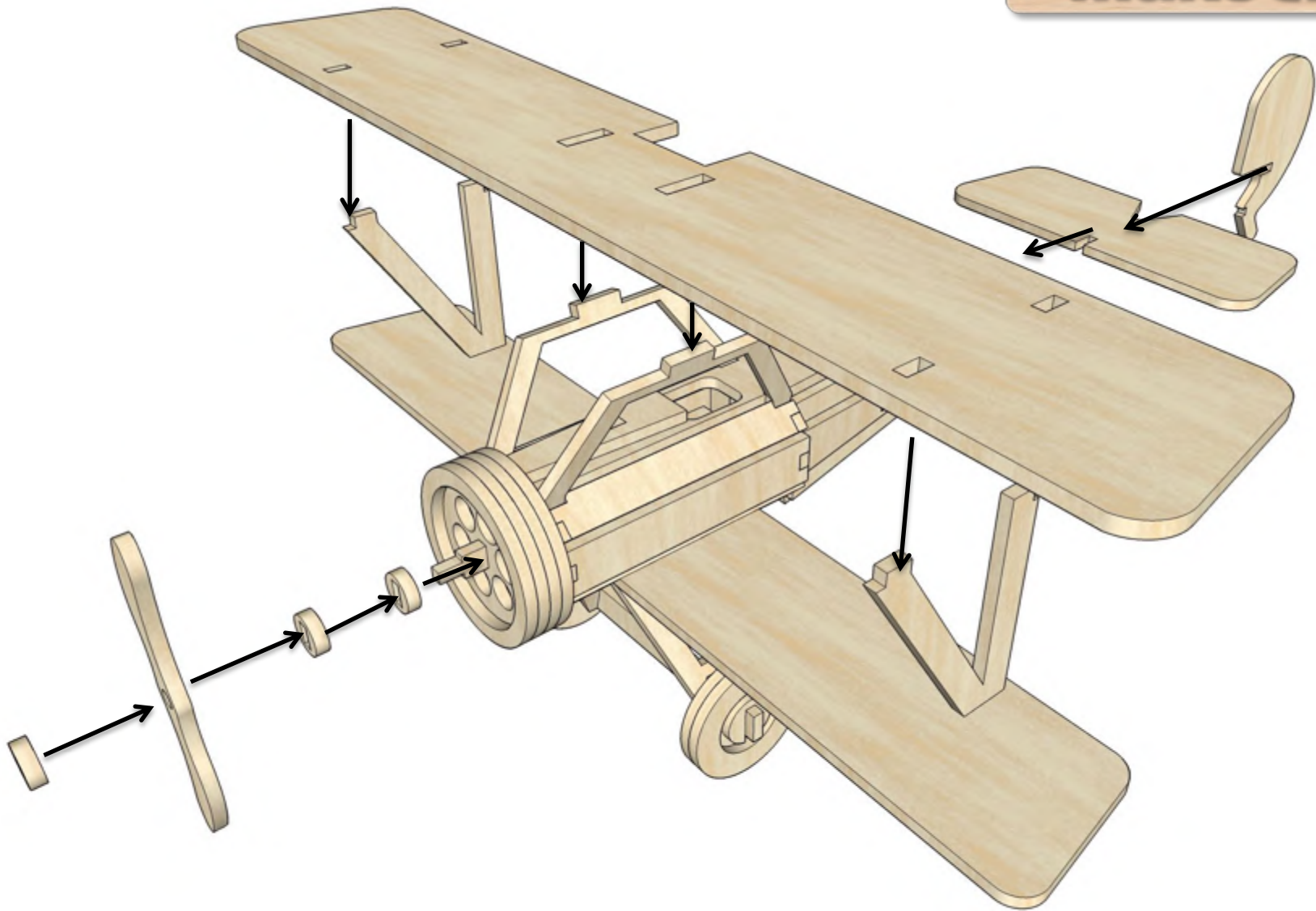
ASSEMBLY STEPS





ASSEMBLY STEPS





ASSEMBLY STEPS





COMPLETED

