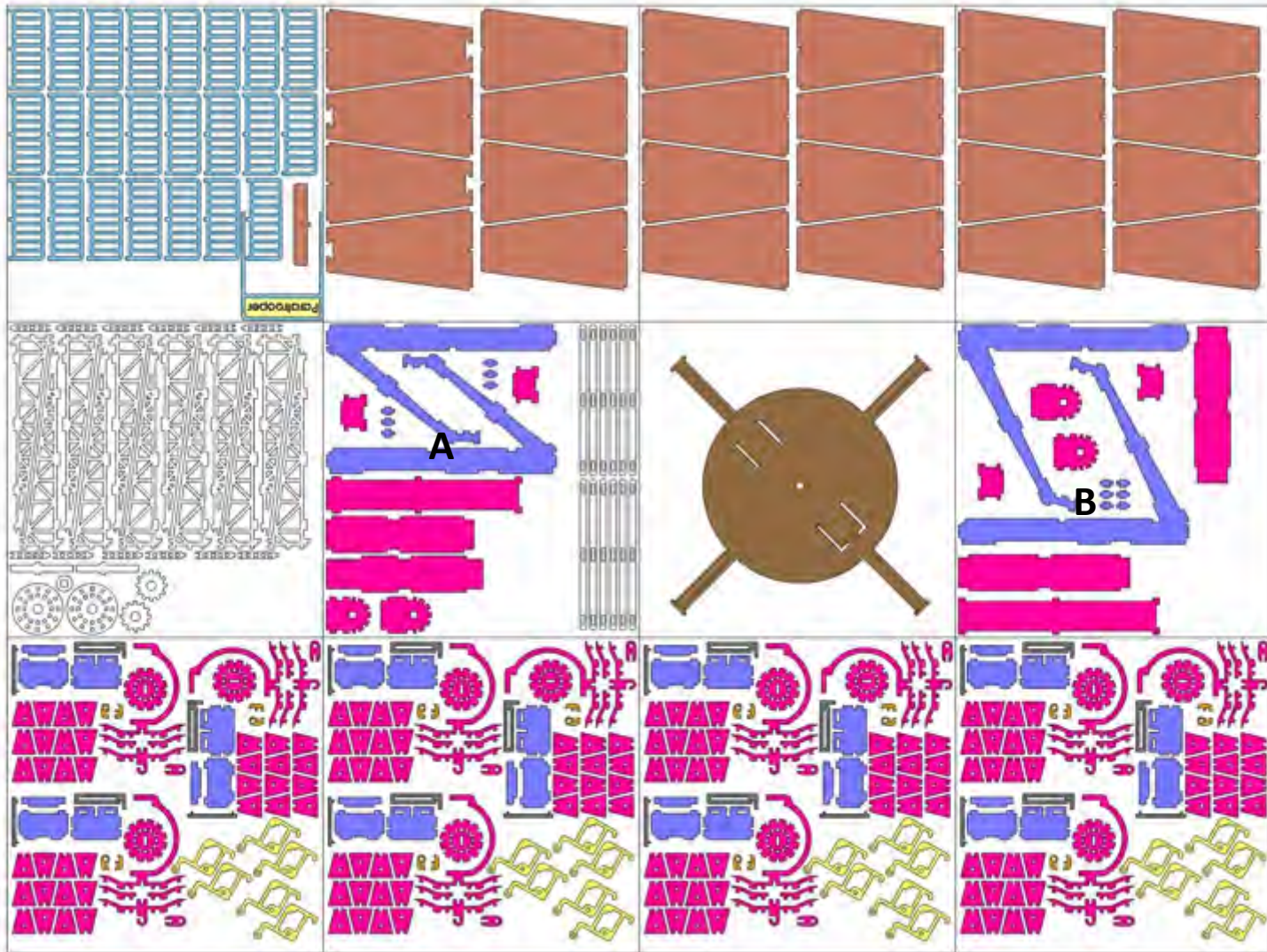


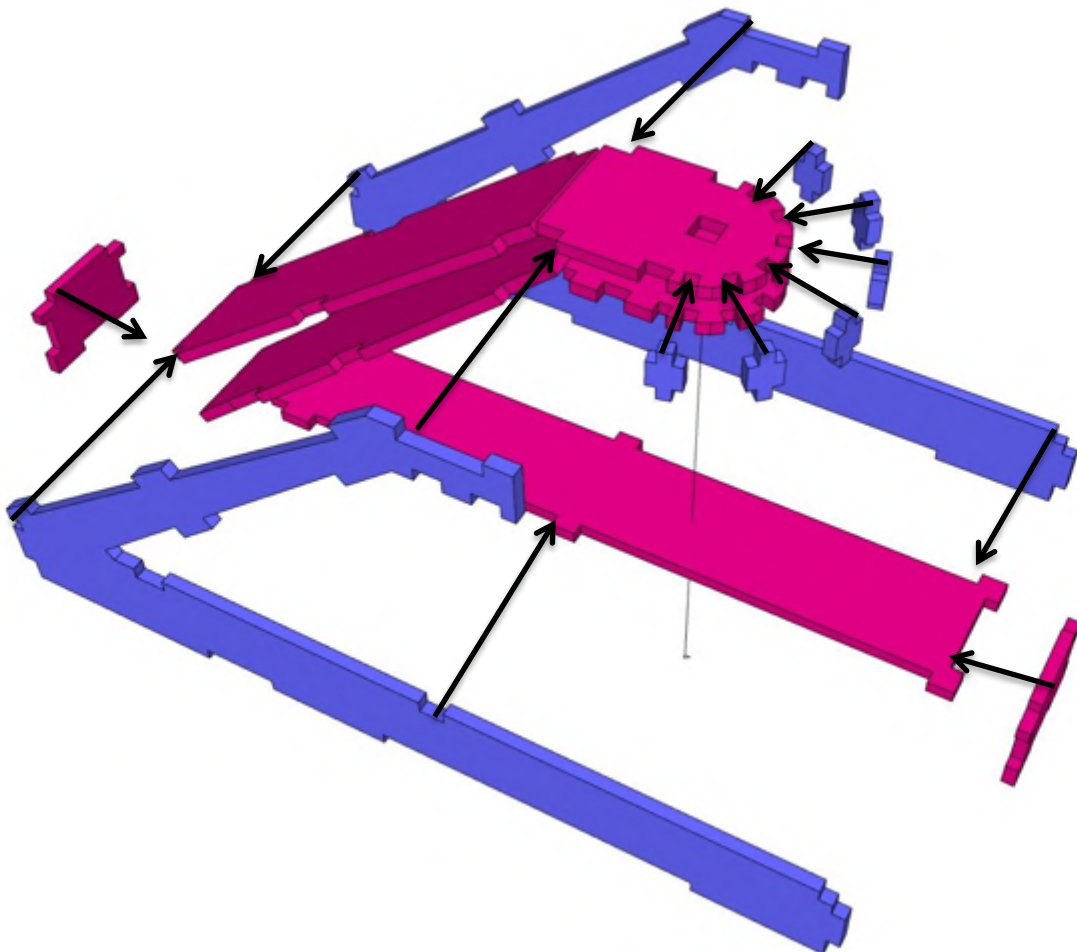
PARATROOPER CARNIVAL RIDE



PARTS LIST

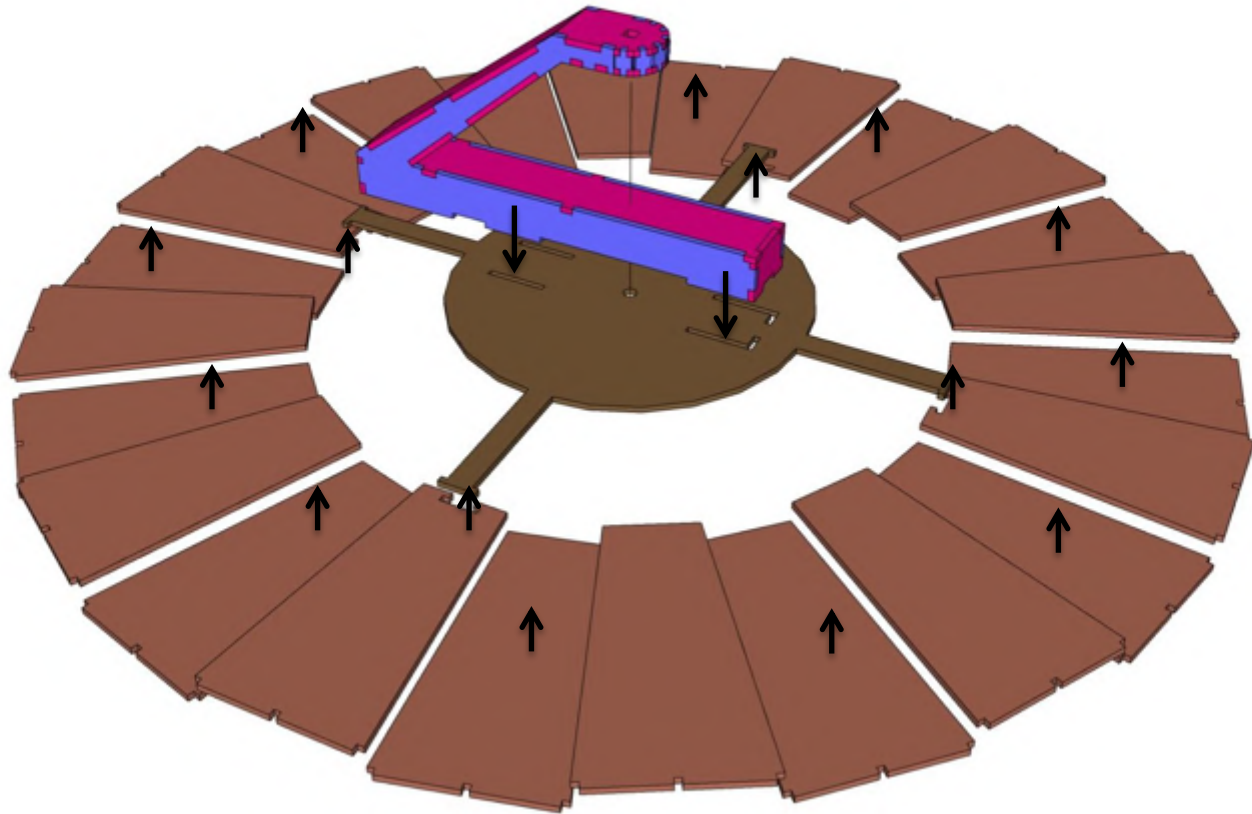


IT IS RECOMMENDED TO GO THROUGH ALL THE PAGES
AND SEE EACH STEP BEFORE STARTING THE ASSEMBLY

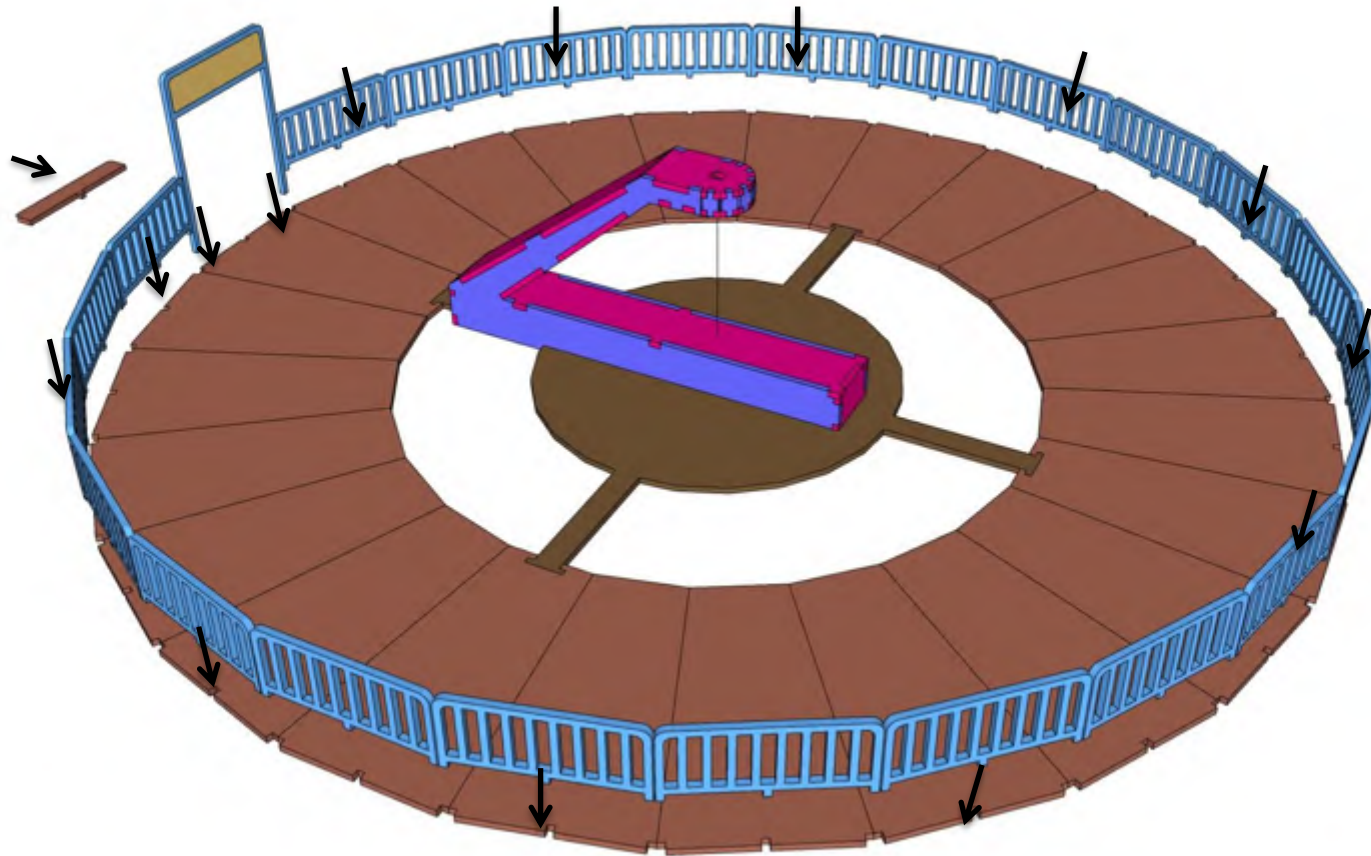


USE "A" OR "B" FROM THE CUTTING SHEET
TO GET HORIZONTAL OR ANGLED ROTATION AXIS

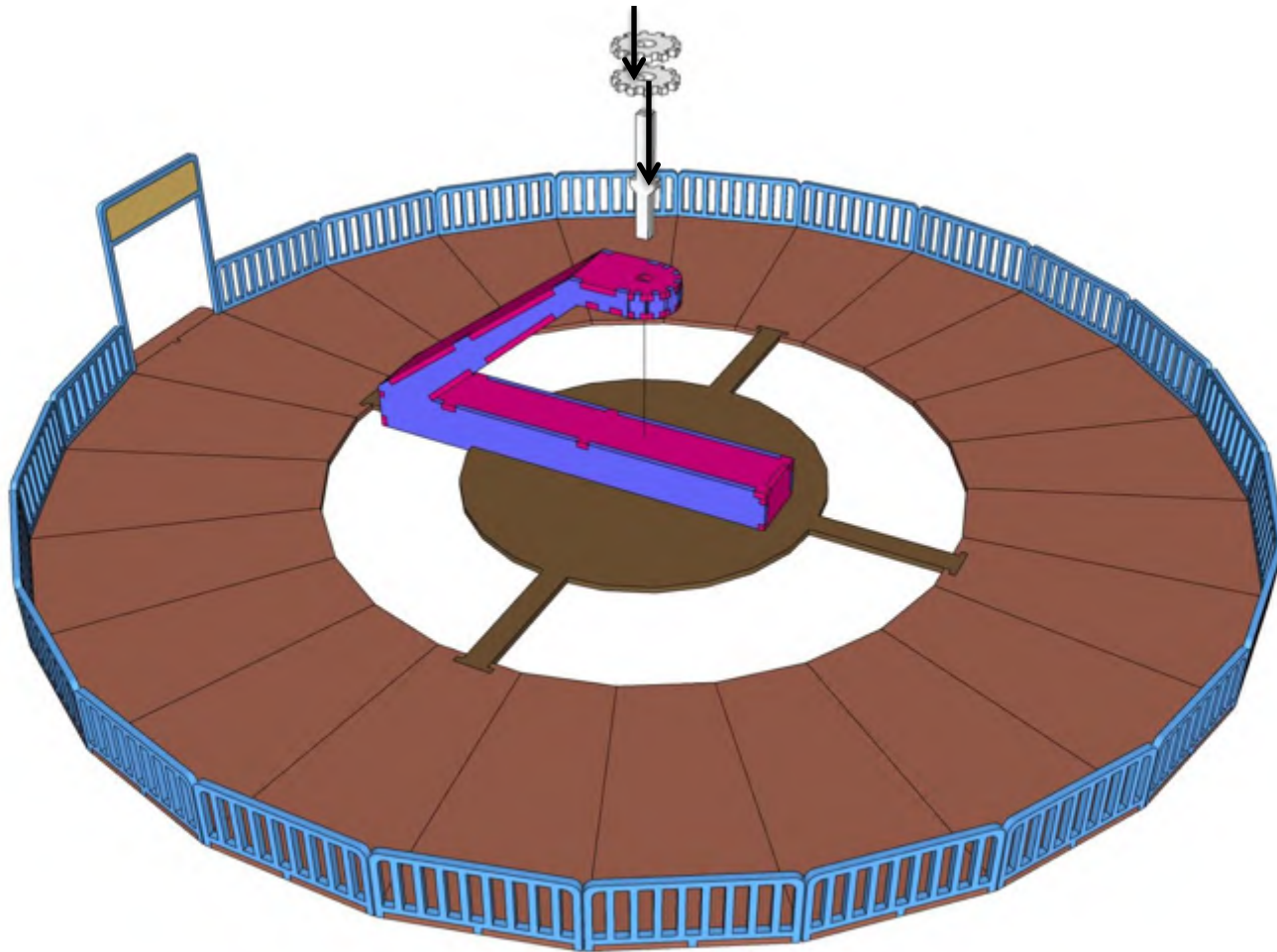
ASSEMBLY STEPS



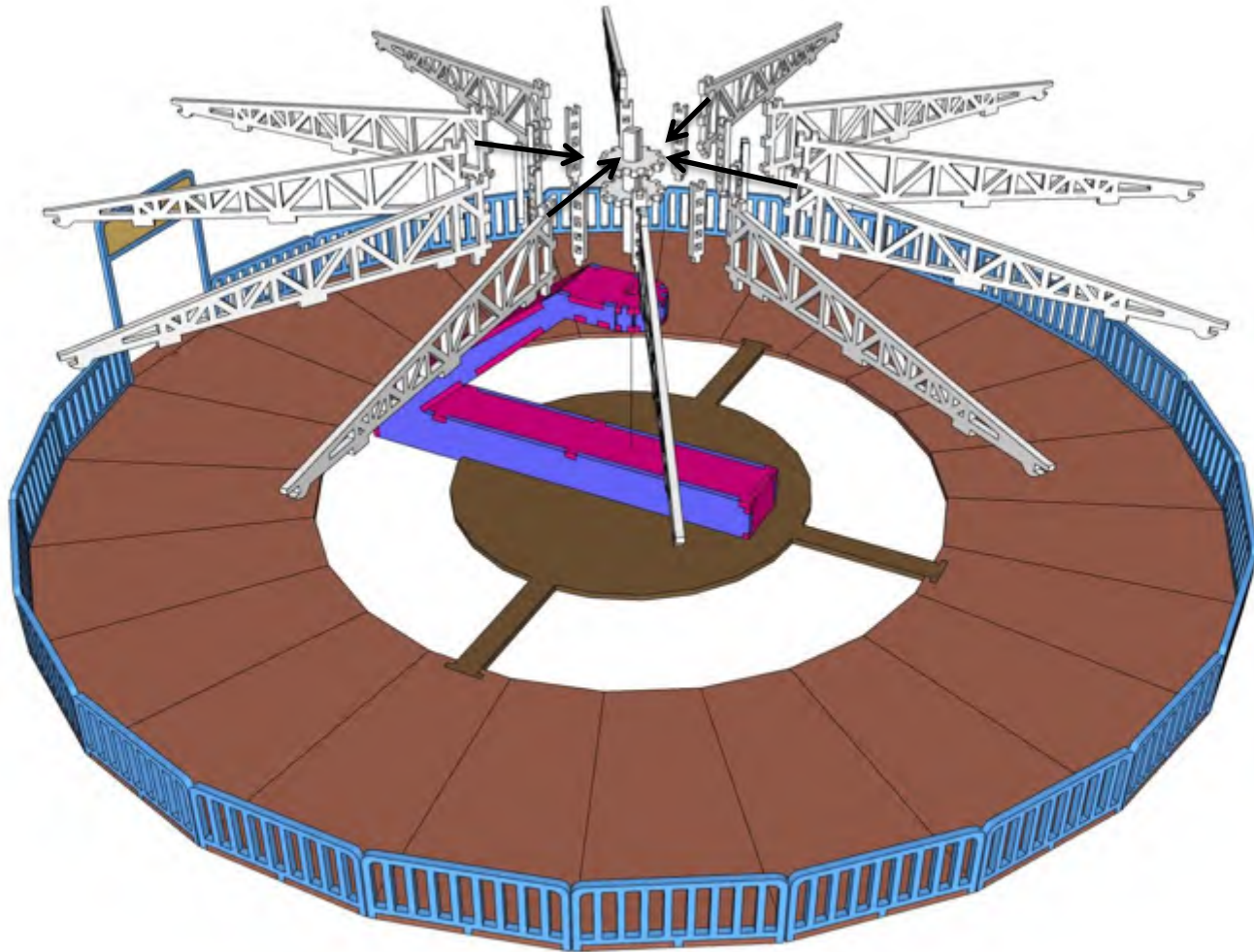
ASSEMBLY STEPS



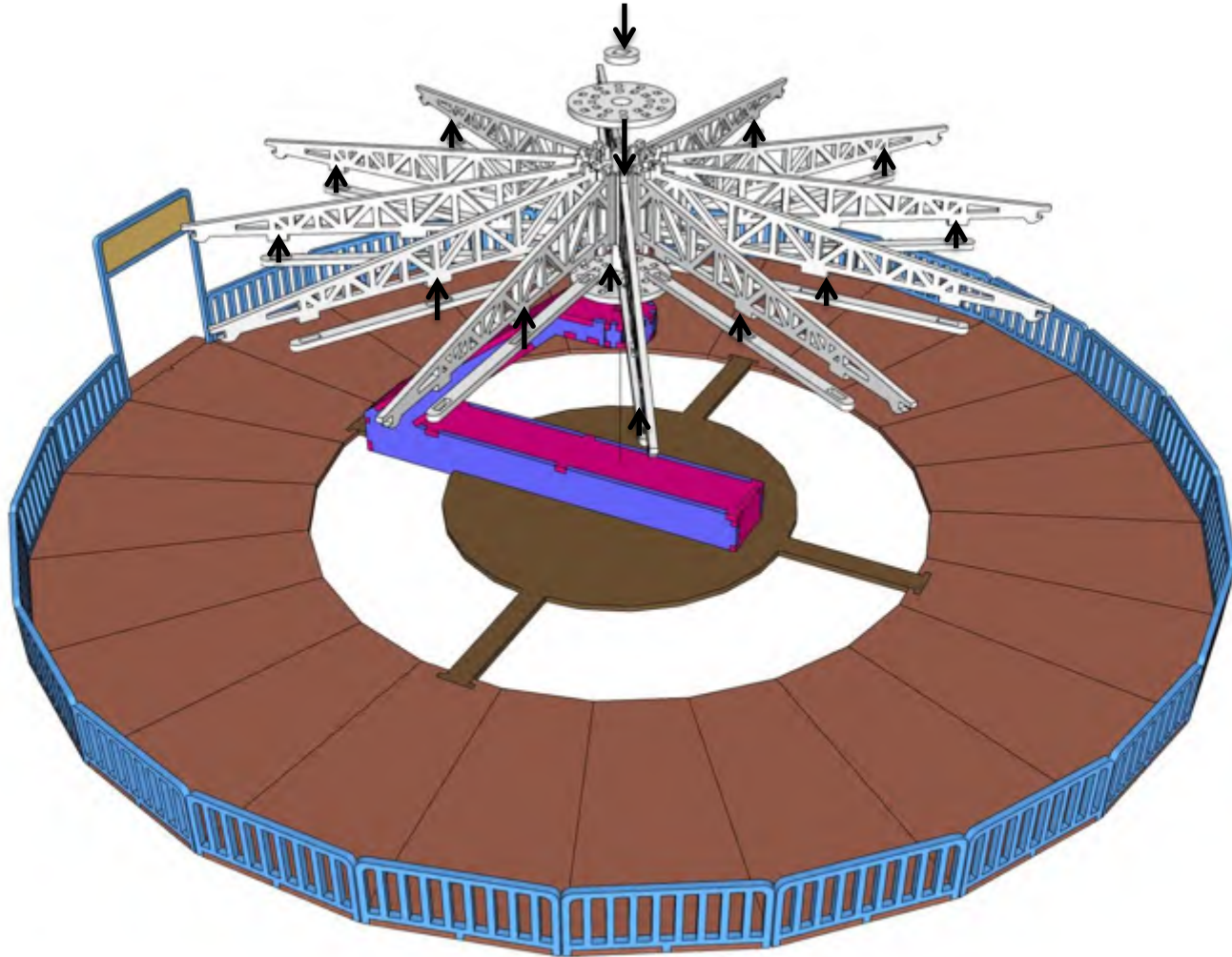
ASSEMBLY STEPS



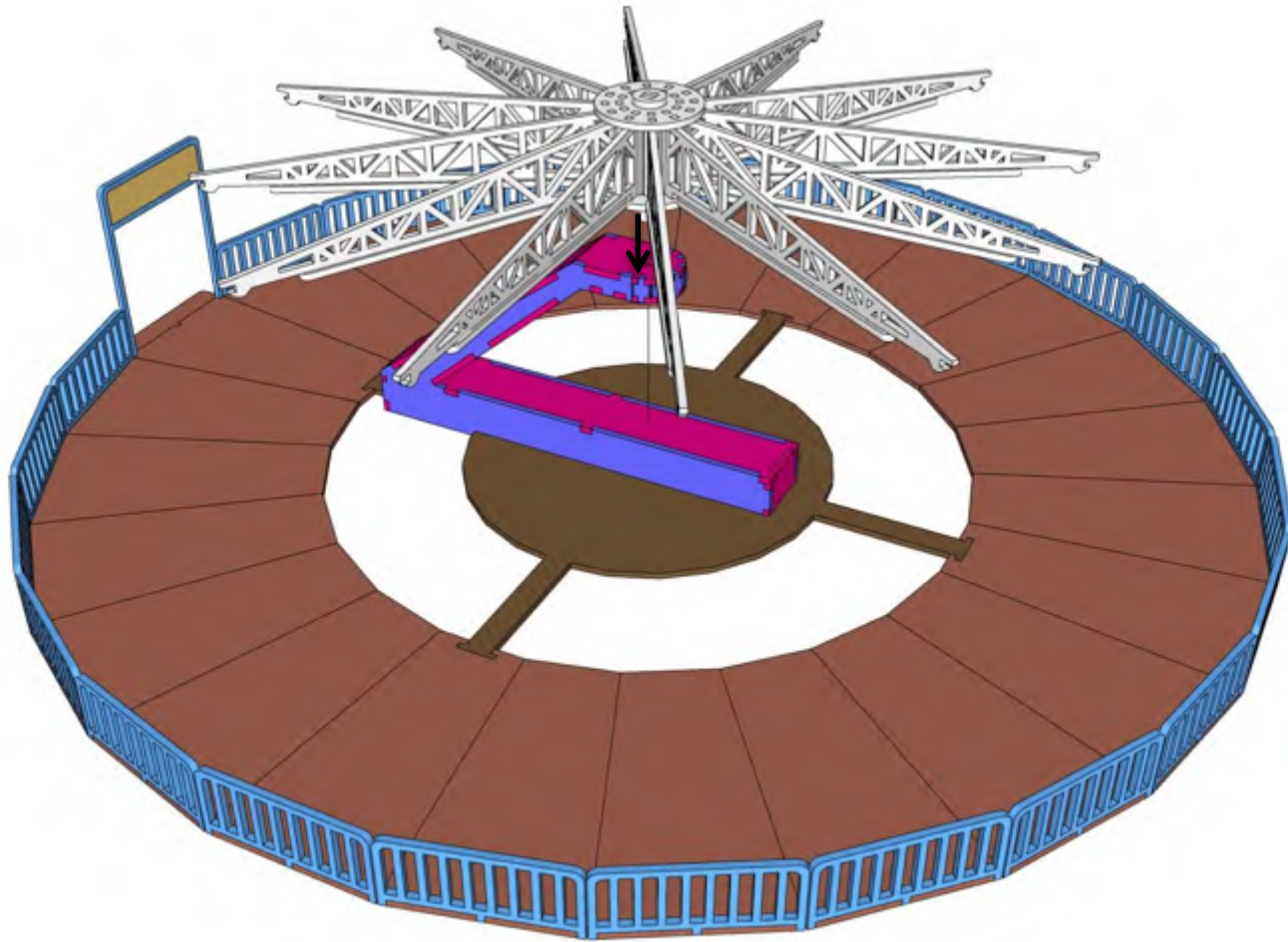
ASSEMBLY STEPS



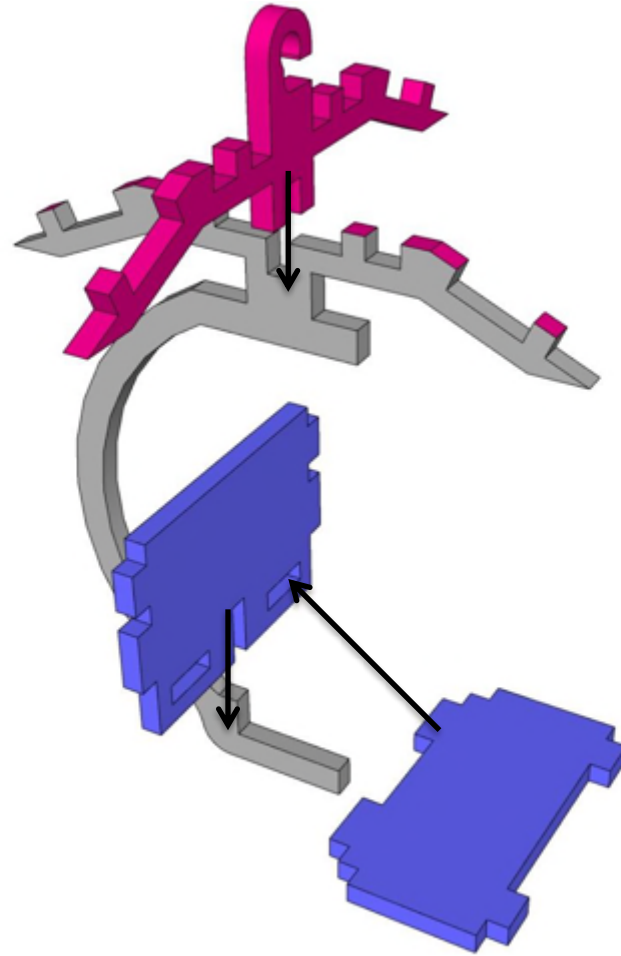
ASSEMBLY STEPS



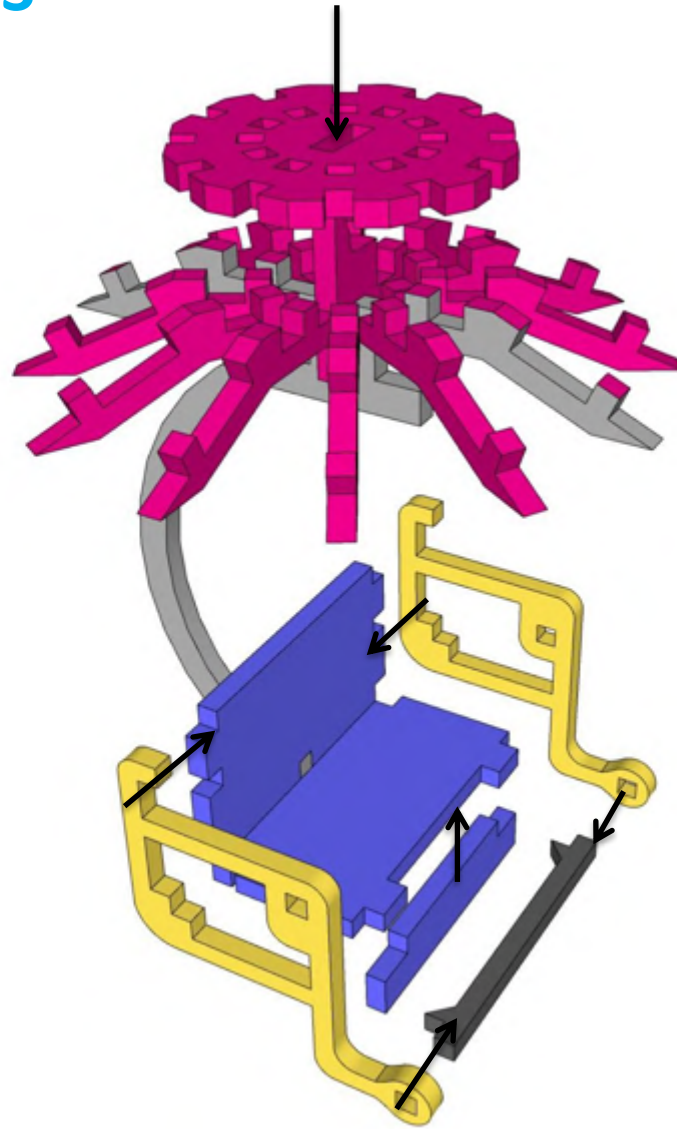
ASSEMBLY STEPS



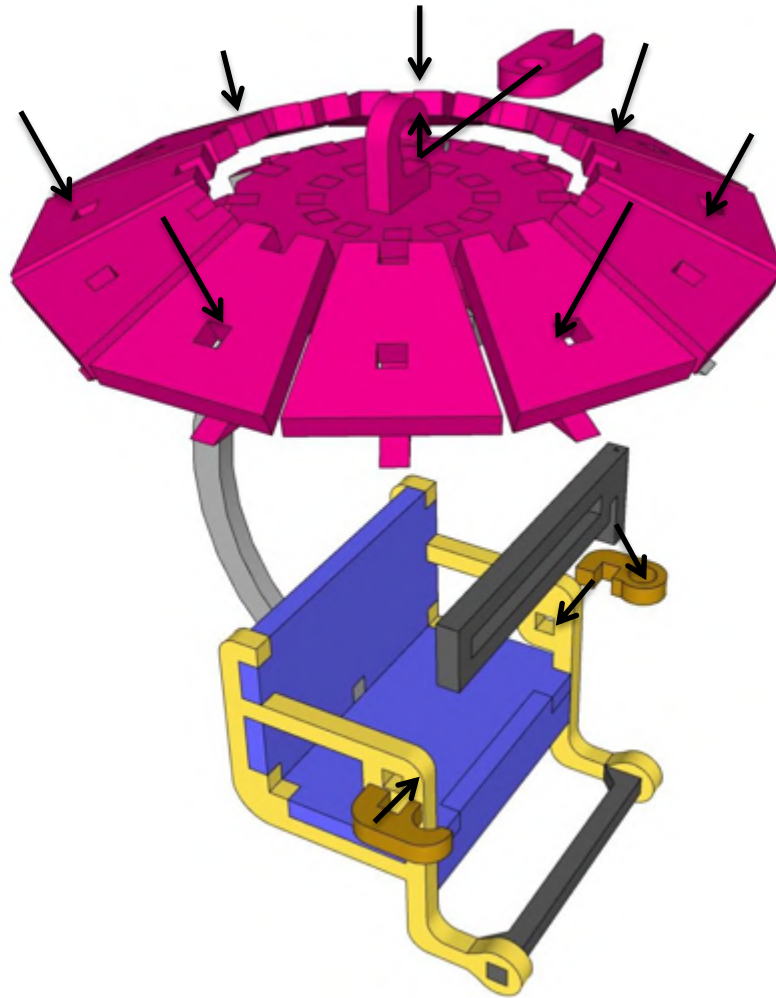
ASSEMBLY STEPS



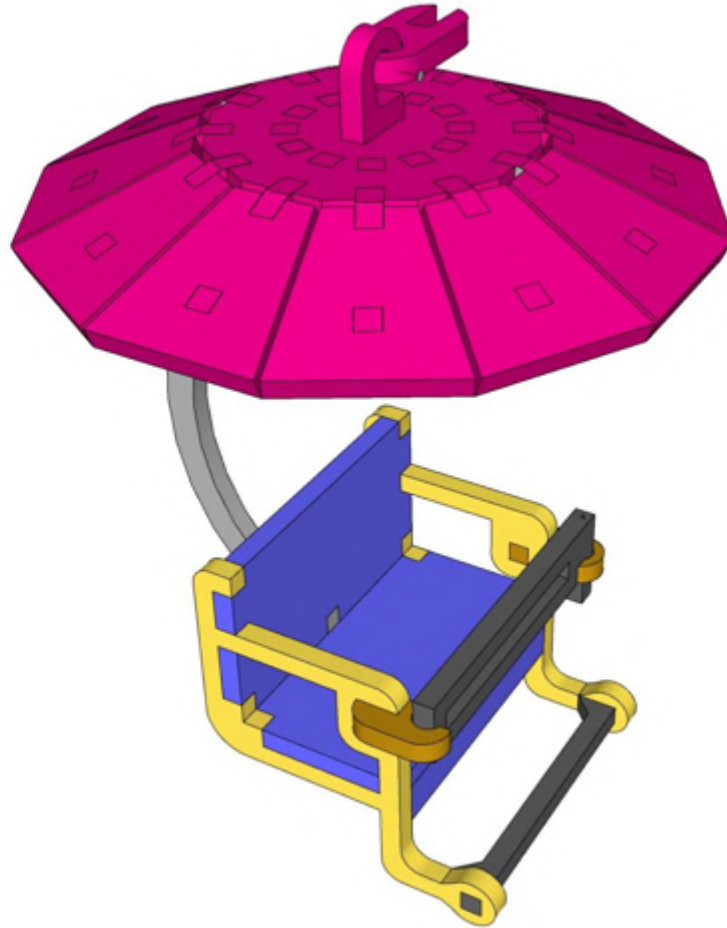
ASSEMBLY STEPS



ASSEMBLY STEPS



ASSEMBLY STEPS



FINAL



FINAL



FINAL

